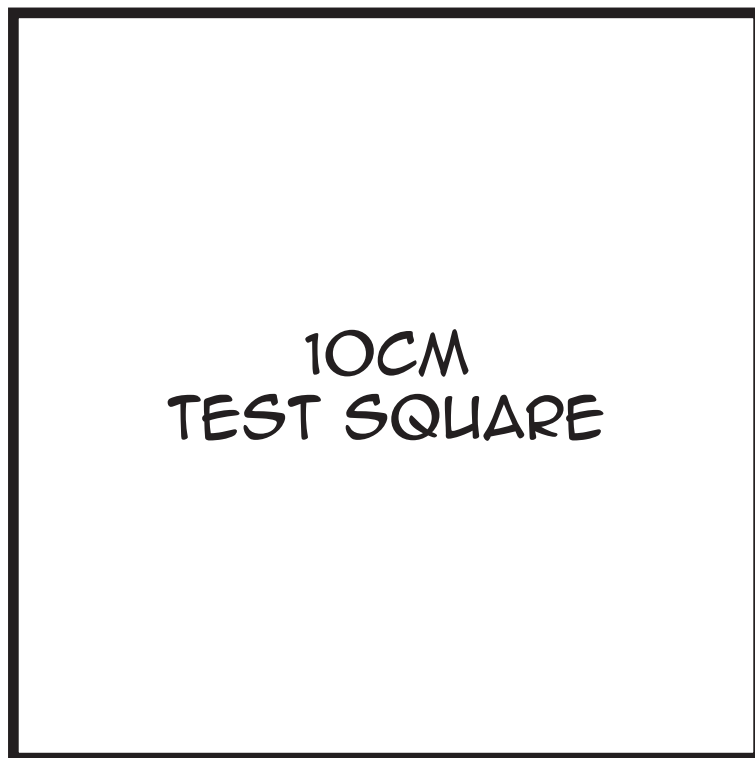
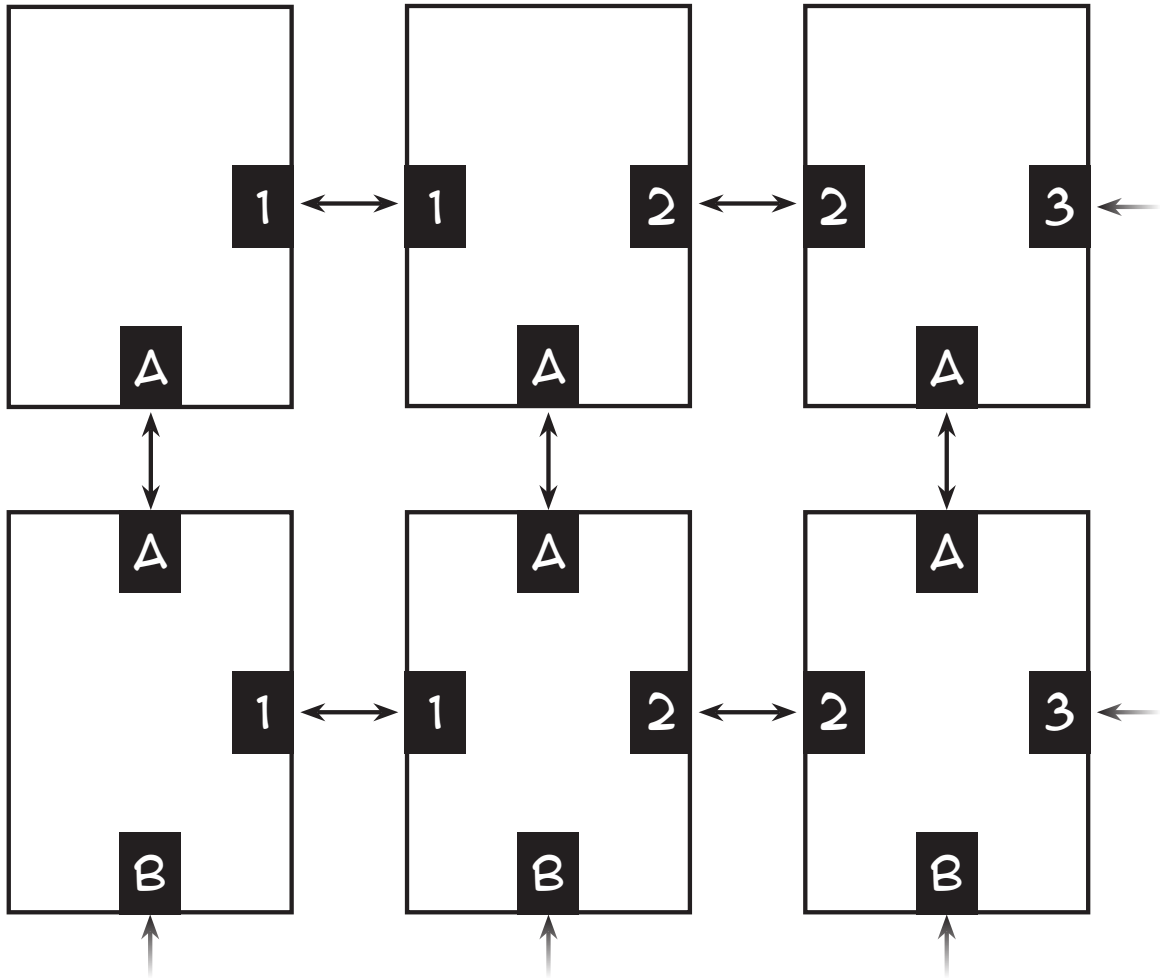
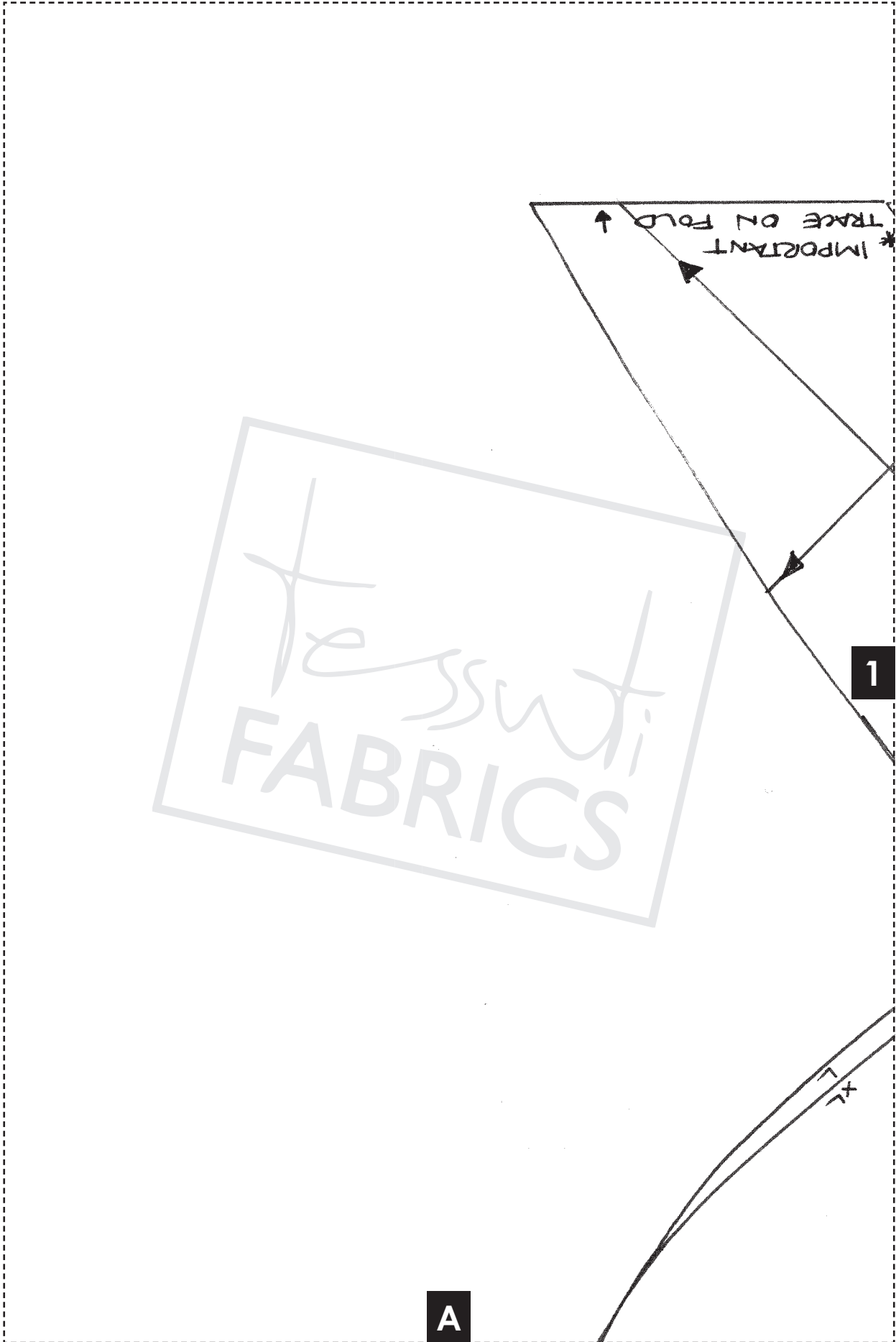


LAYOUT GUIDE





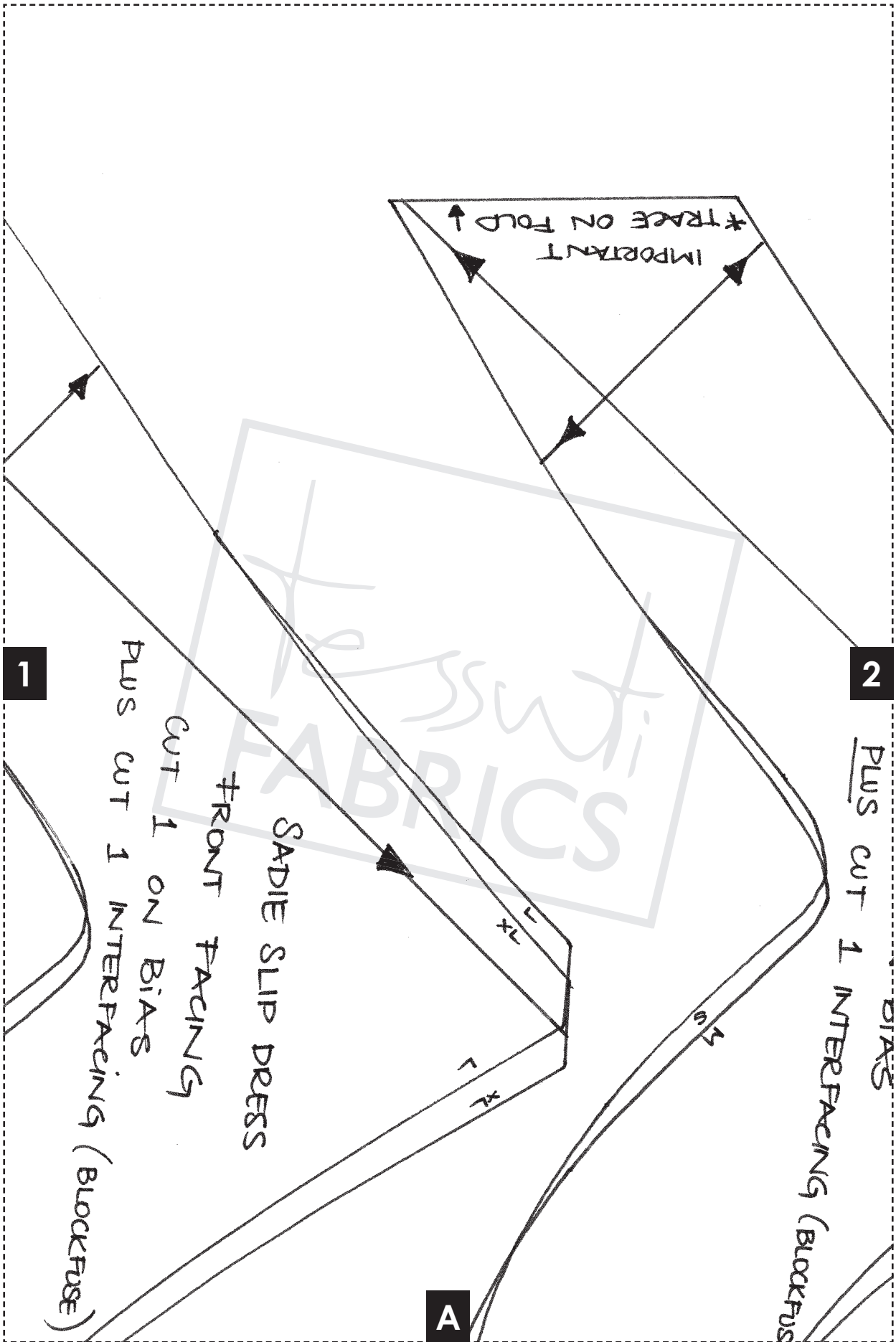
* IMPORTANT
* TRACE ON FOLD ↑

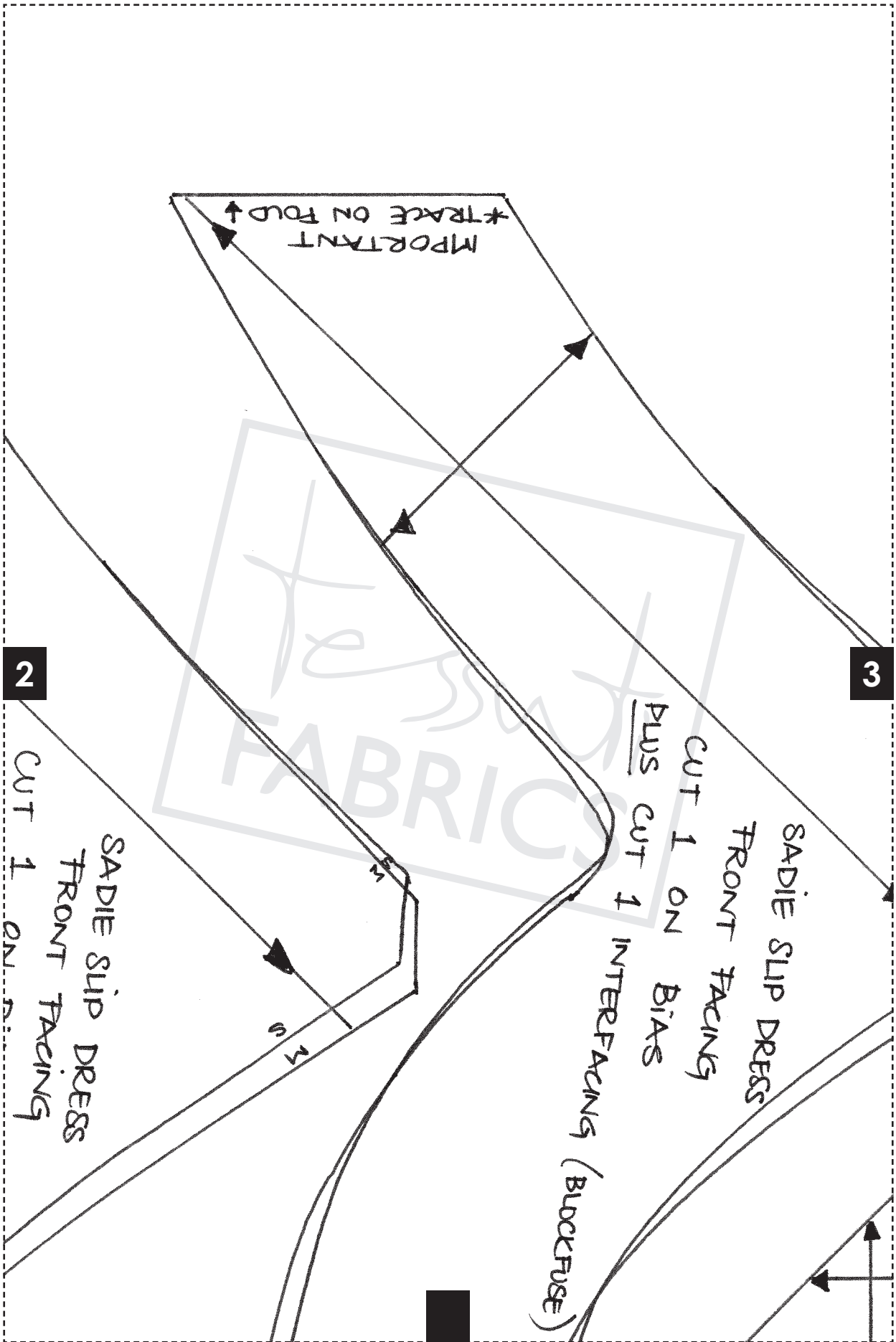
1

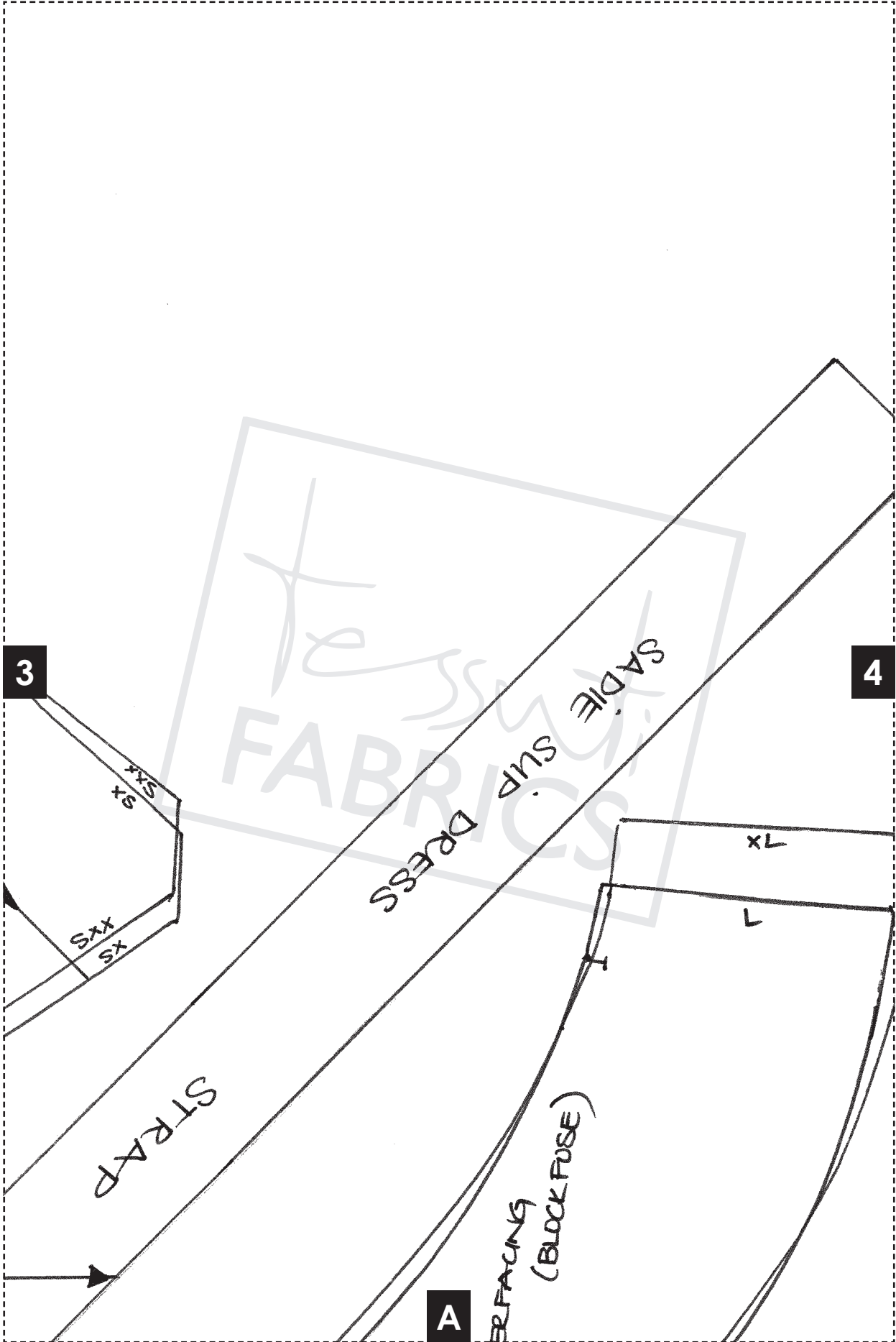
A

The Sewti
FABRICS

7
7+







3

4

A

FABRICS

SADIE SLIP DRESS

STRAP

LINING (BLOCK FUSE)

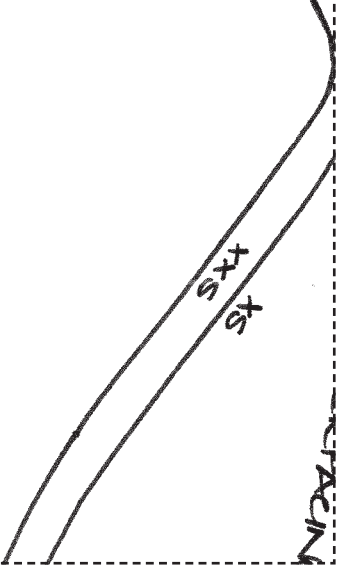
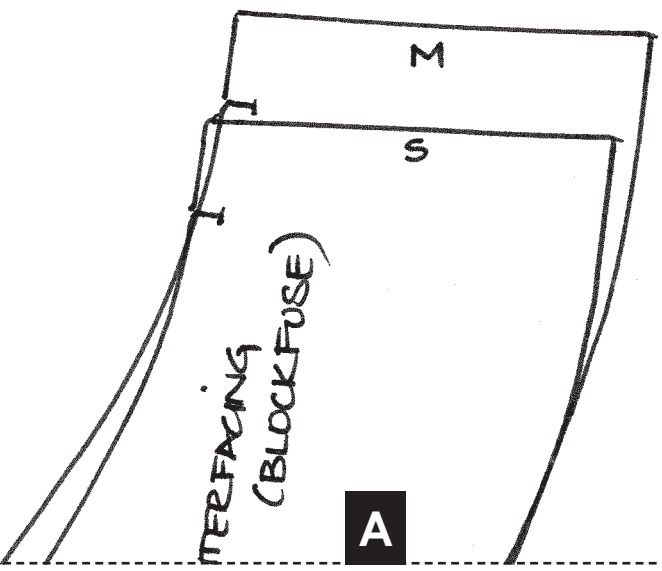
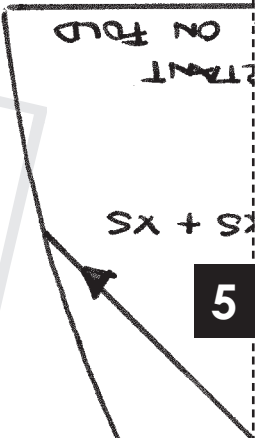
XS
XS
XS
XS

XL
L

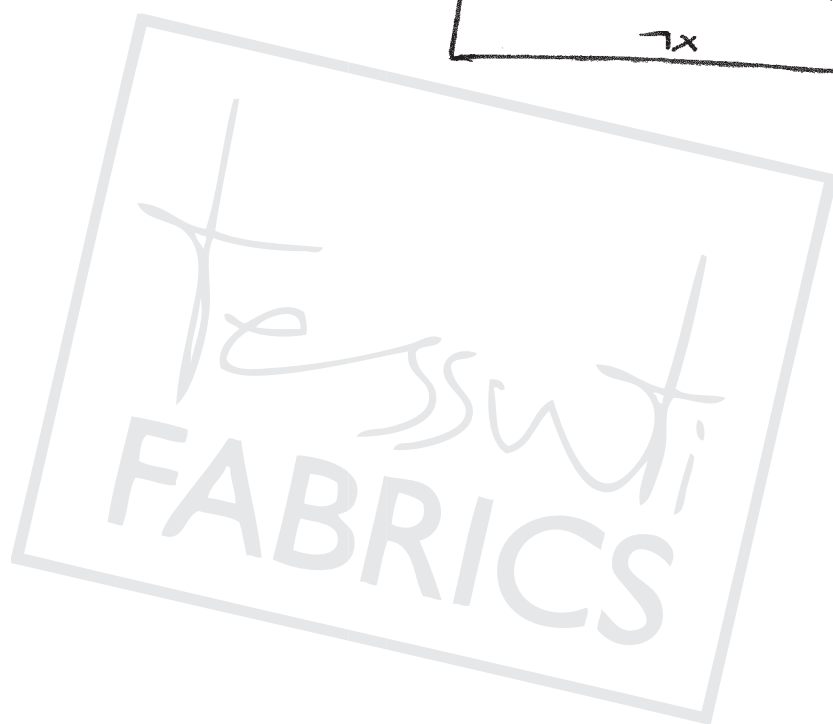
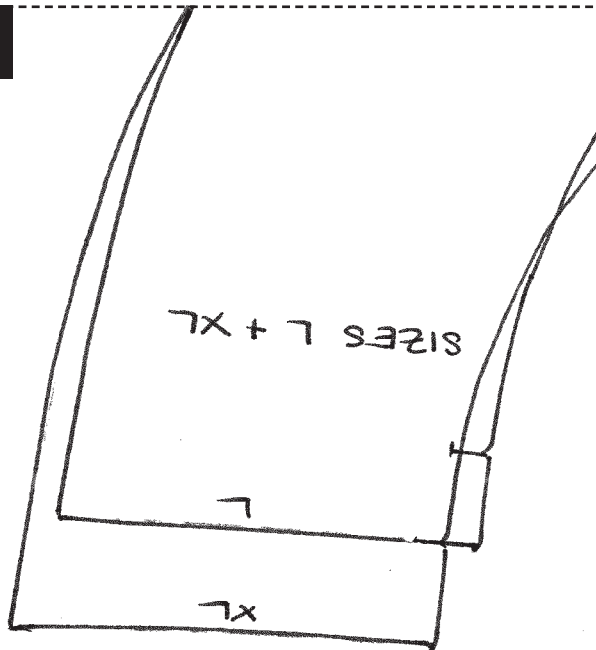
4



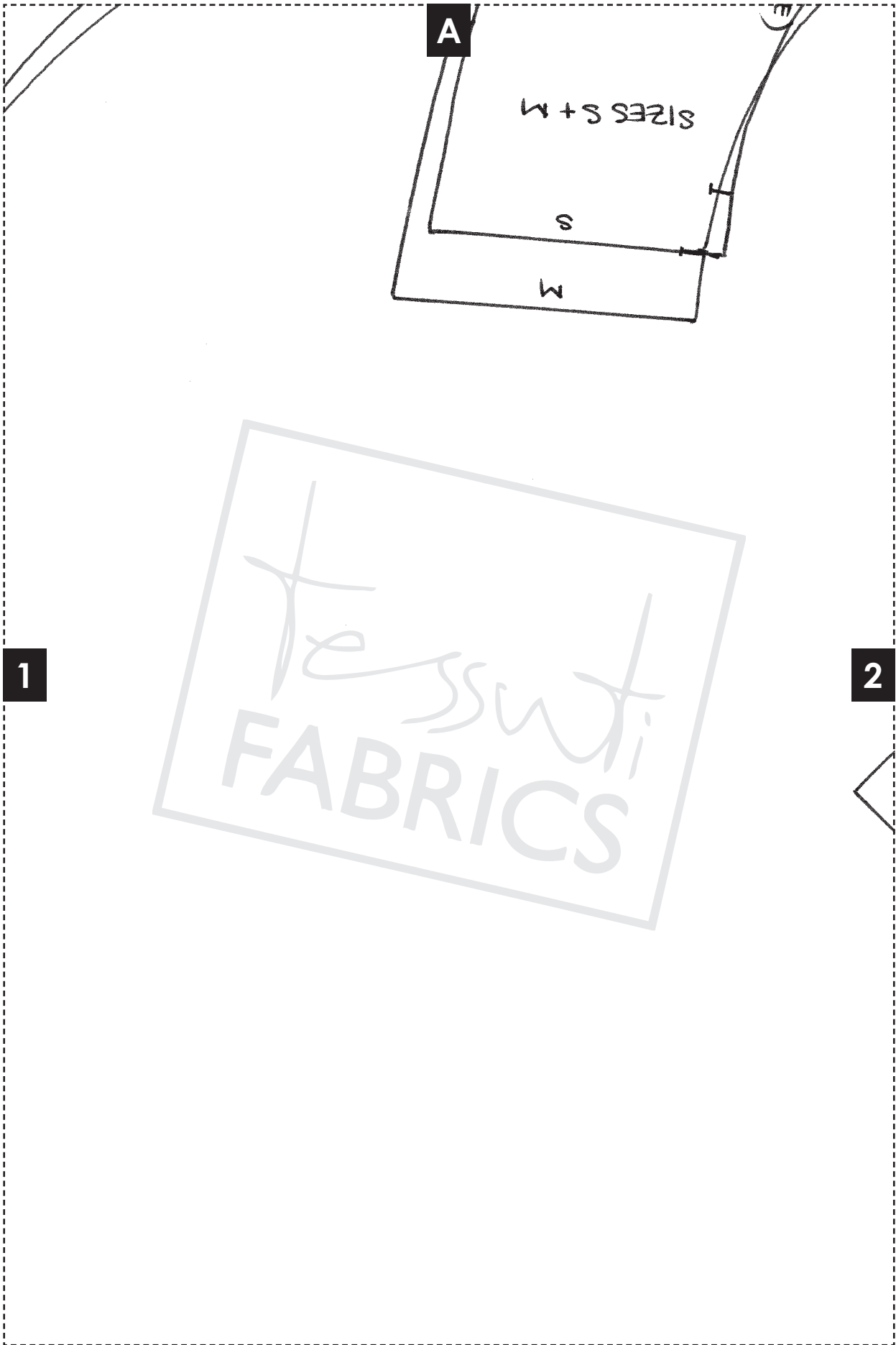
5



A



1



A

SIZES S + M

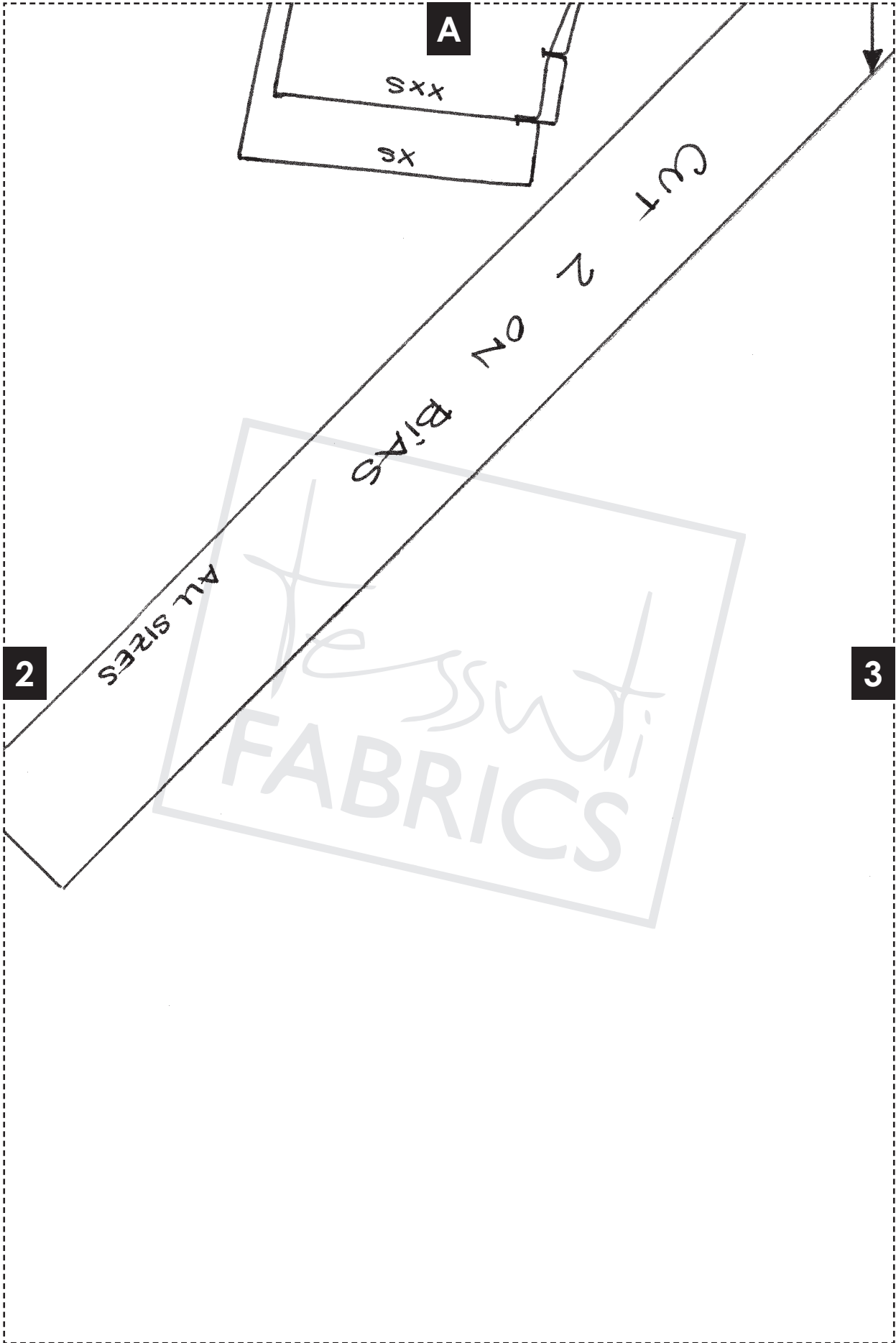
S

W

1

2

the sewti
FABRICS



A

SxX

Sx

CUT 2 ON BIAS

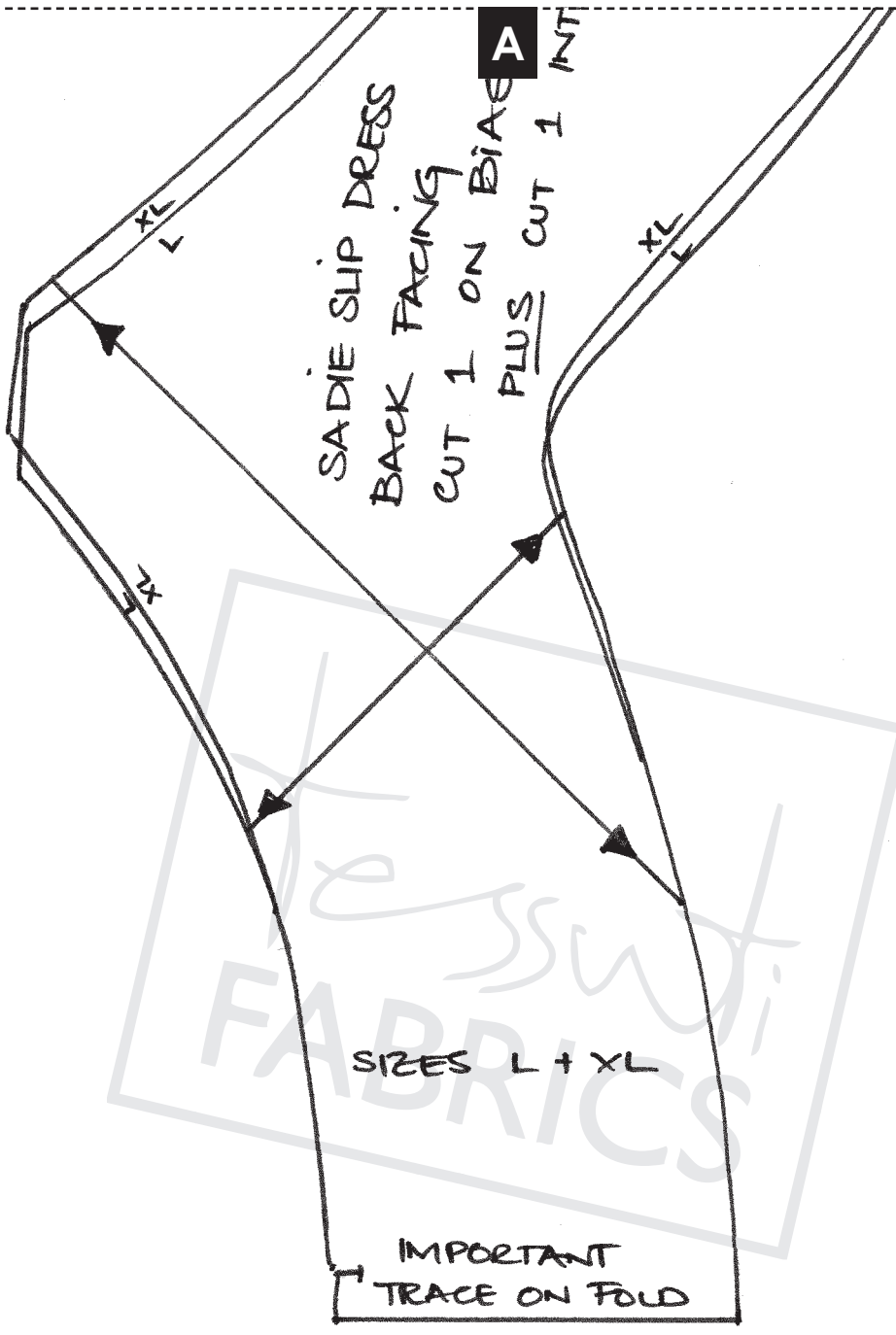
ALL SIZES

2

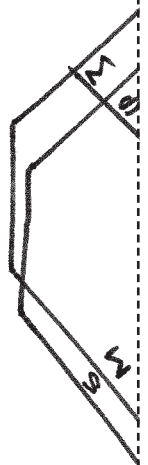
3

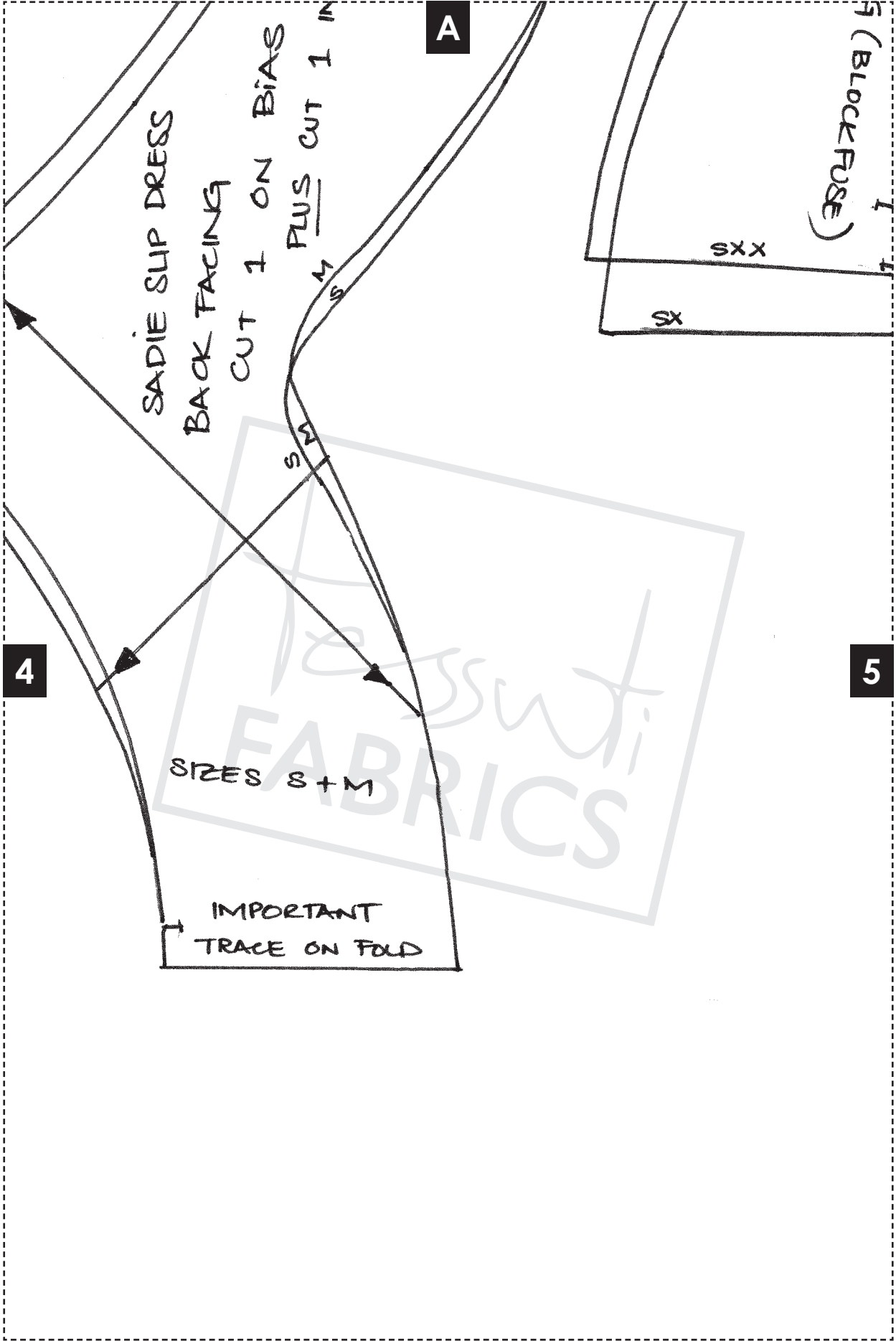
The Sewing
FABRICS

3



4





A

5

