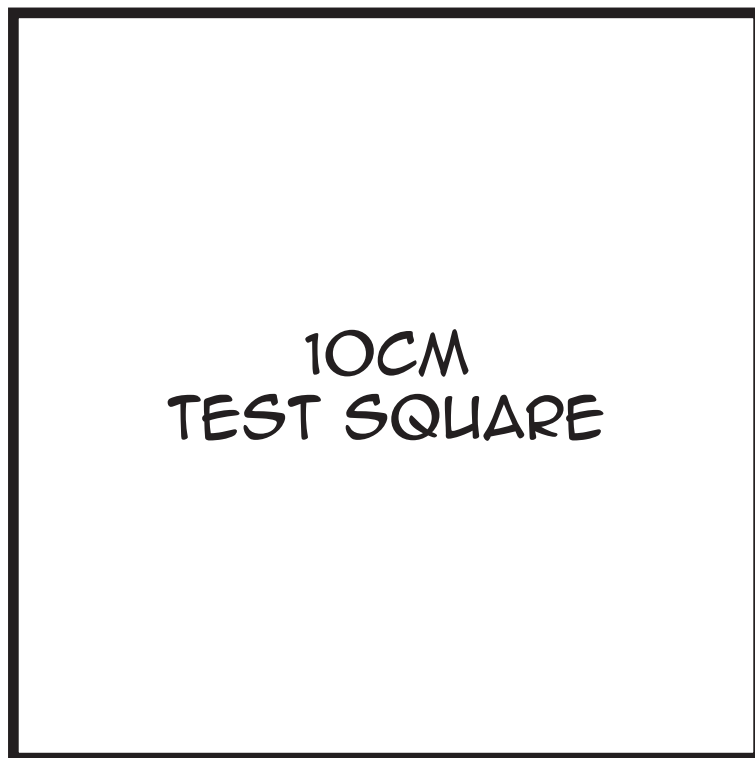
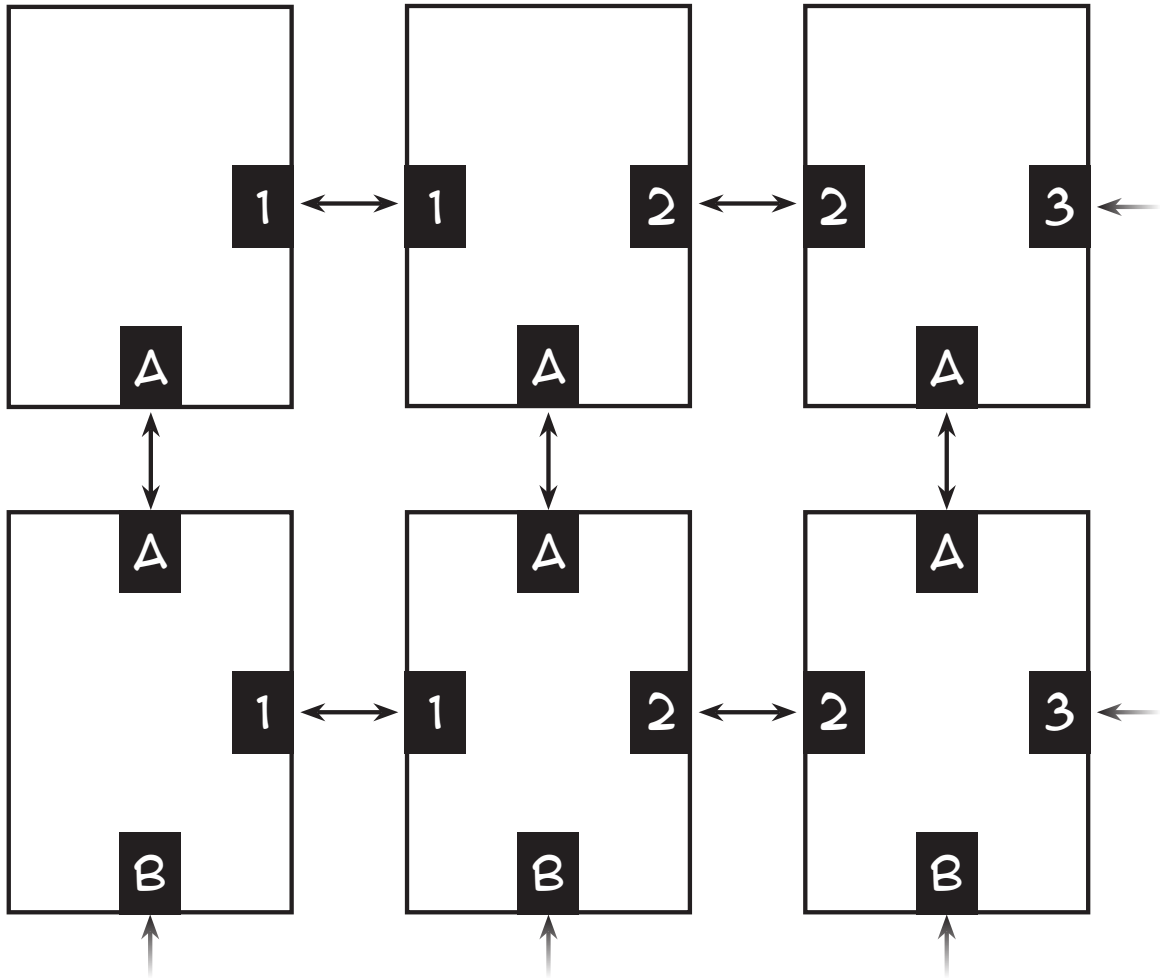
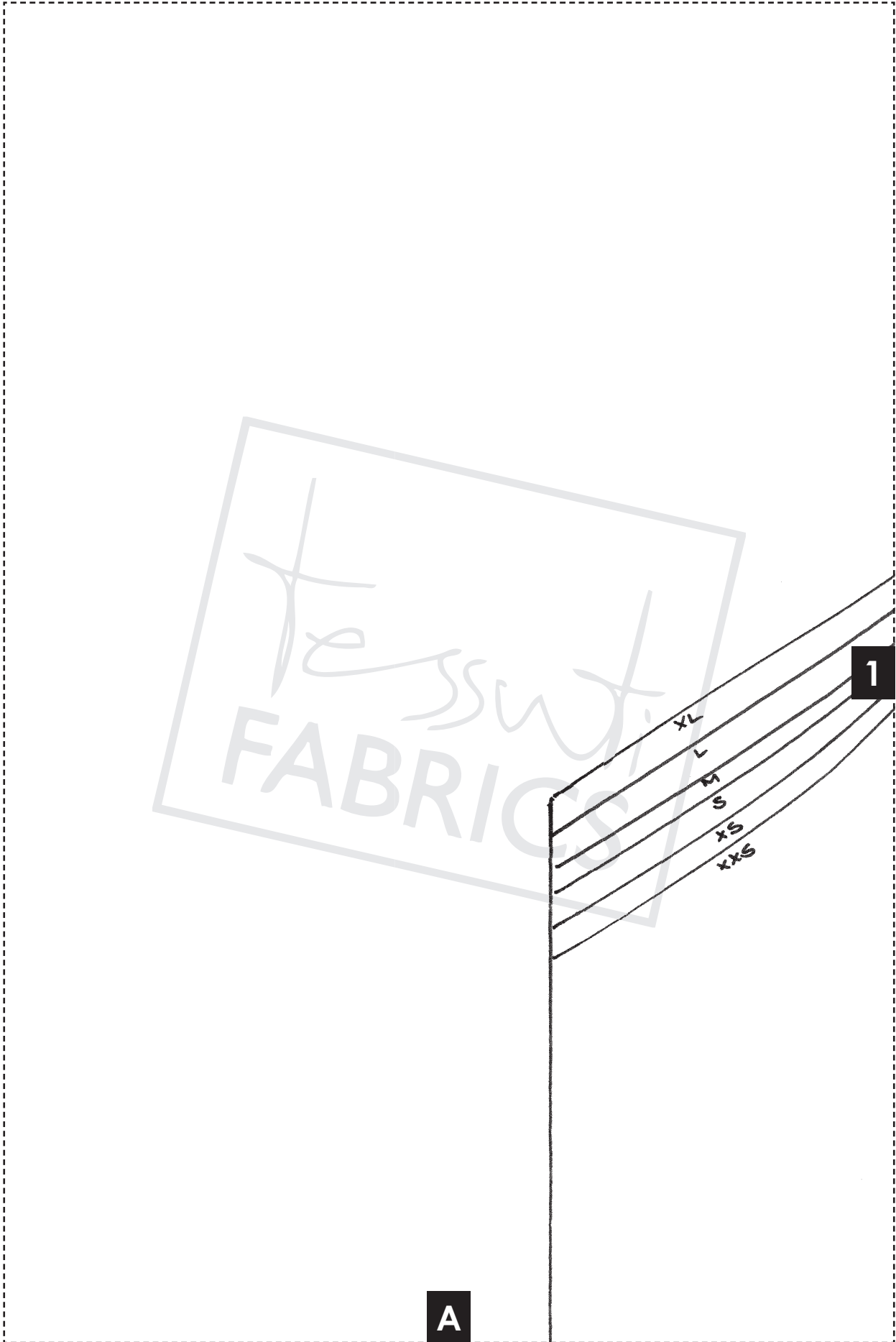


LAYOUT GUIDE



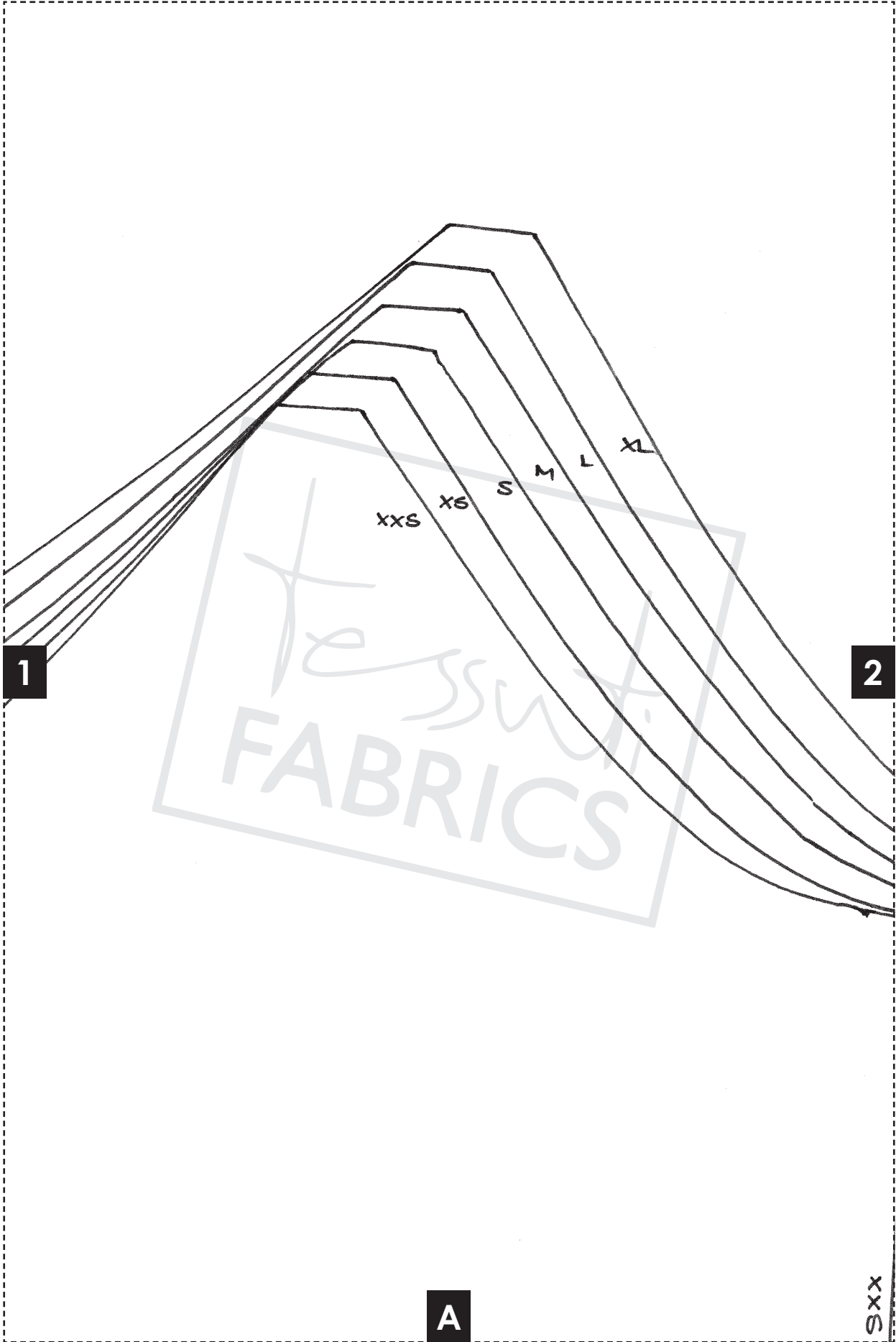


The Sewing
FABRICIST

A

1

XL
L
M
S
XS
XXS



1

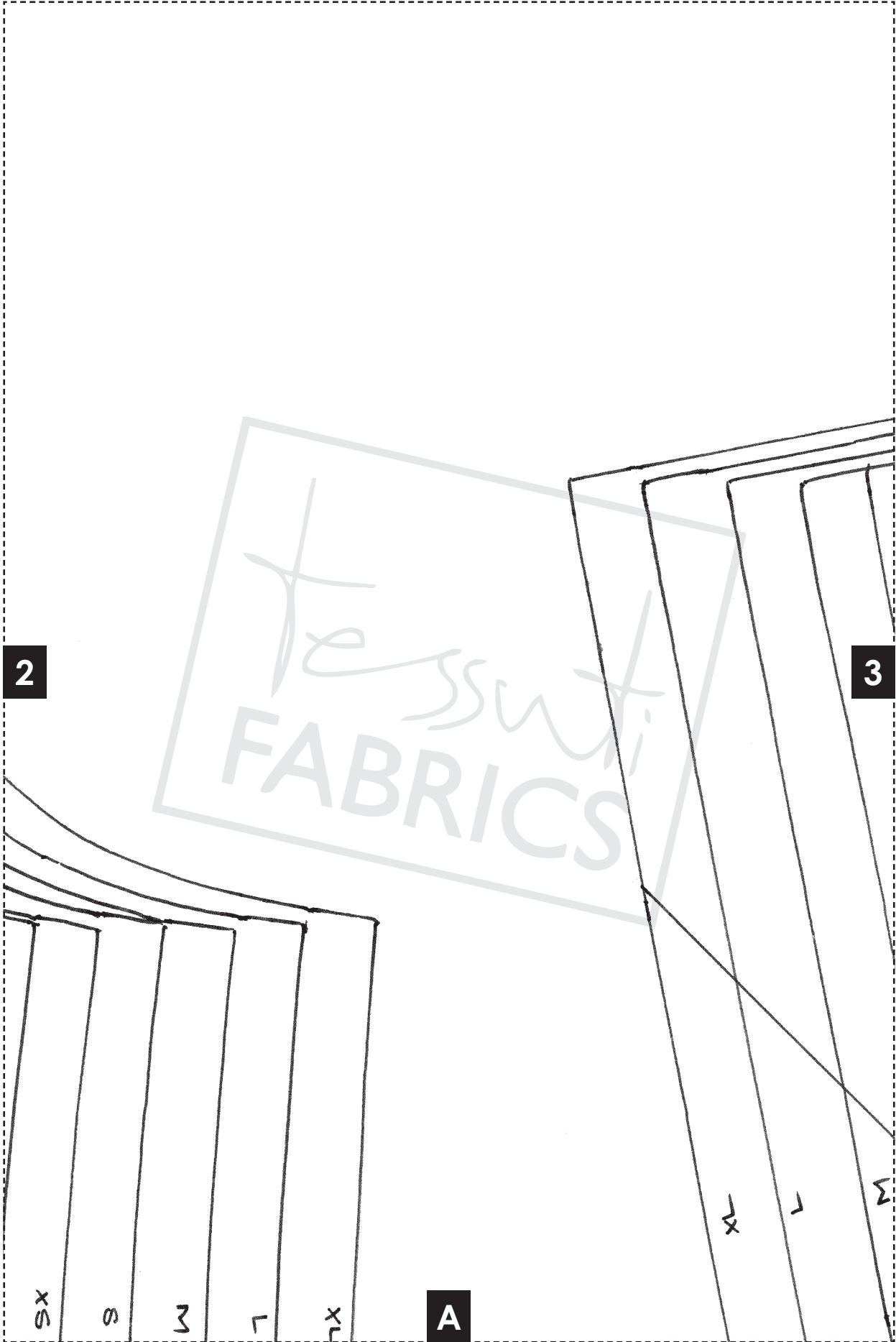
2

A

Sxx

The Sewing
FABRICS

xxs xs s m l xl



2

3

A

XS

S

M

L

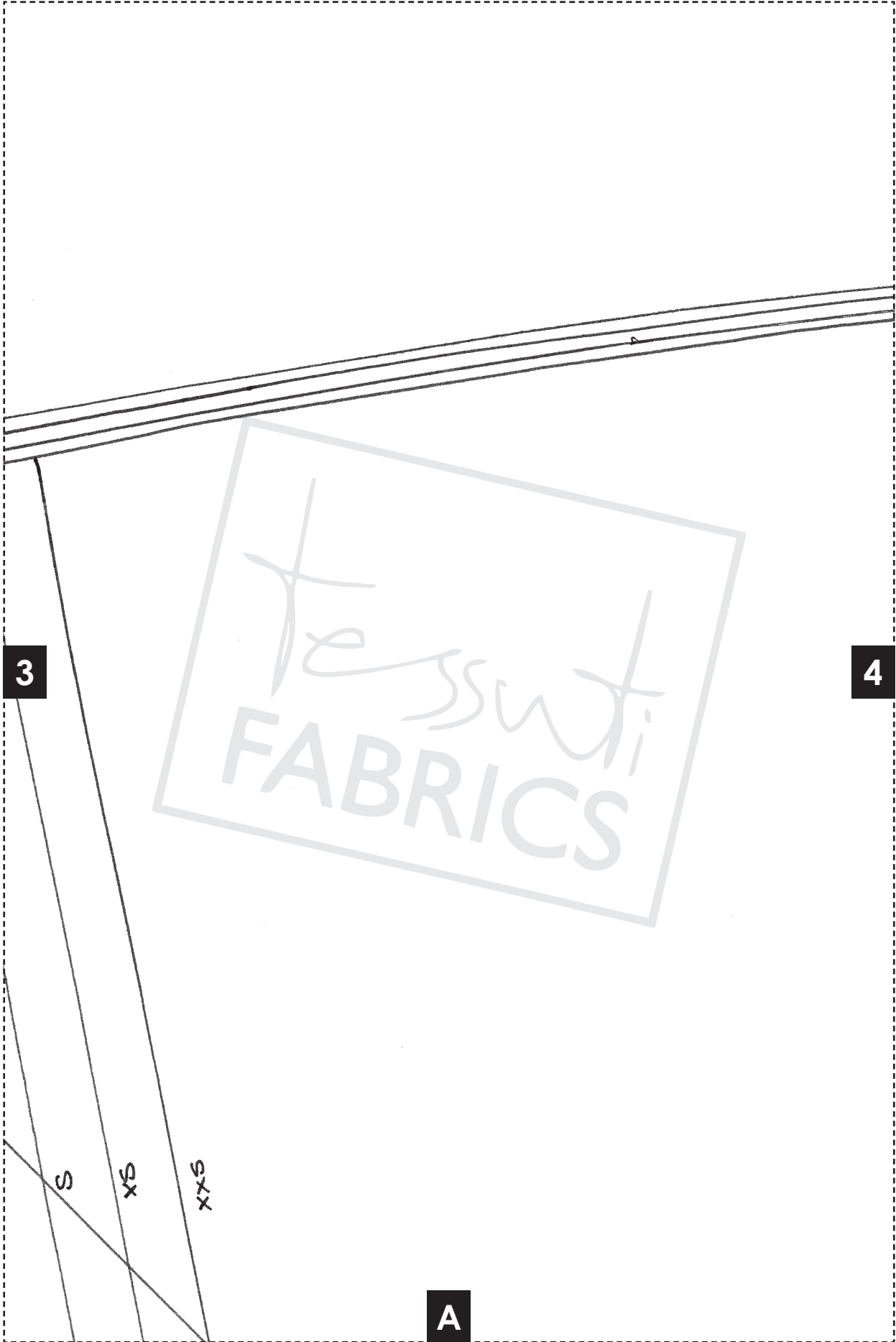
XL

X

L

Σ

The Sewing
FABRICS



3

4

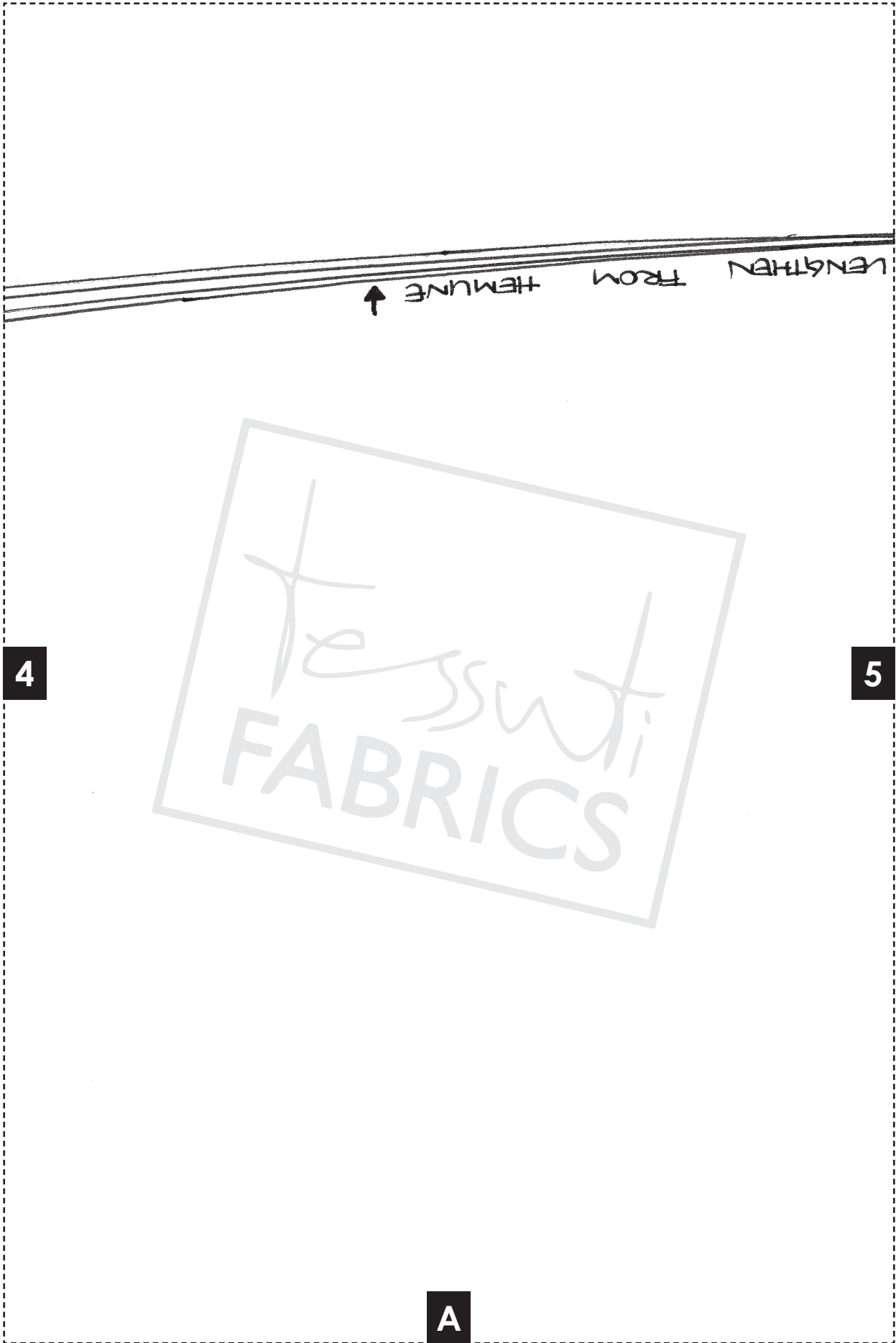
S

XS

XXXS

A

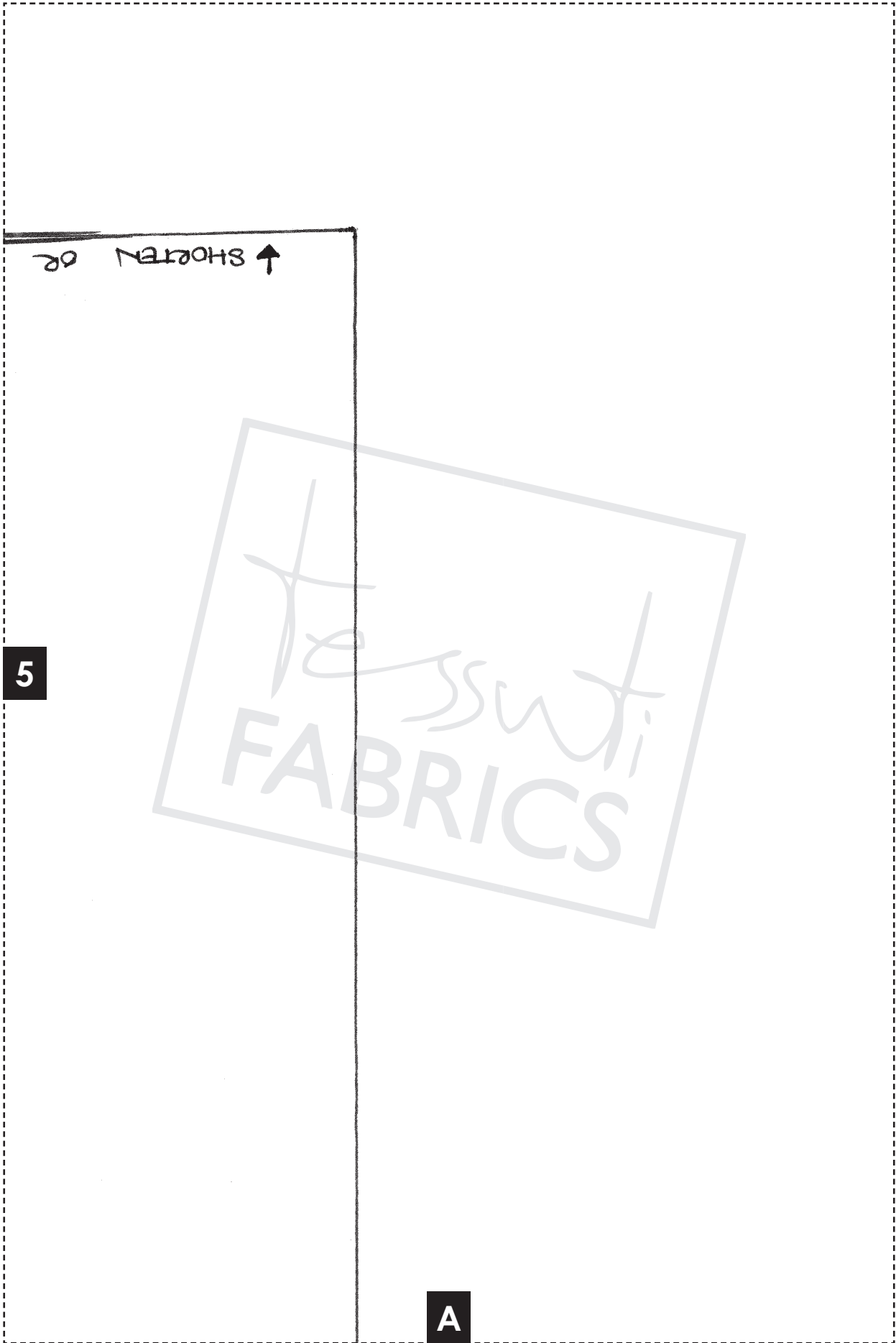
The Sewti
FABRICS



4

5

A



↑ SHORTEN OR

5

The Sewti
FABRICS

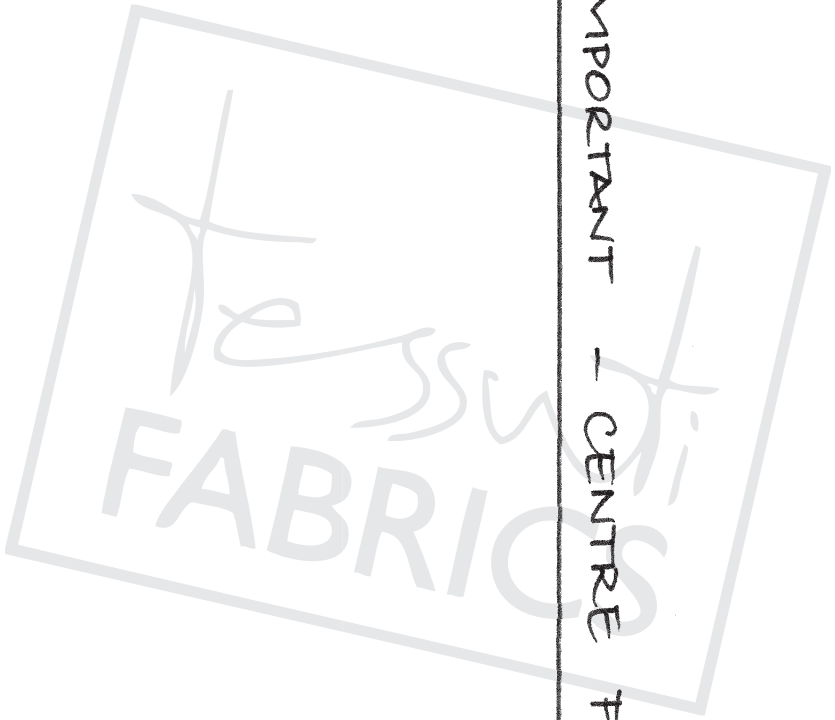
A

A

* IMPORTANT - CENTRE FRONT - TRACE

B

1



A

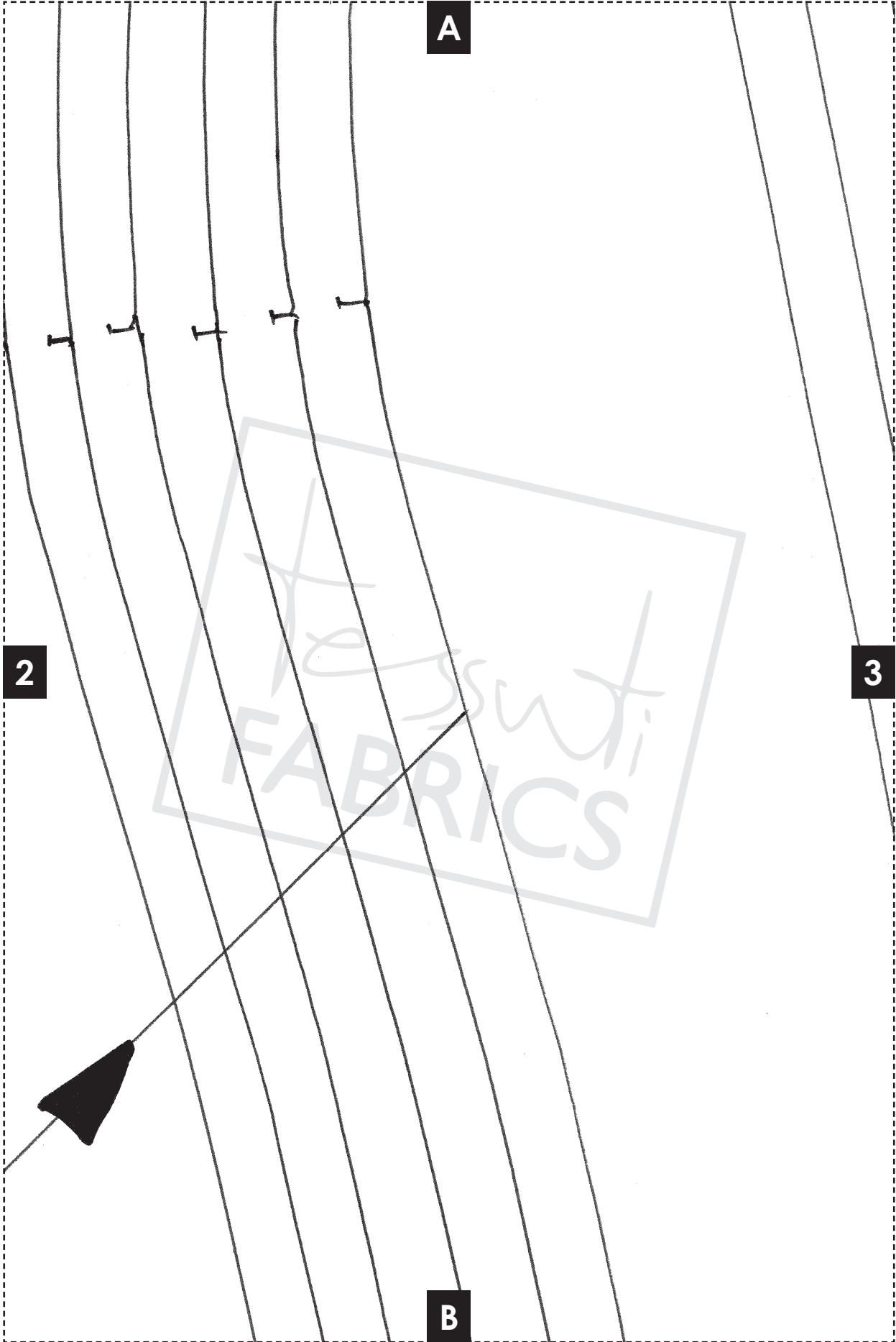
1

2



B

GERMANY



A

2

3

B

The Sewing
FABRICS

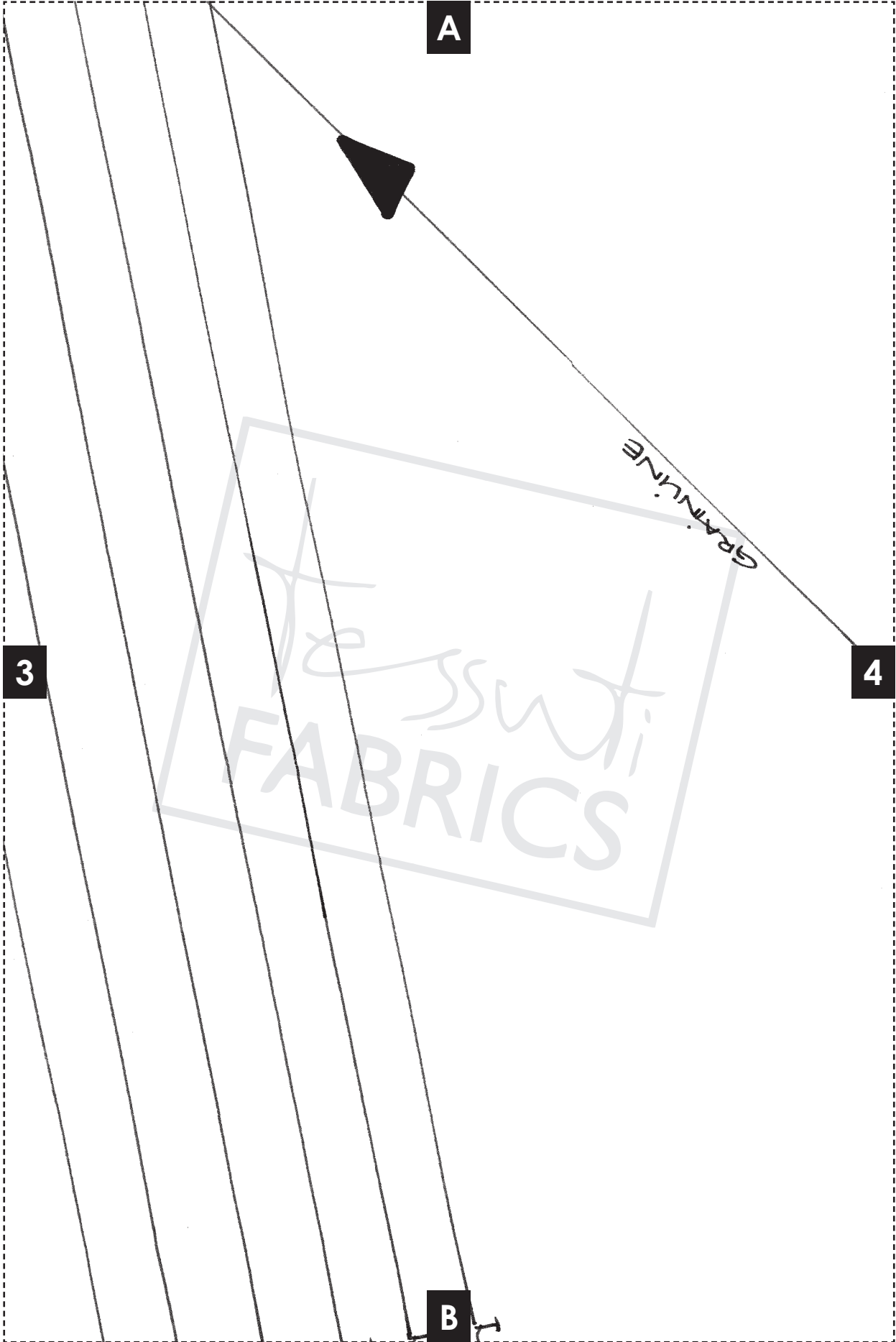
1

2

3

4

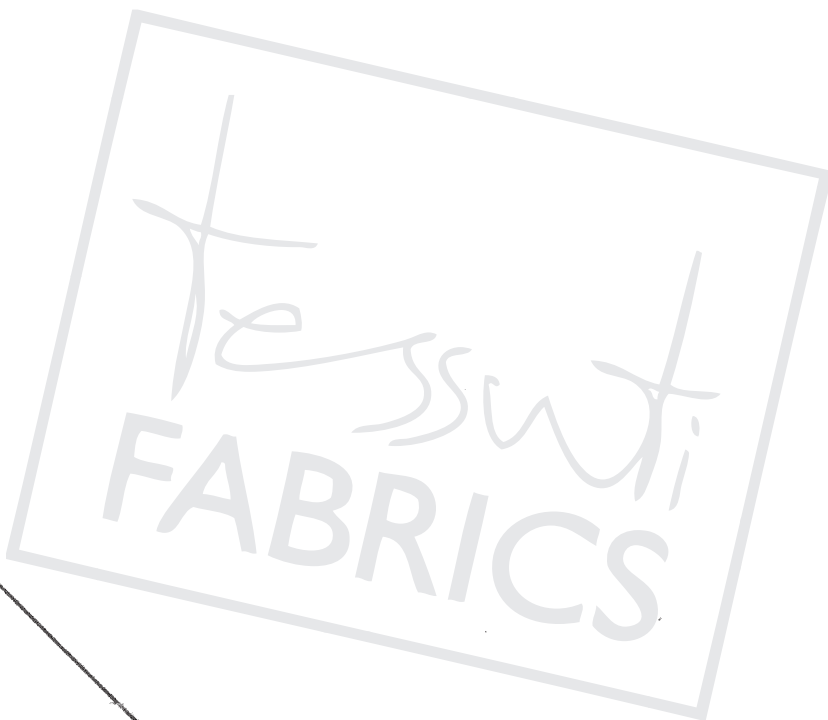
5



A

4

5



SS

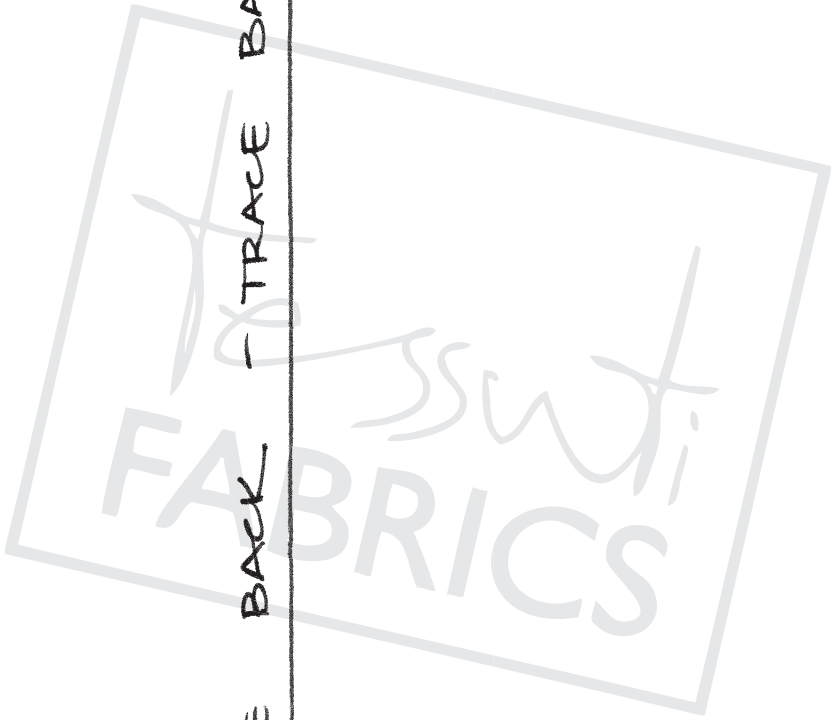
B

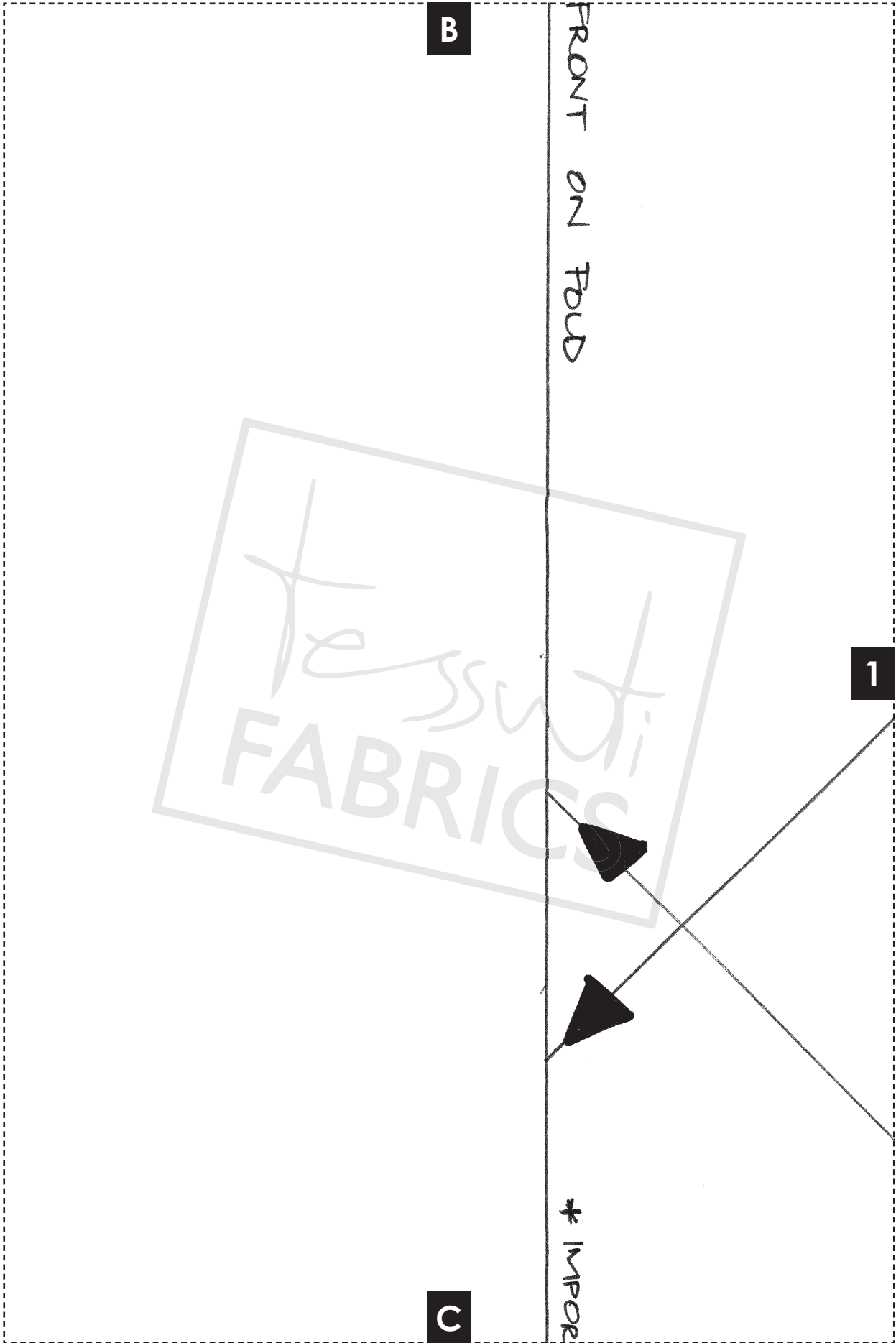
5

RTANT - CENTRE BACK - TRACE BACK ON FOLD

A

B





B

FRONT ON FOLD

The Sewing
FABRICS

1

* IMPOR

C

2

SADIE SUP DRESS

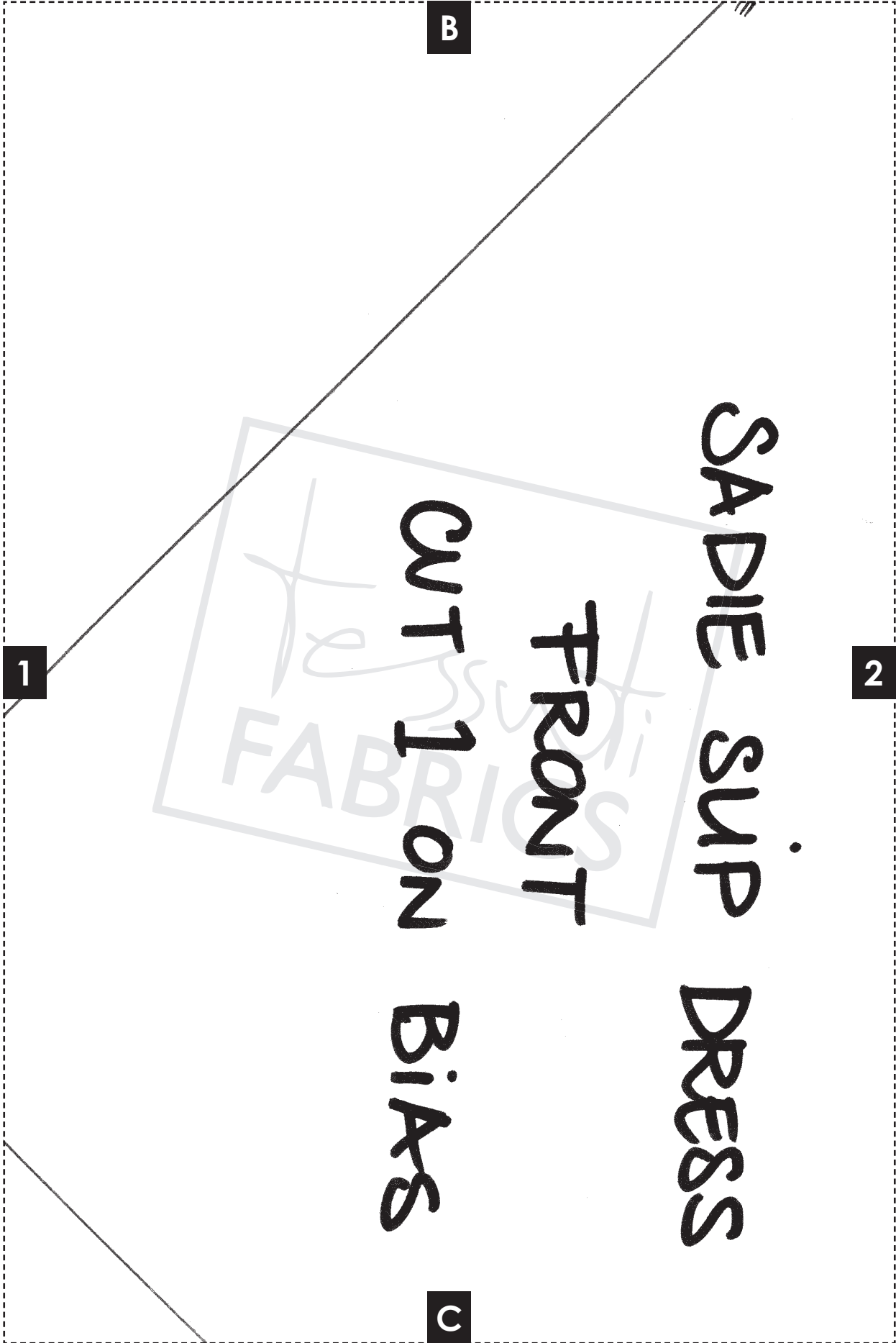
FRONT

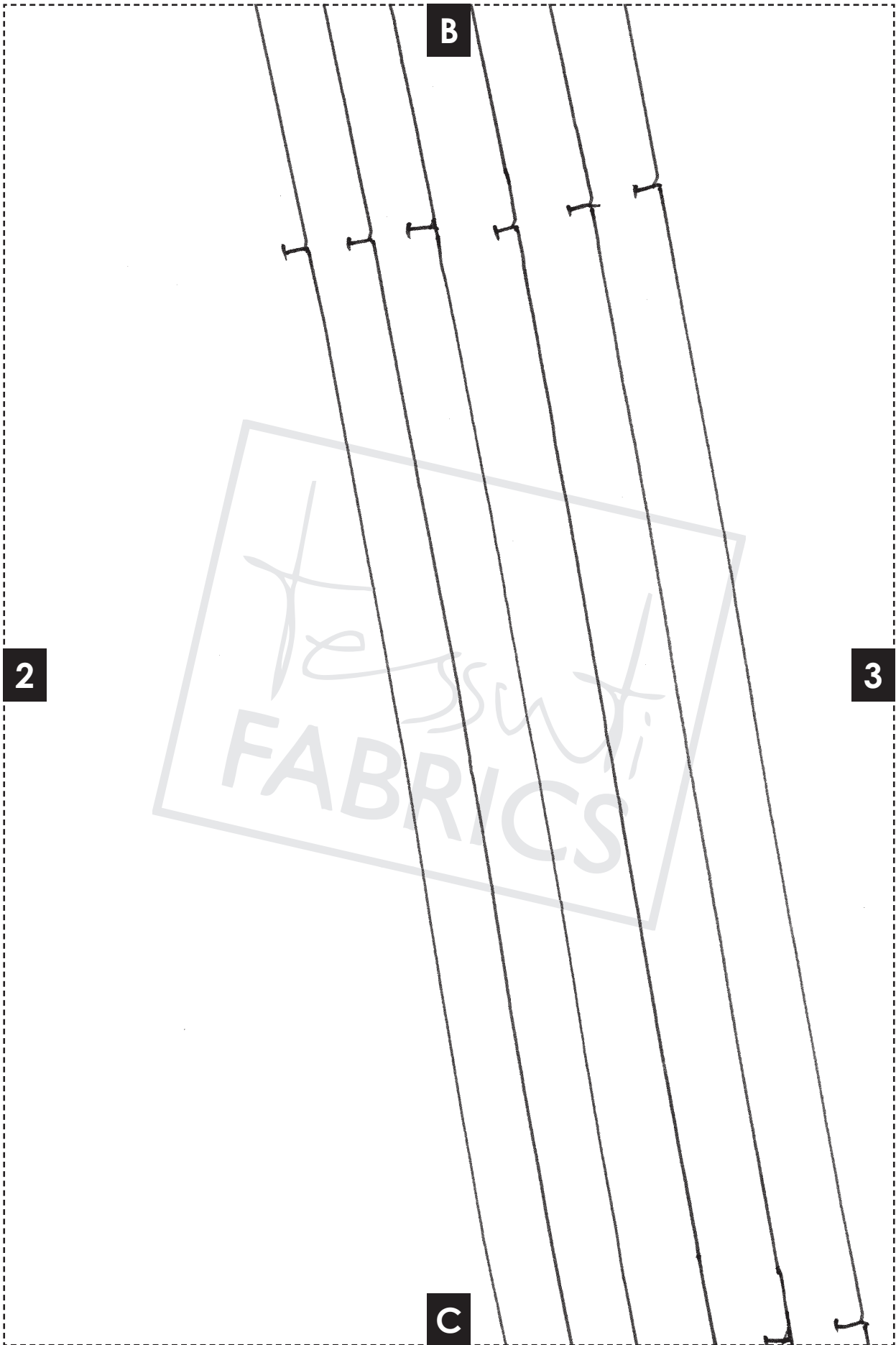
CUT 1 on BIAS

B

1

C





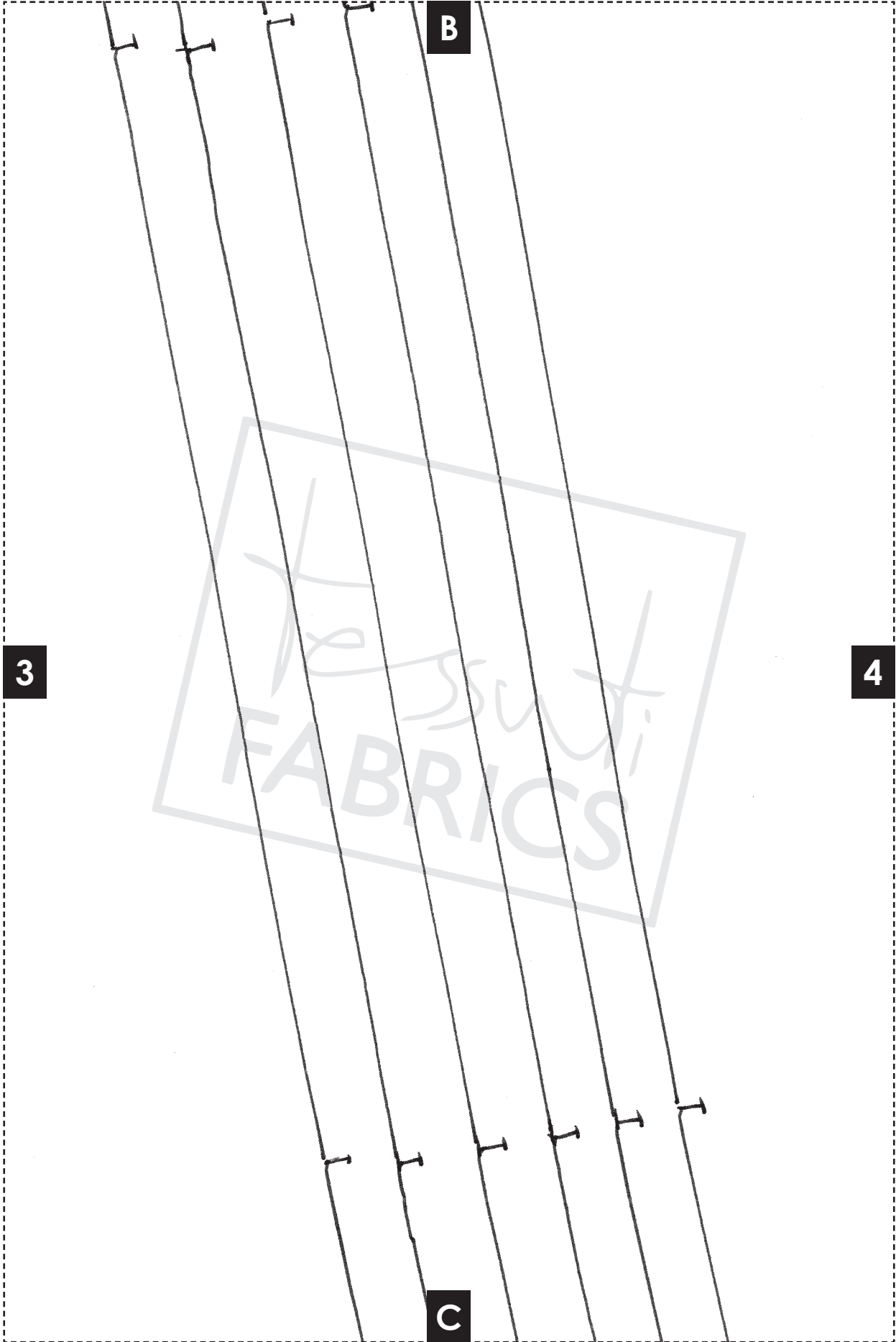
2

3

B

C

The Sewing
FABRICS



4

SADIE SLIP DRESS

BACK

CUT 1 ON BIAS

B

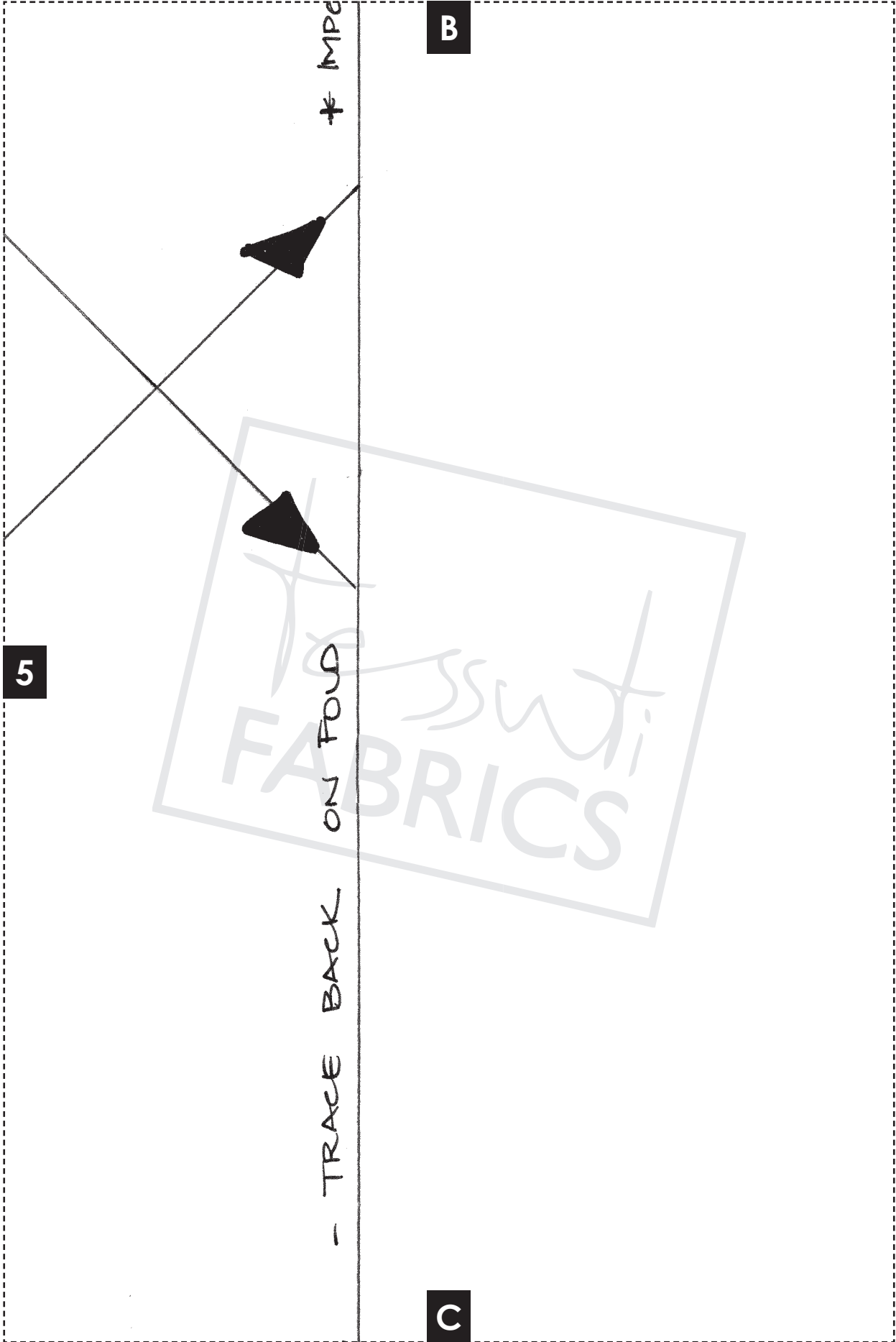
5

GRAINLINE

C

NOTE:
BACK DARTS OPTIONAL





5

B

C

* MPD

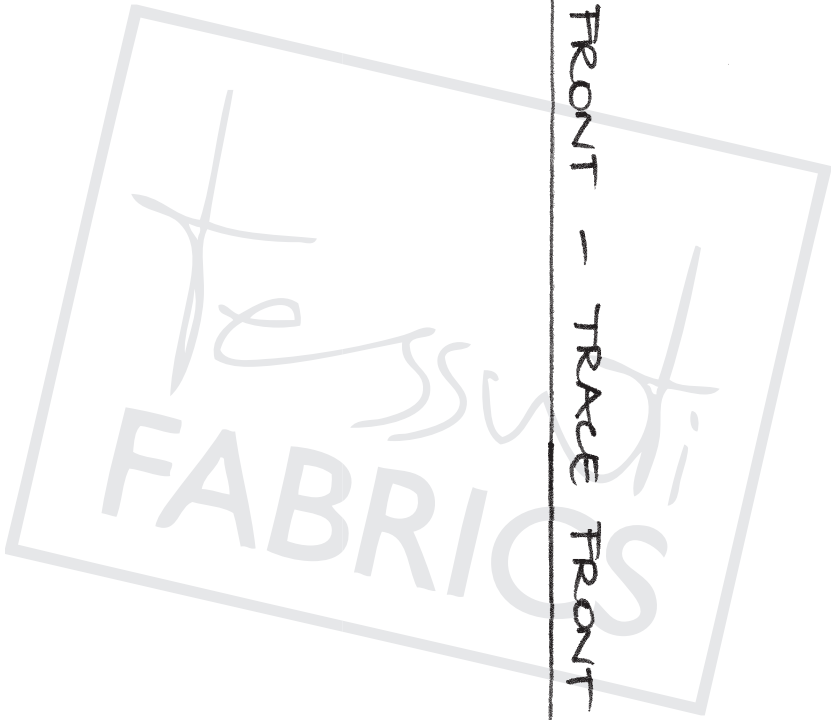
- TRACE BACK ON FOLD

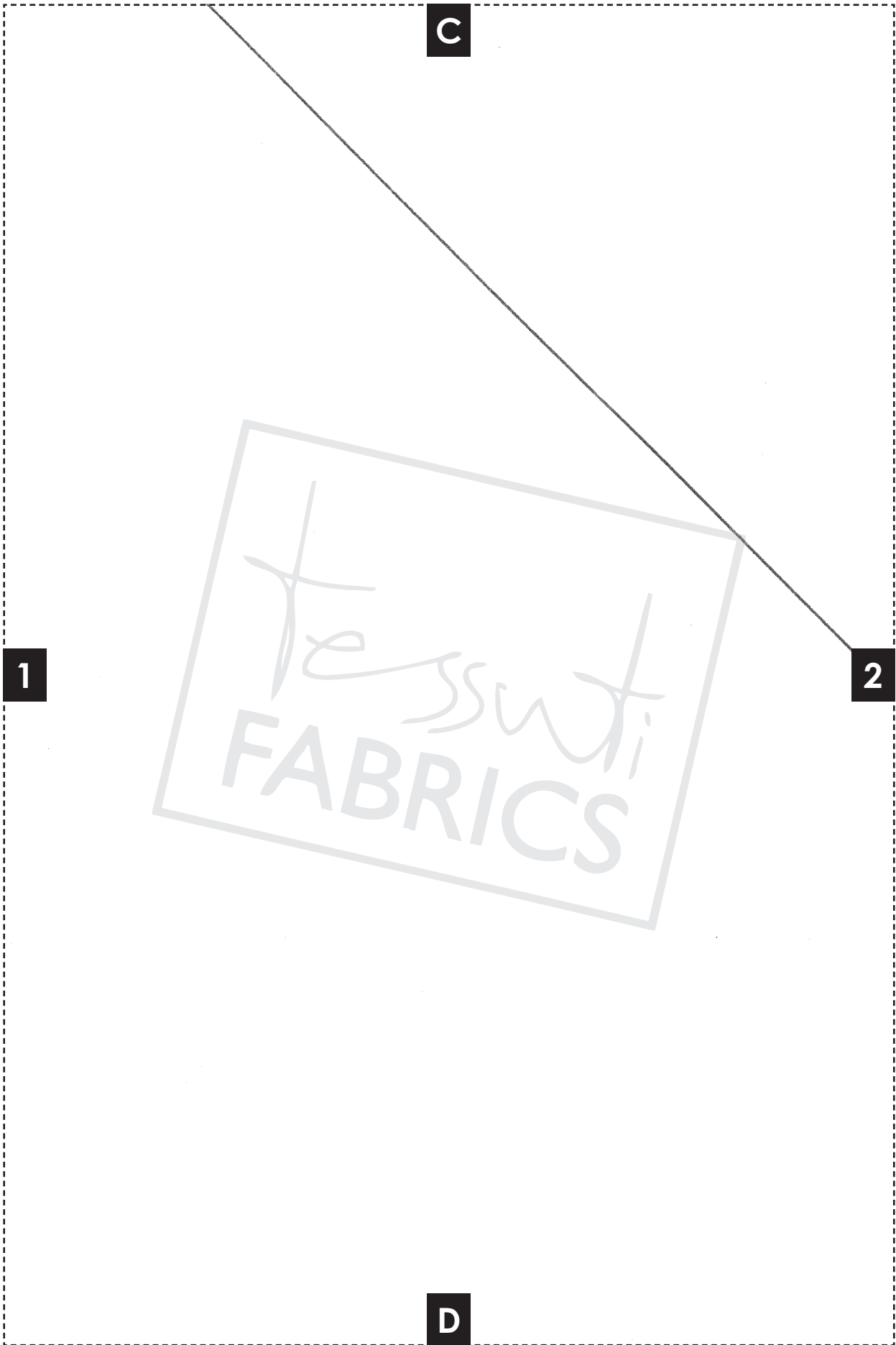
Sew It
FABRICS

TANT - CENTRE FRONT - TRACE FRONT ON POU

C

D



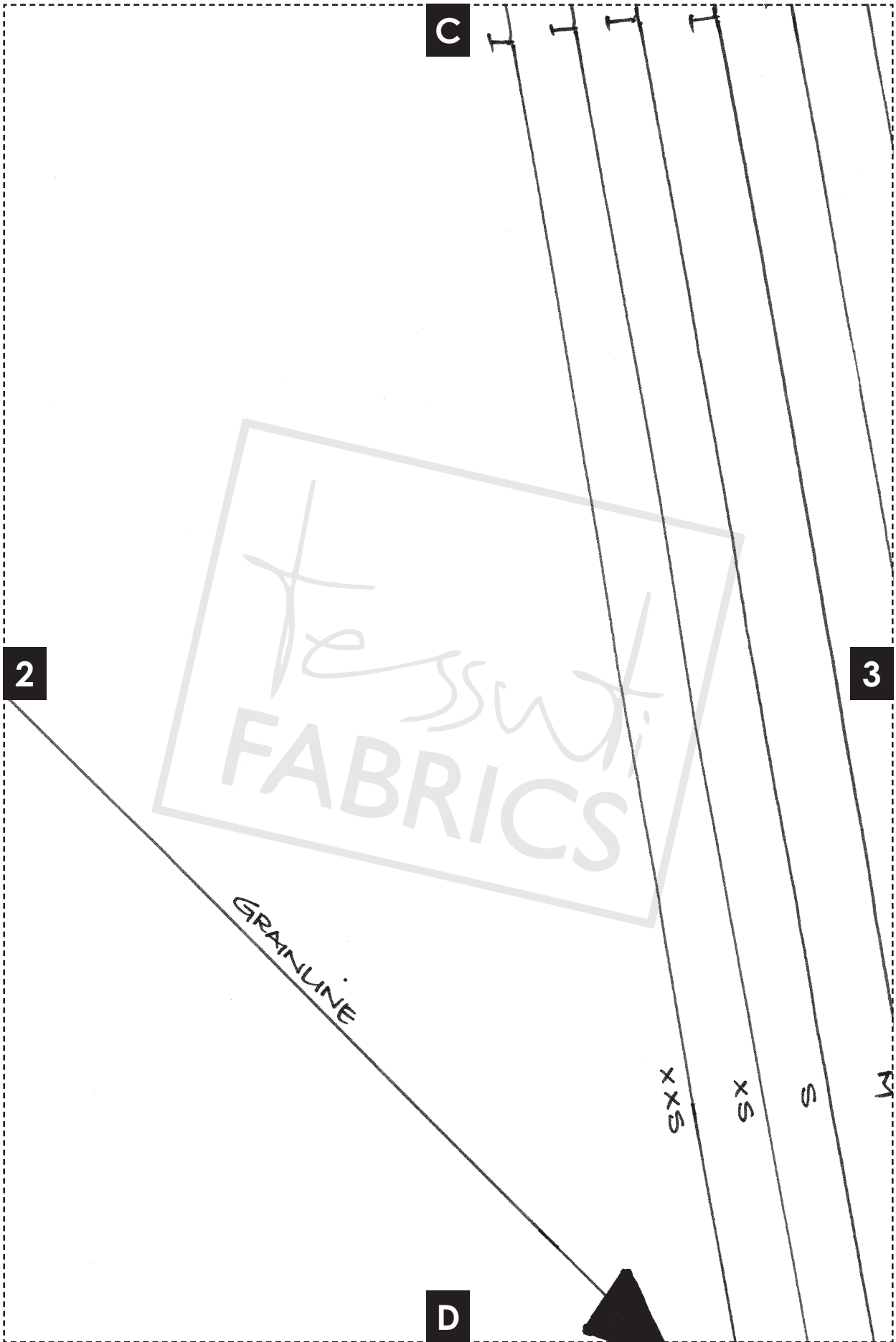


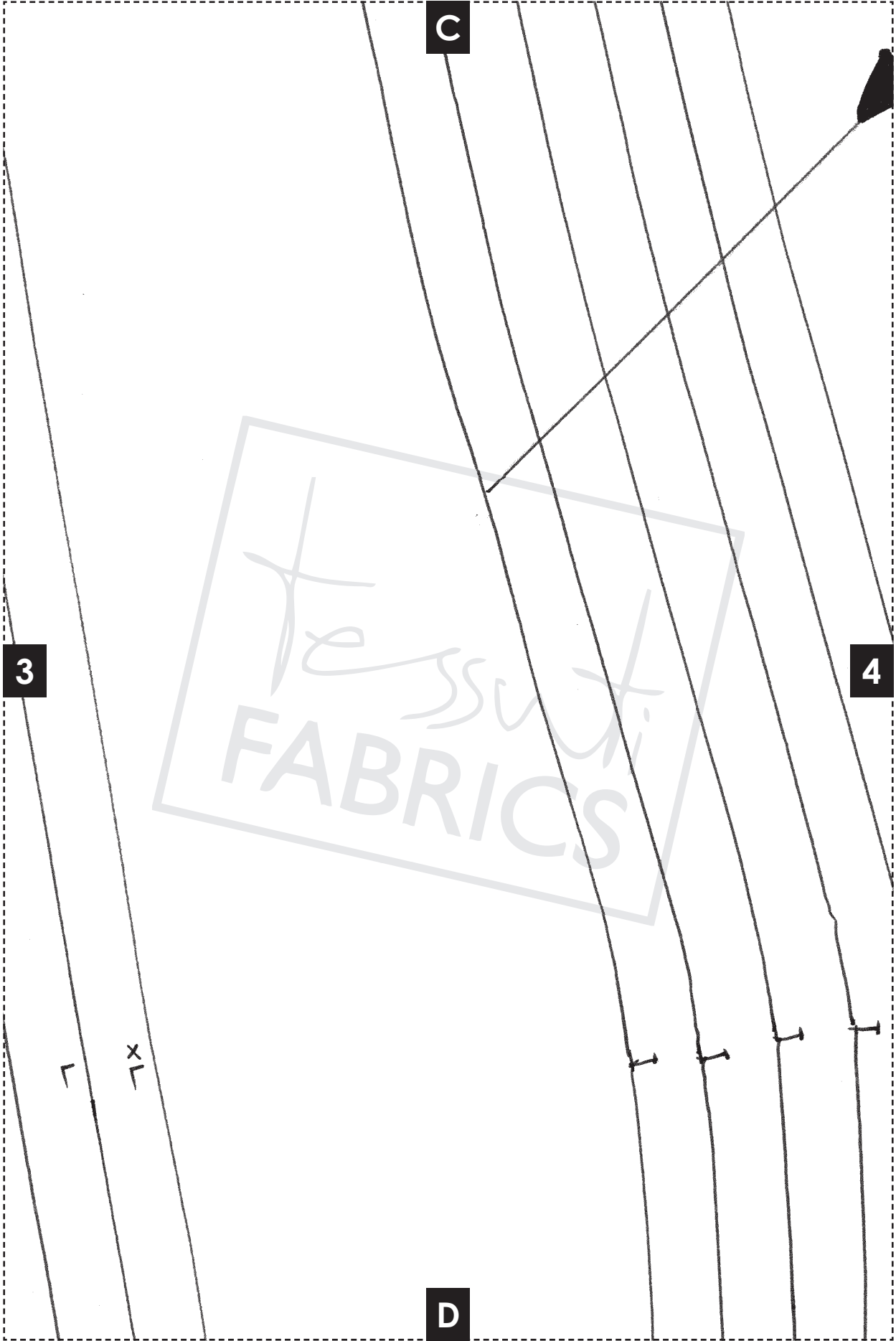
C

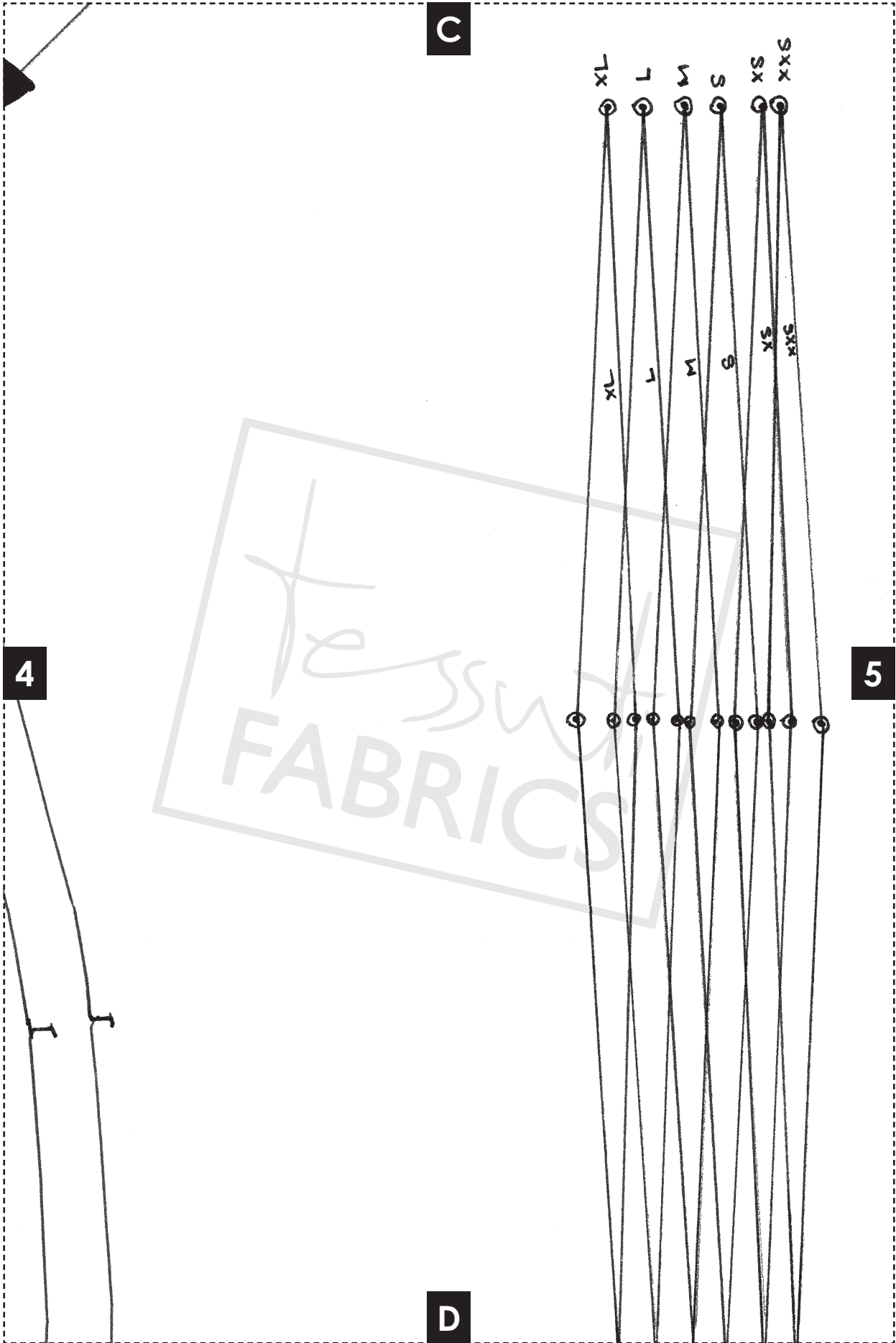
1

2

D





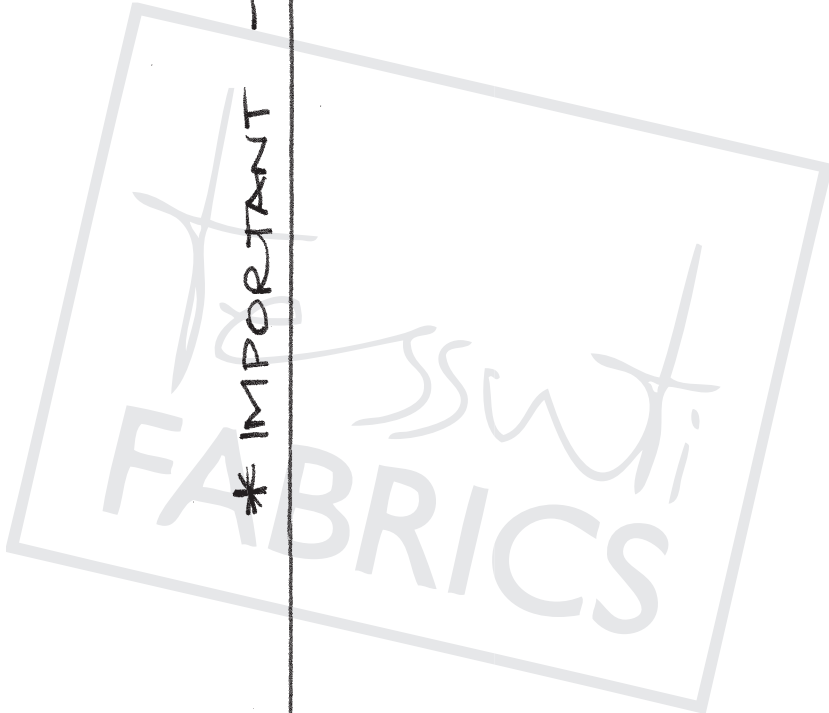


5

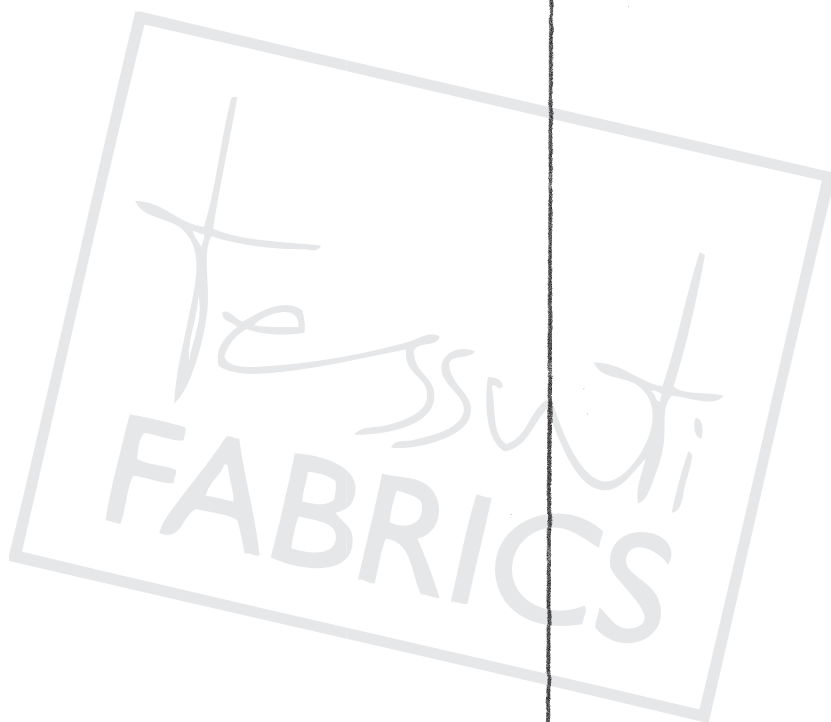
CENTRE BACK

C

D



D



1

↓ SHORTEN OR

D

1



2

LENGTHEN FROM HEMLINE ↓

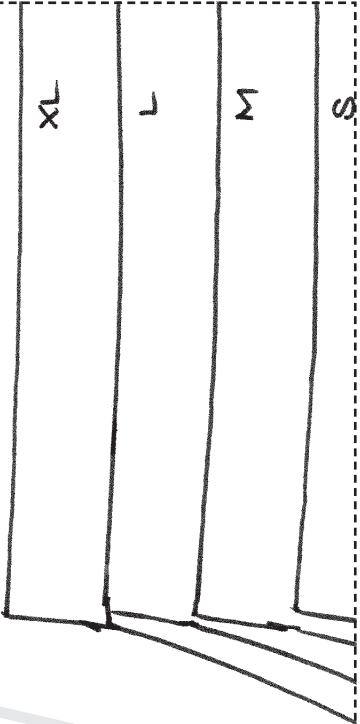
D

2

3

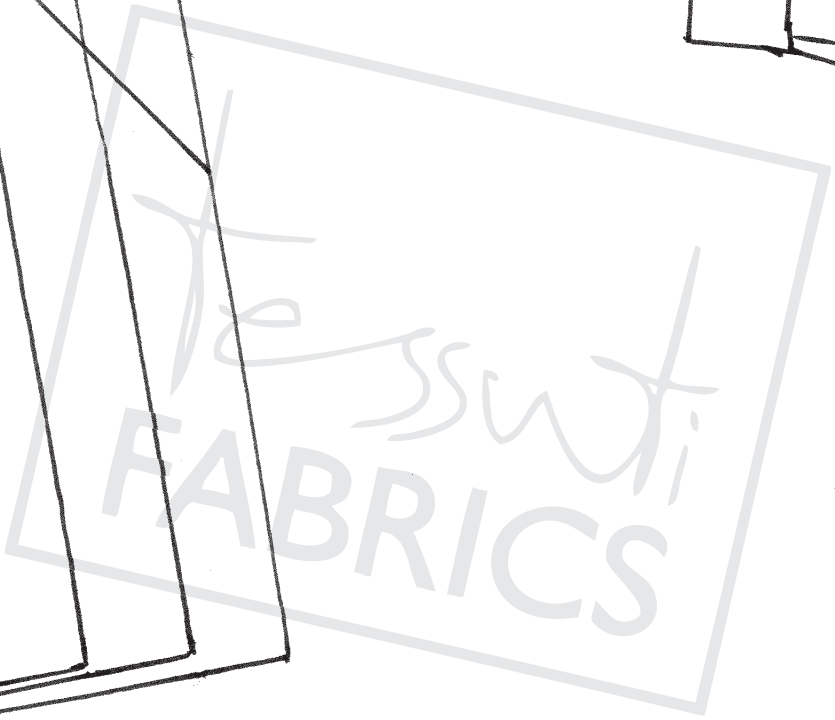


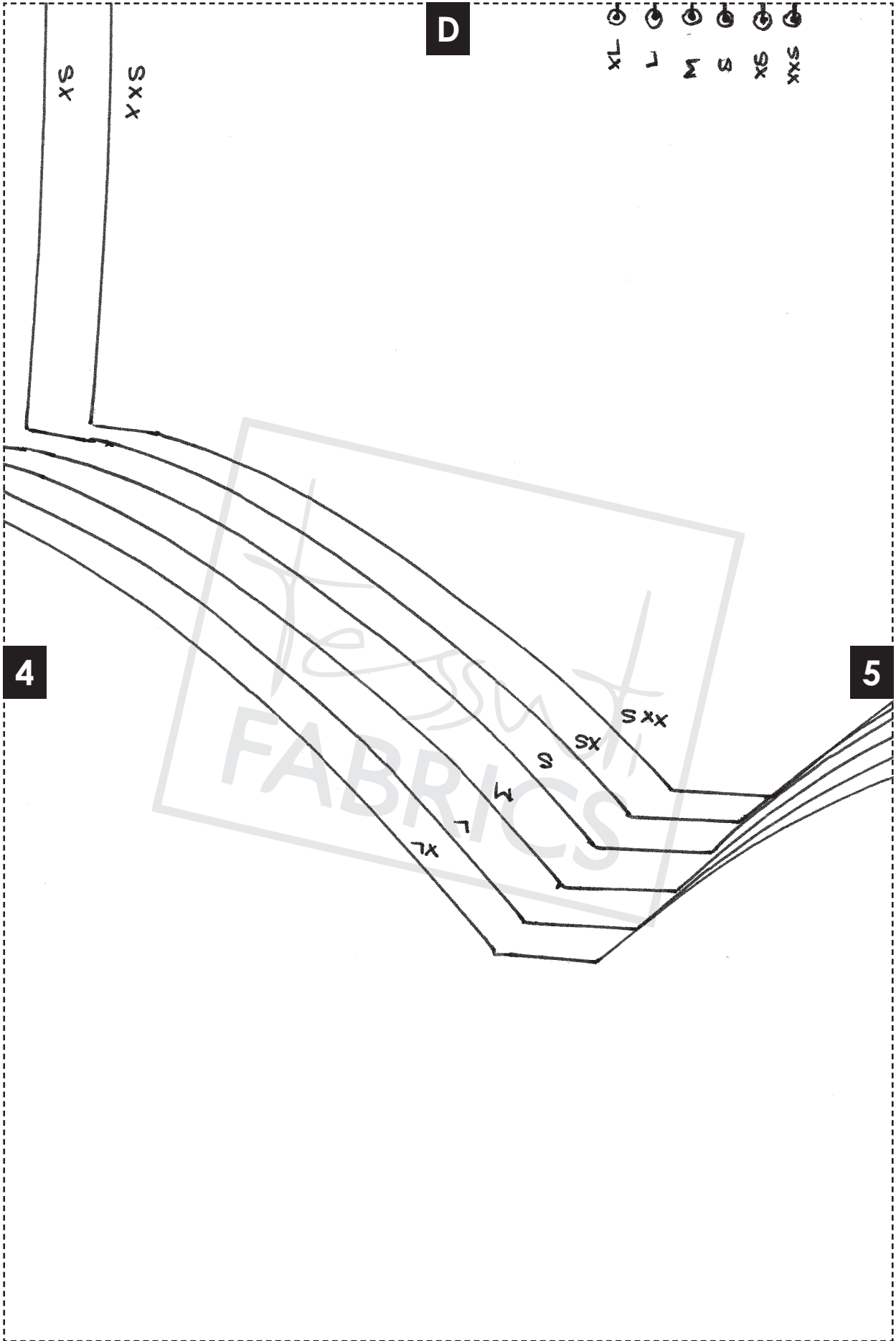
D



3

4





D

5

SXX

SX

S

W

7

TX

I

I

I

I

I

I

I

