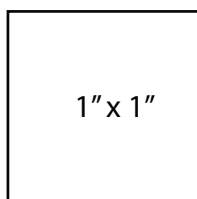




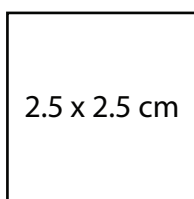
Bainbridge Pullover

Sewing Pattern
Size 00 - 20
Cup A, B, C, D & DD

© 2021 by Itch to Stitch. All rights reserved. No part of this document may be reproduced or transmitted in any form or by any means, electronic, mechanical, photocopying, recording, or otherwise, without prior written permission of Itch to Stitch.



1" x 1"



2.5 x 2.5 cm

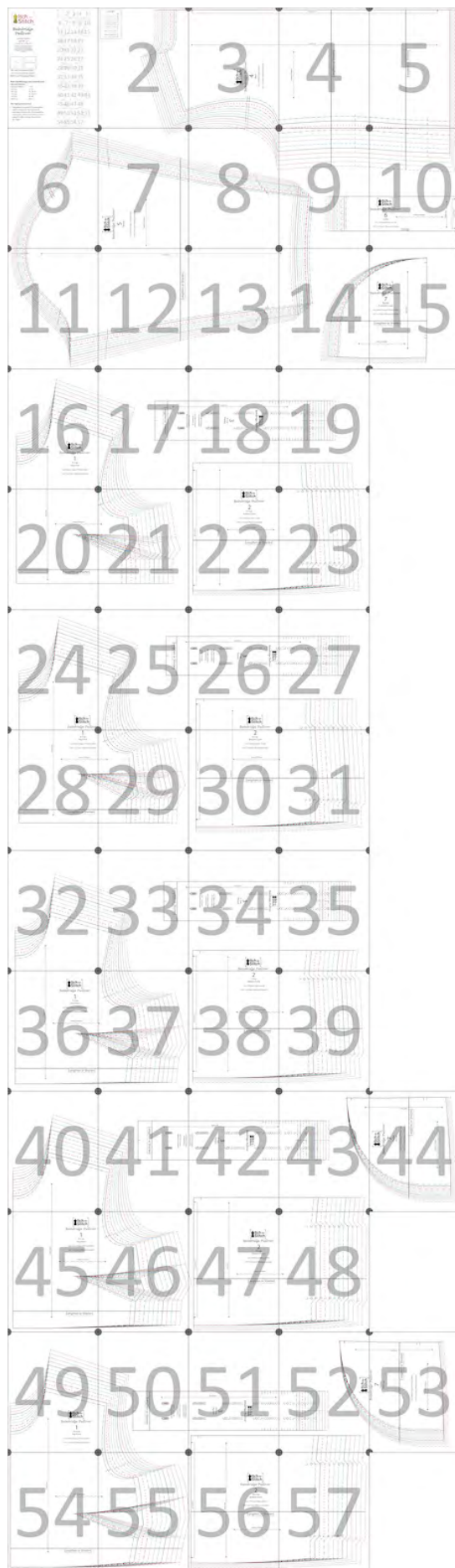
Be sure to measure the 1" or 2.5 cm scaling square before cutting your fabric!

Print only the pages you need for your size and options.

Common Pieces	1-14
+A Cup	15-23
+B Cup	15, 24-31
+C Cup	15, 32-39
+D Cup	40-48
+DD Cup	49-57

Tile Taping Instructions

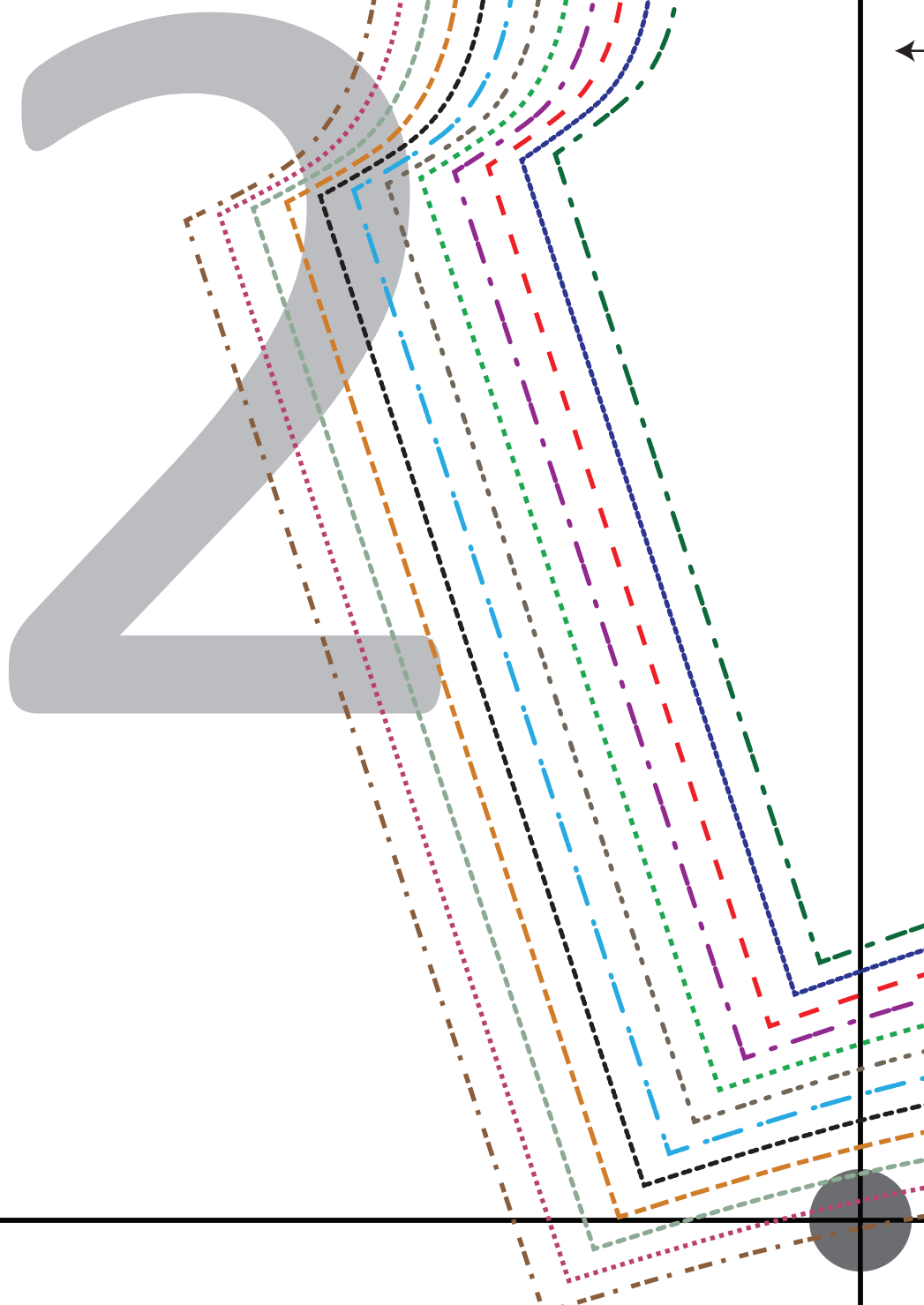
- The pattern contains 57 pattern tiles.
- See the image on the right for an overview of where the tiles should be placed. You will have to fold or cut the paper in order to align the circles/ tile edges.



SIZE KEY

Size

- 20
- 18
- 16
- 14
- 12
- 10
- 8
- 6
- 4
- 2
- 0
- 00





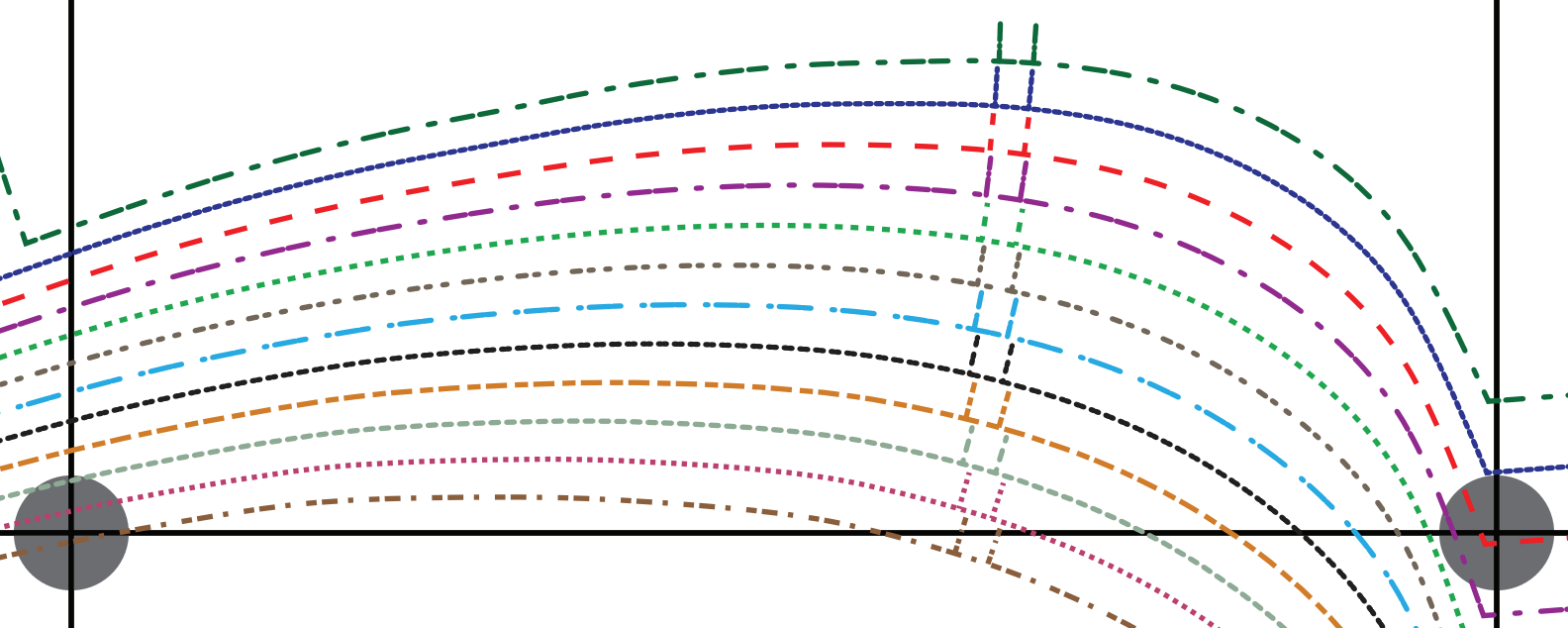
Bainbridge Pullover

4

Back

Cut 1 of Primary Fabric on Fold

3/8" (1 cm) Seam Allowance Included

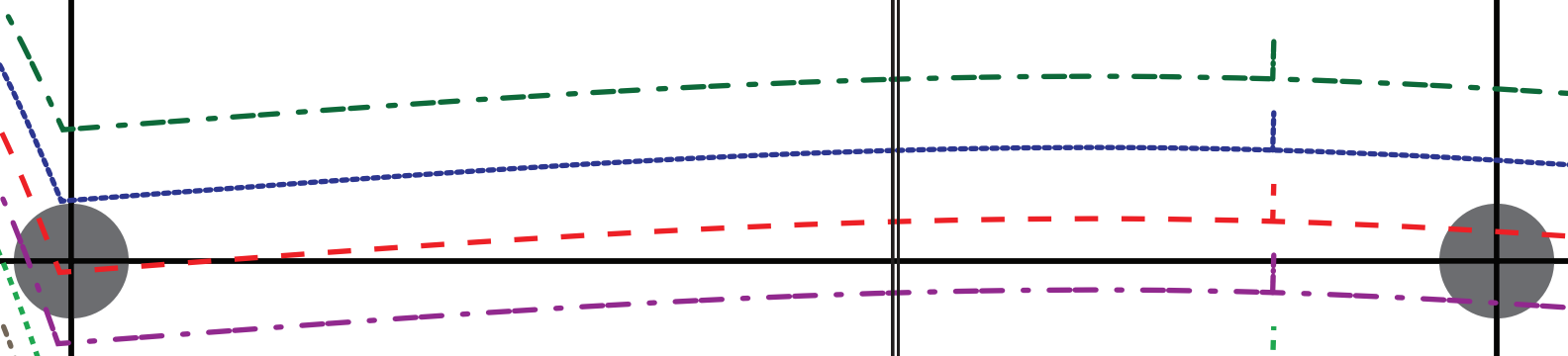
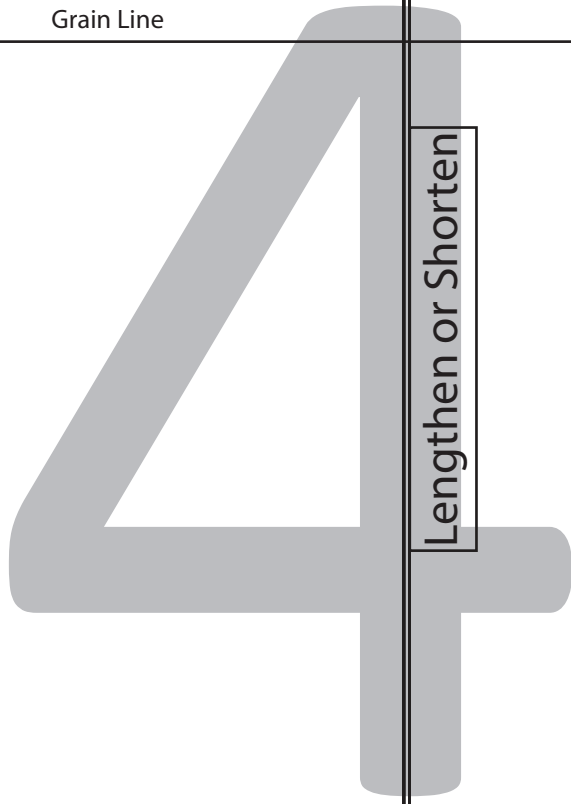


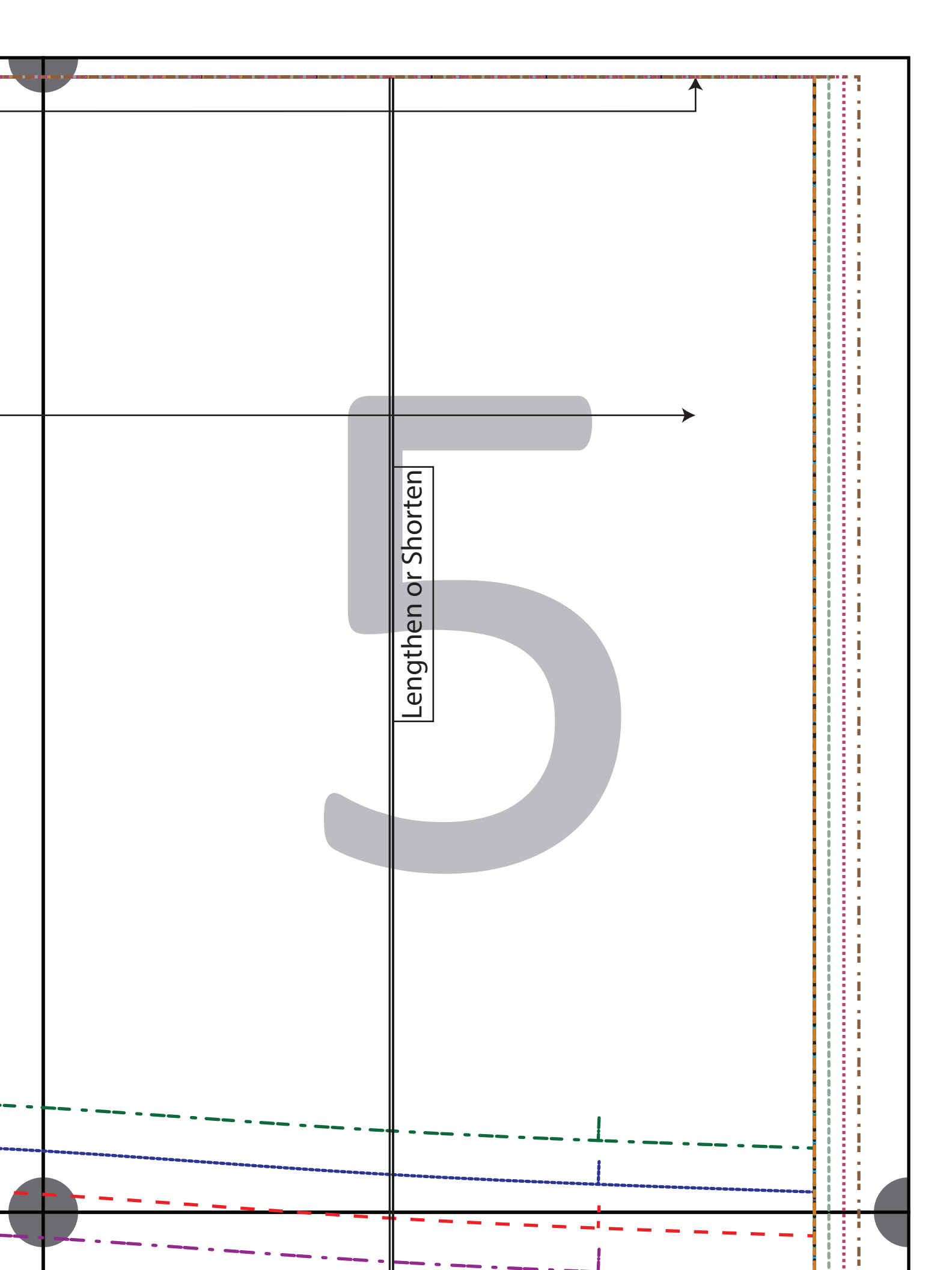
Center Fold

Grain Line

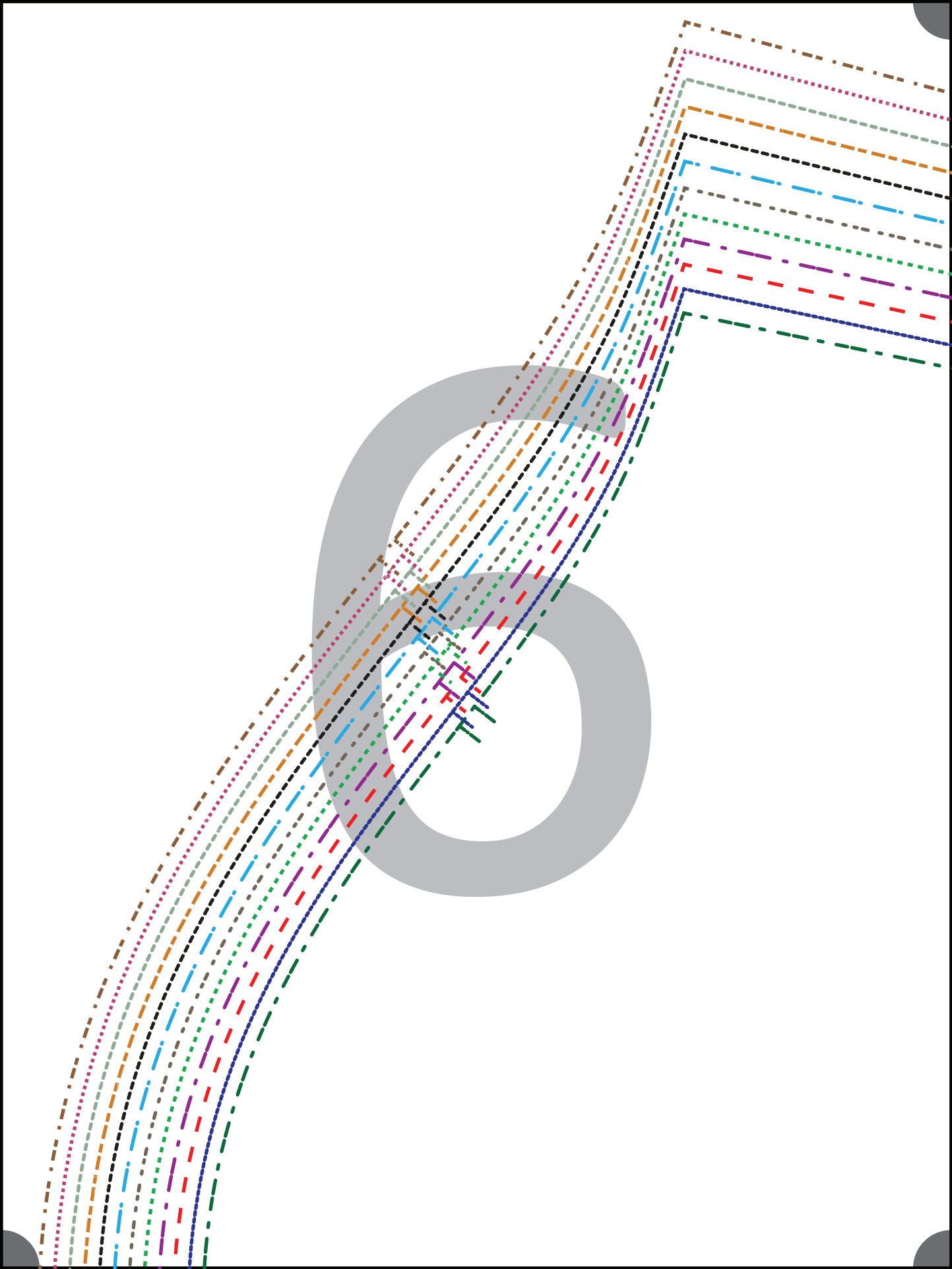


Lengthen or Shorten





Lengthen or Shorten





Bainbridge Pullover

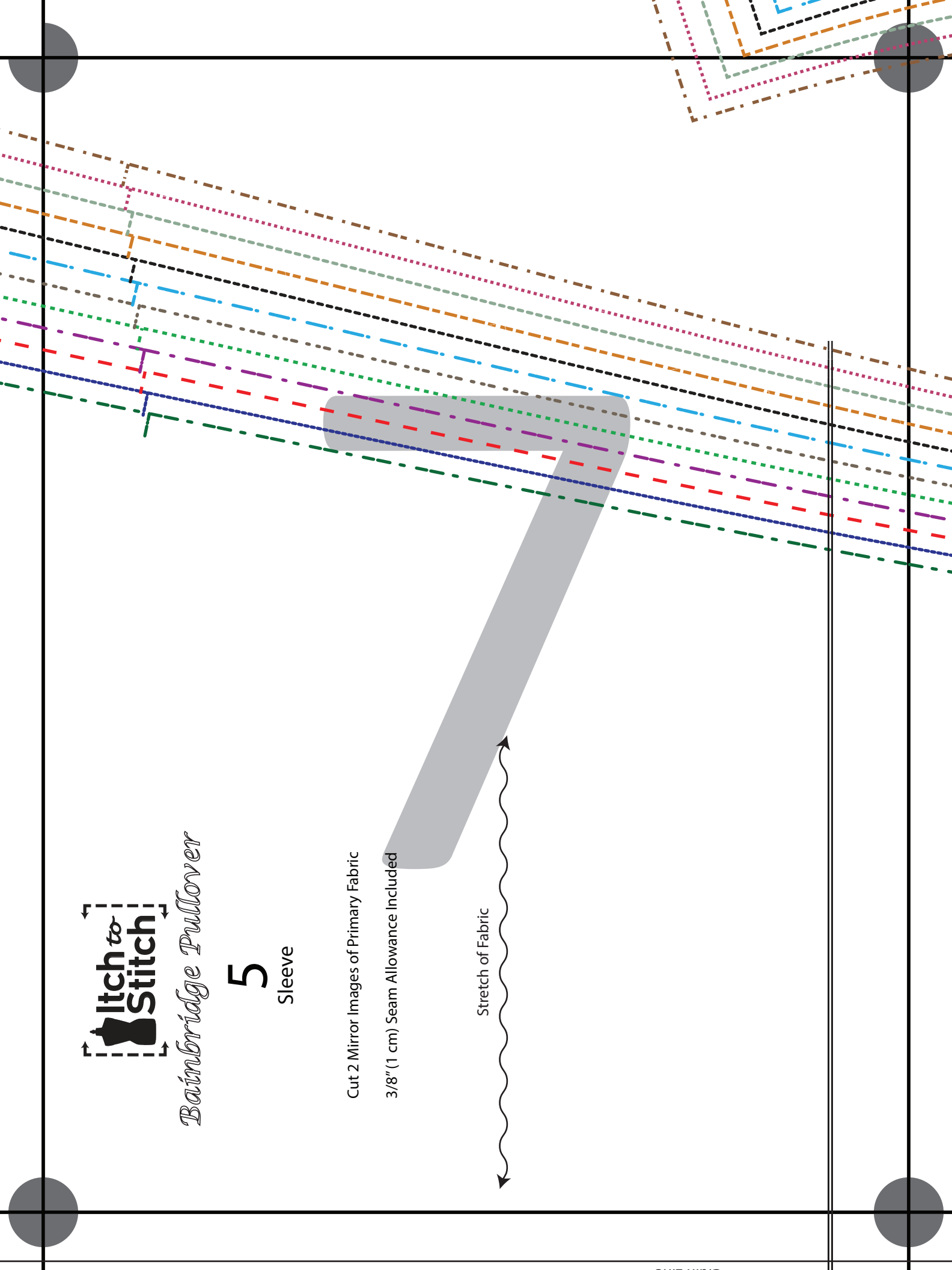
5

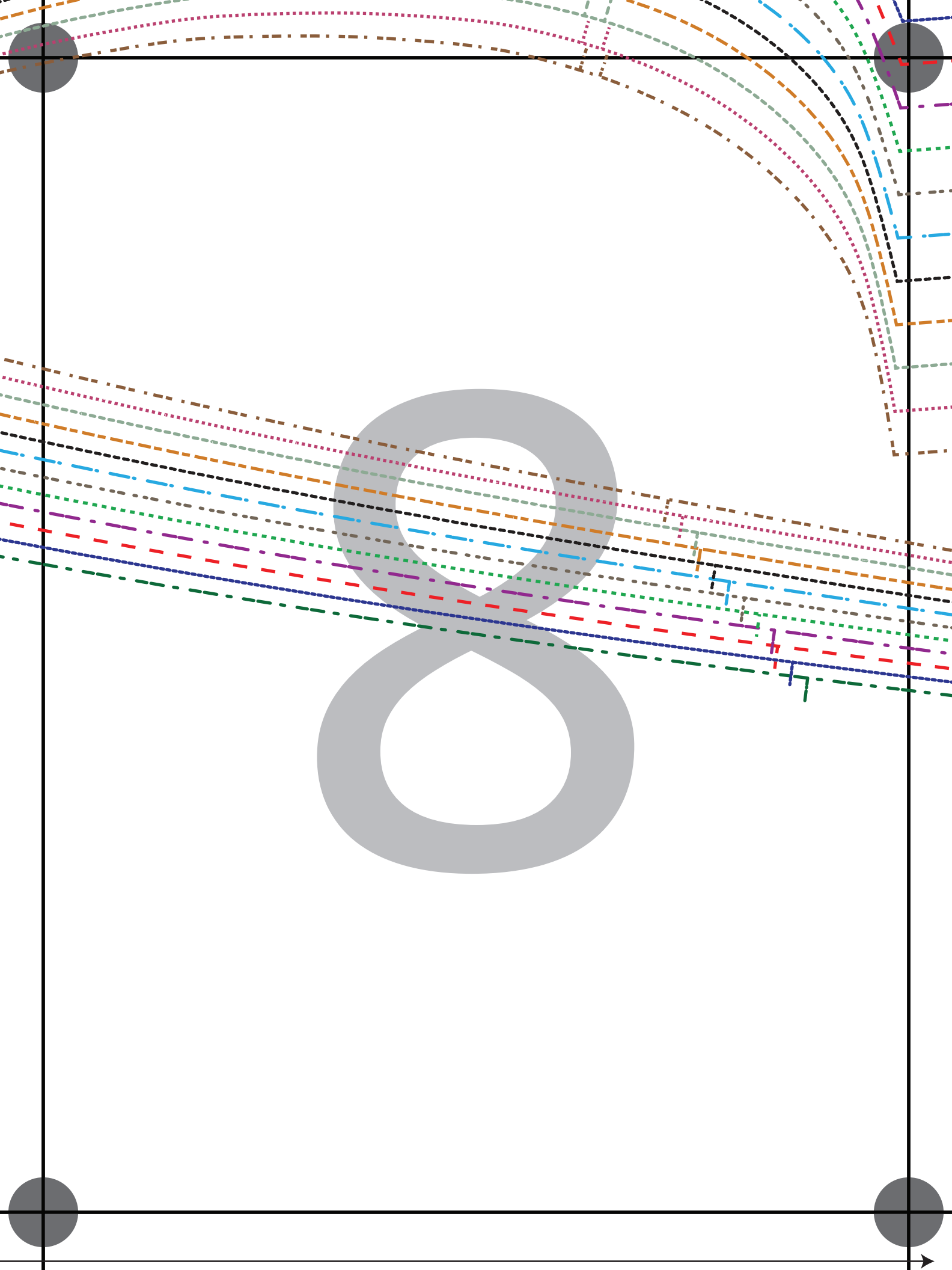
Sleeve

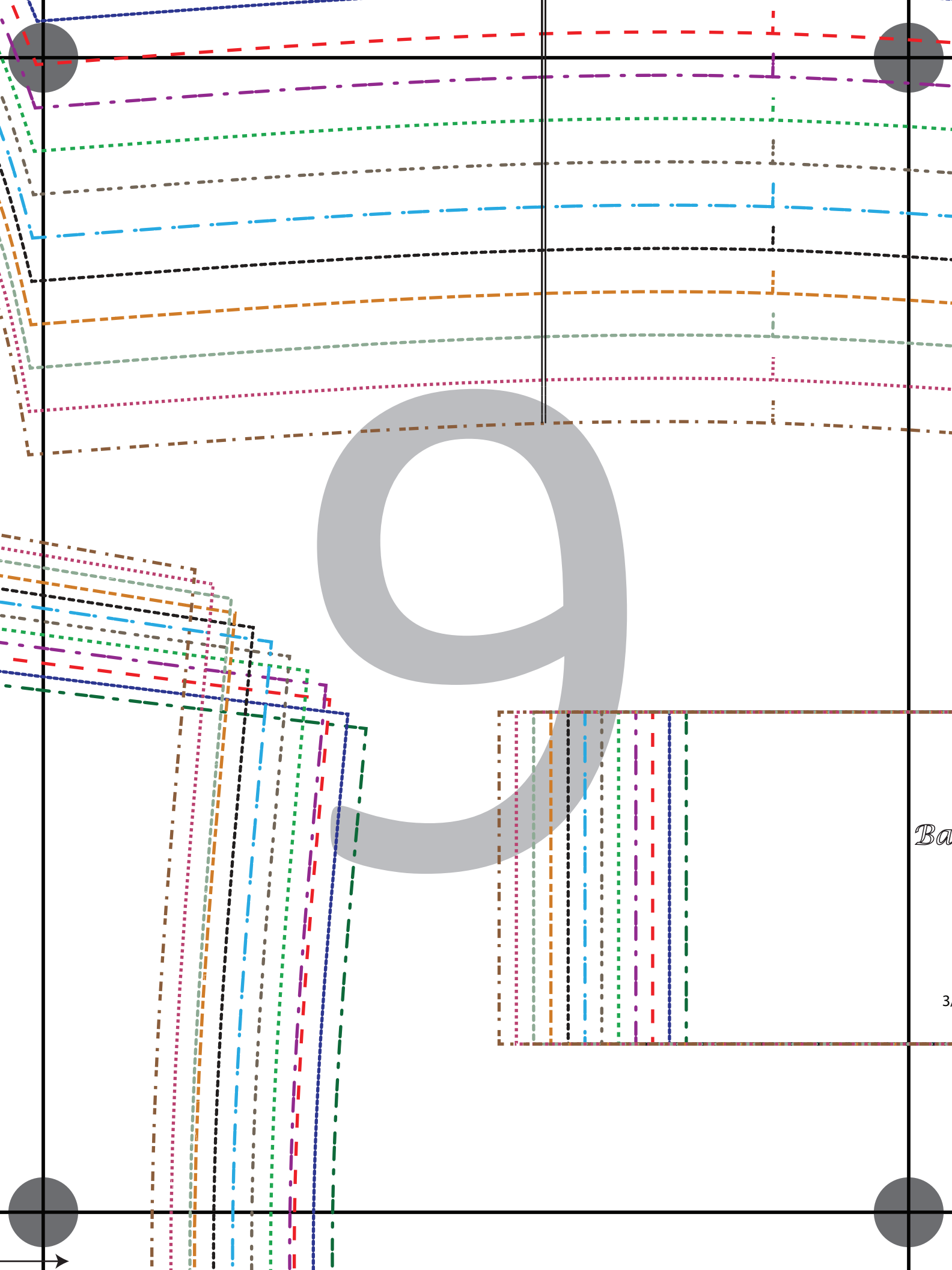
Cut 2 Mirror Images of Primary Fabric

3/8" (1 cm) Seam Allowance Included

Stretch of Fabric







Ba

3.

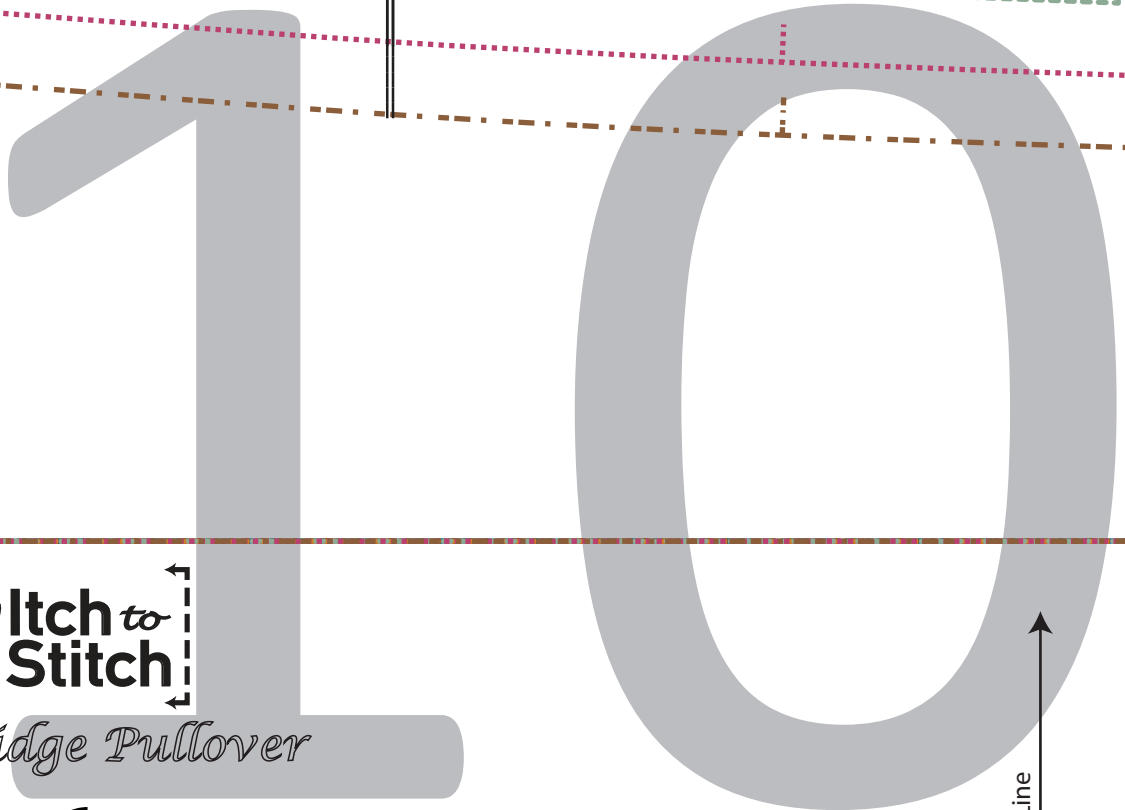


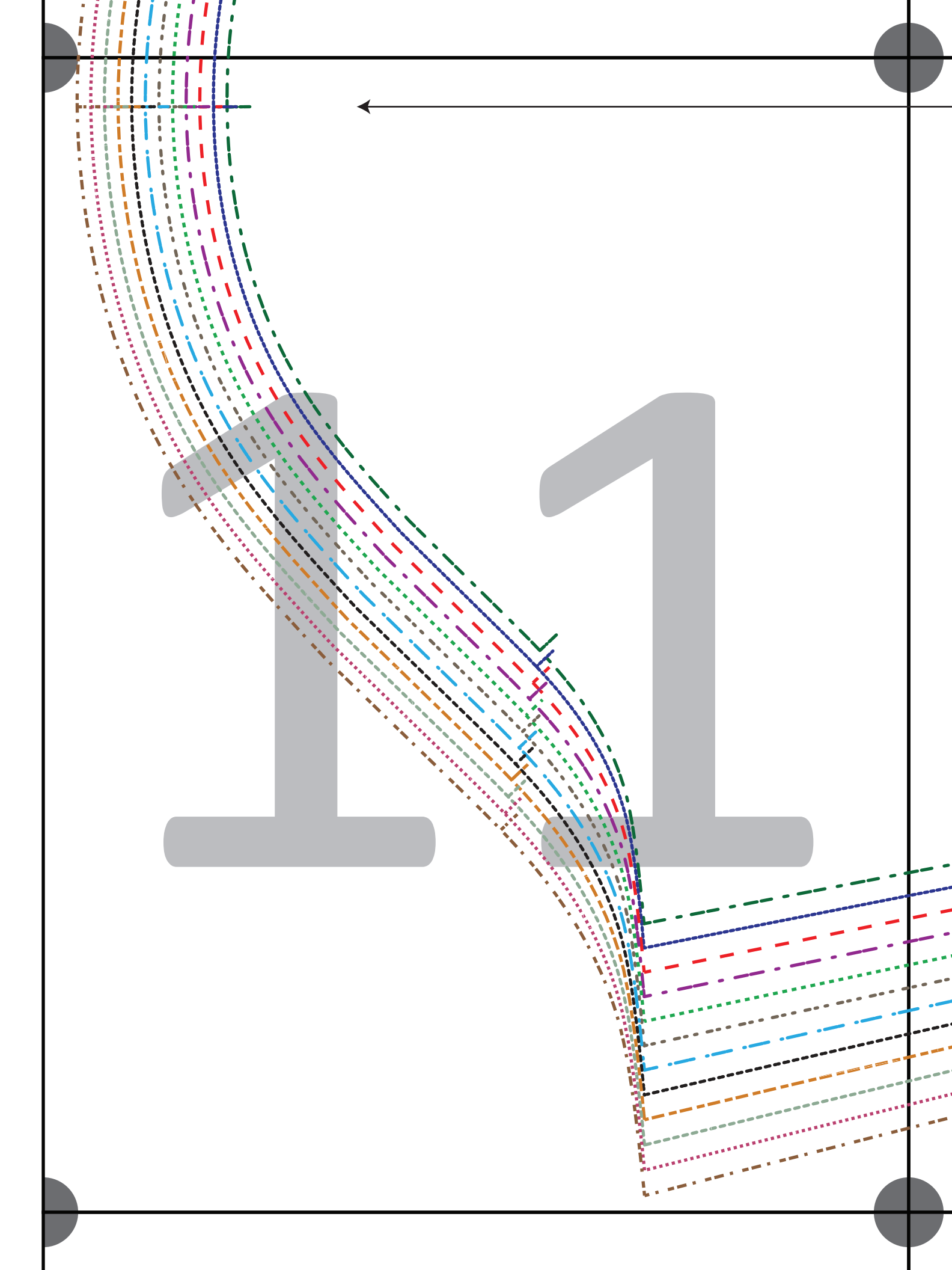
Bainbridge Pullover

6
Collar

Cut 1 of Primary Fabric on Fold

3/8" (1 cm) Seam Allowance Included

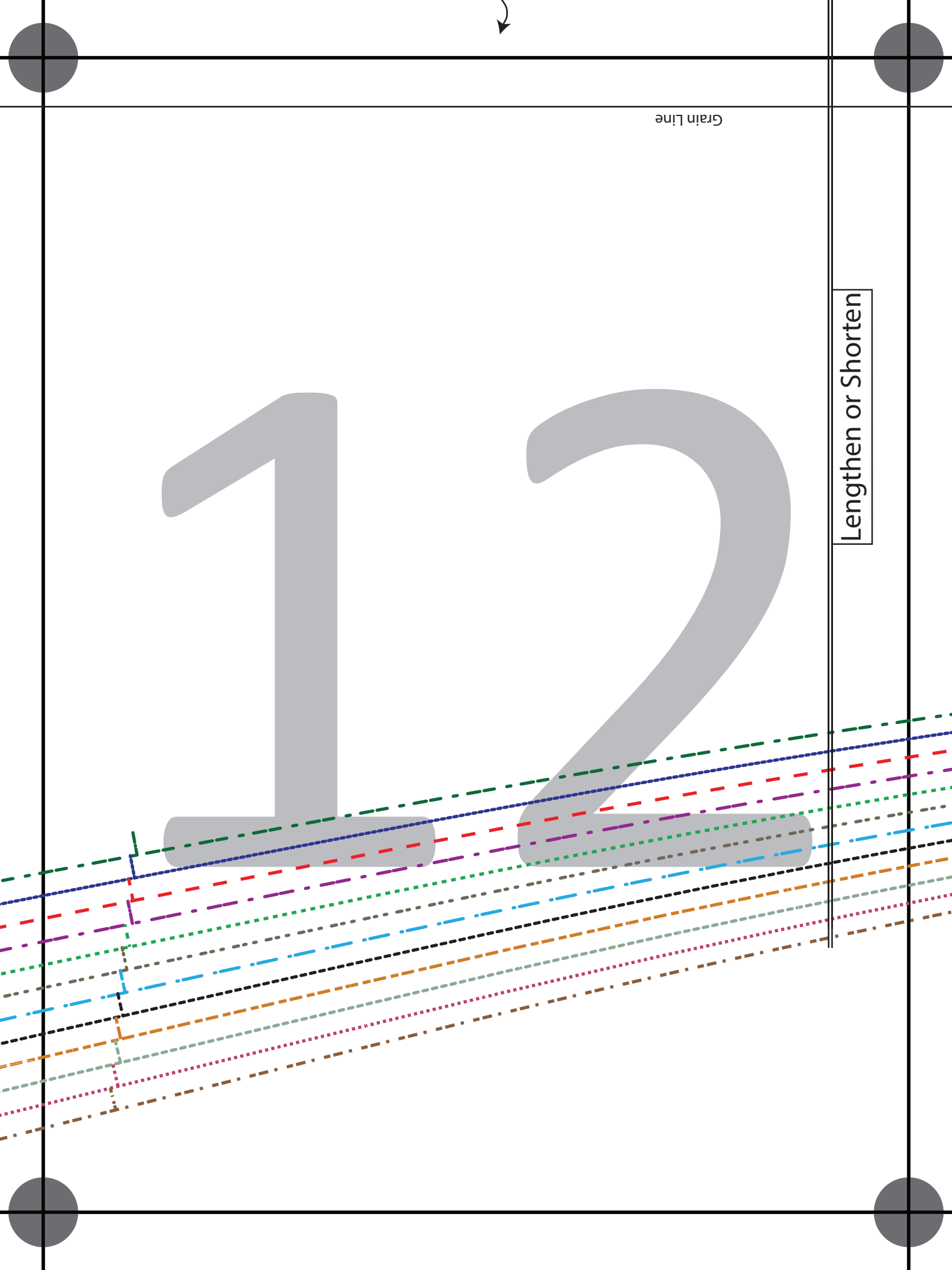




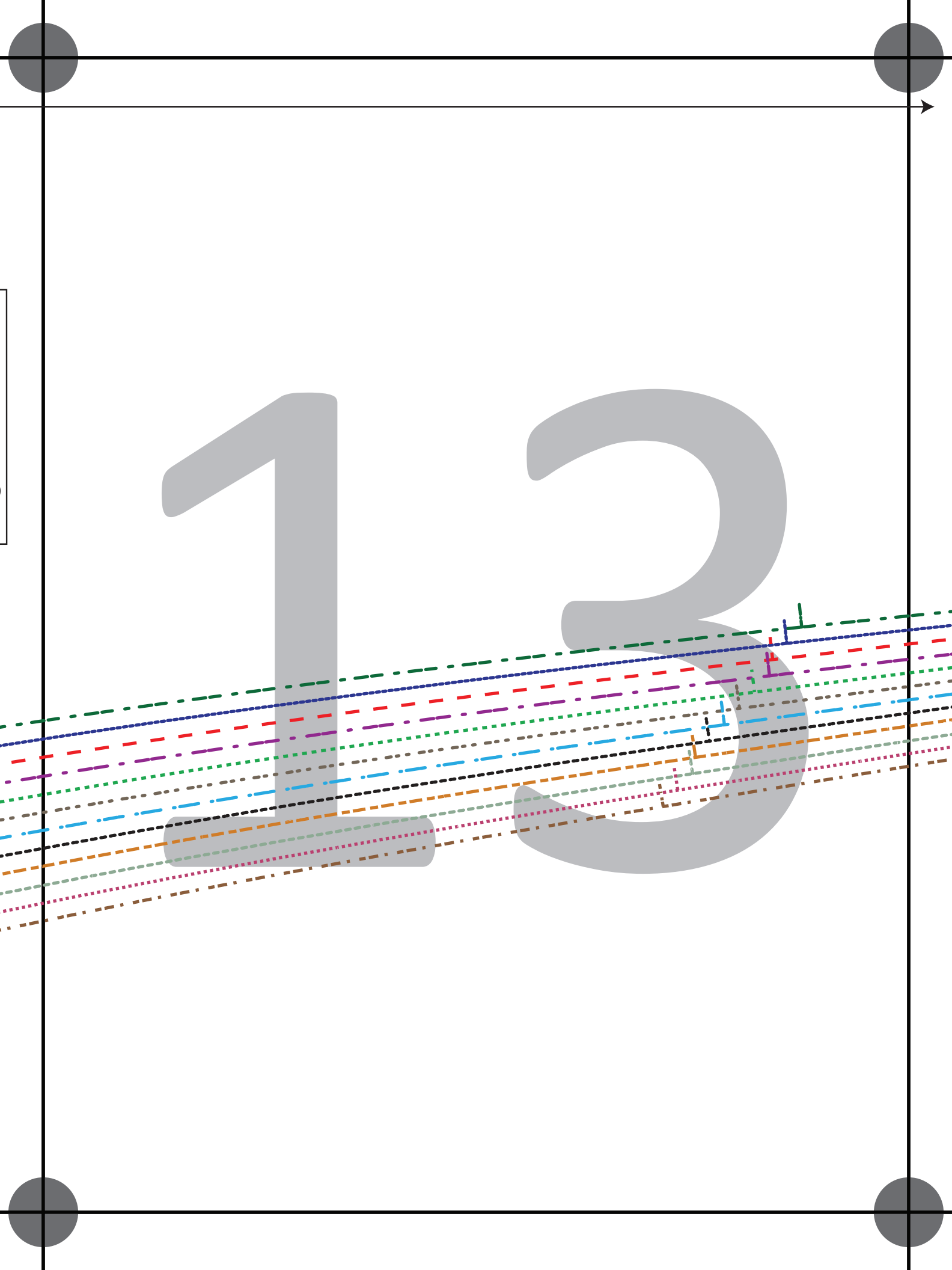
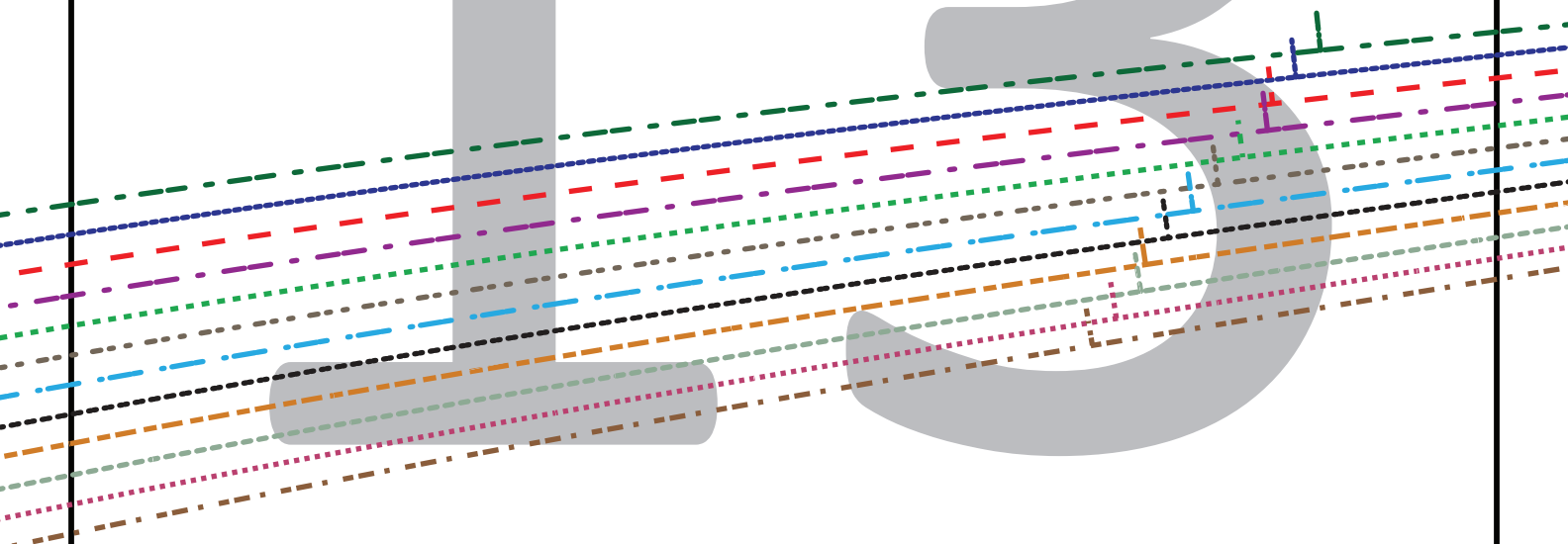
Lengthen or Shorten

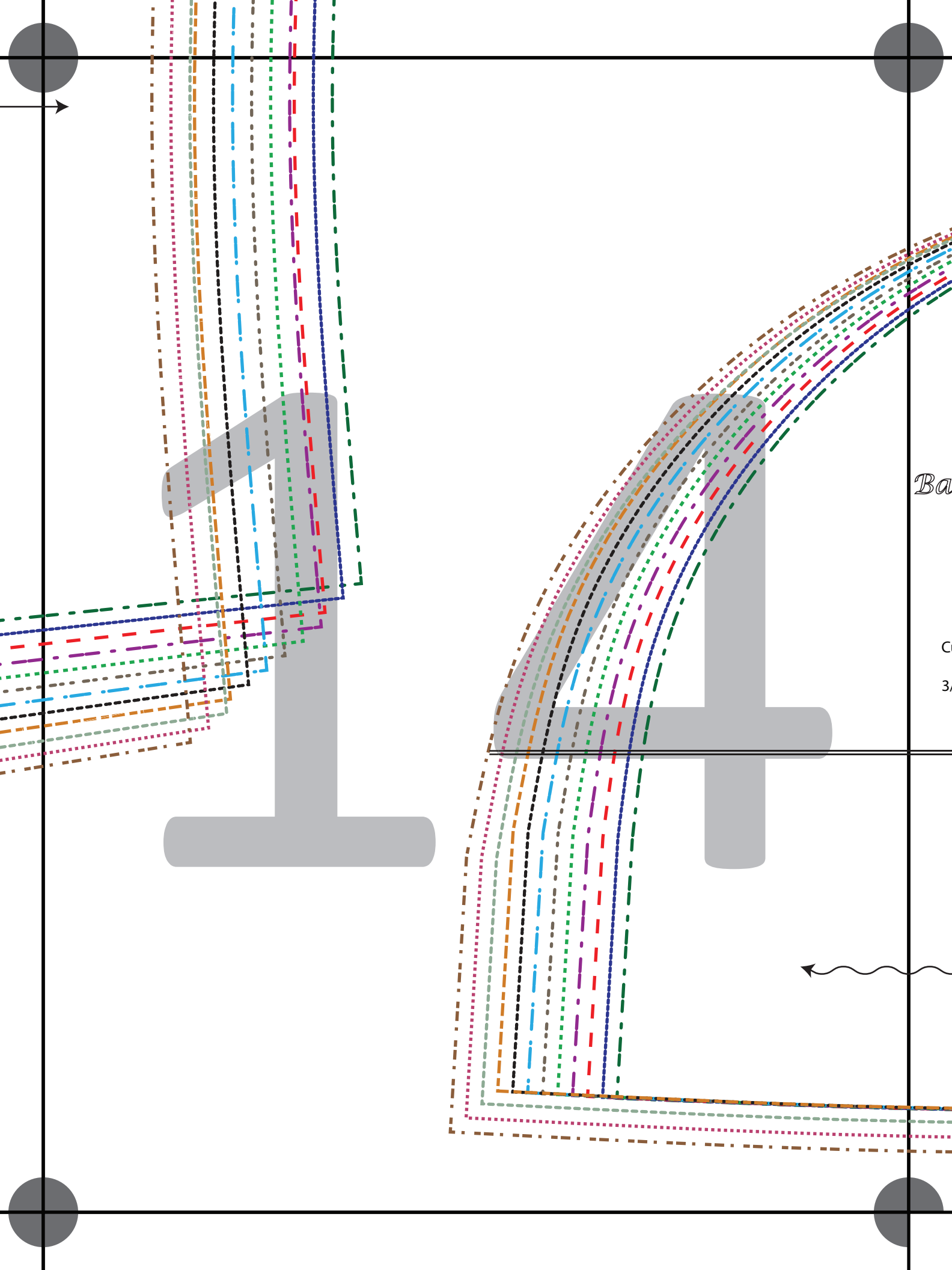
1 2

Grain Line



13





Ba

C
3.



Bainbridge Pullover

7

Pocket
A, B and C Cups

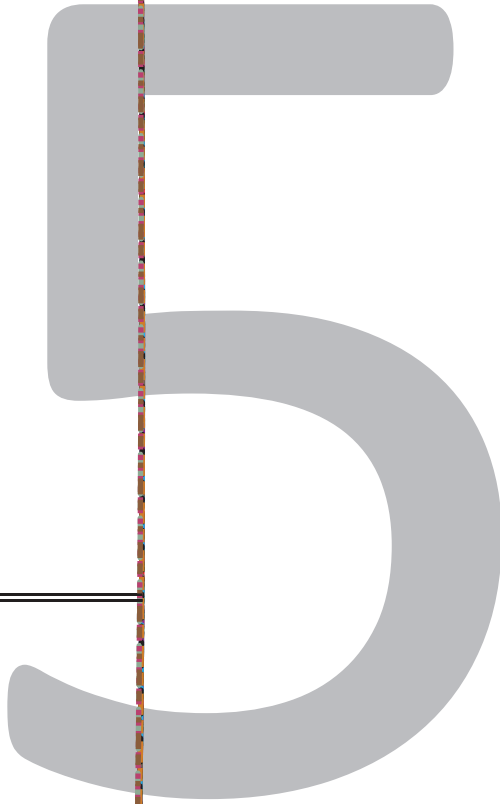

Cut 2 Mirror Images of Primary Fabric

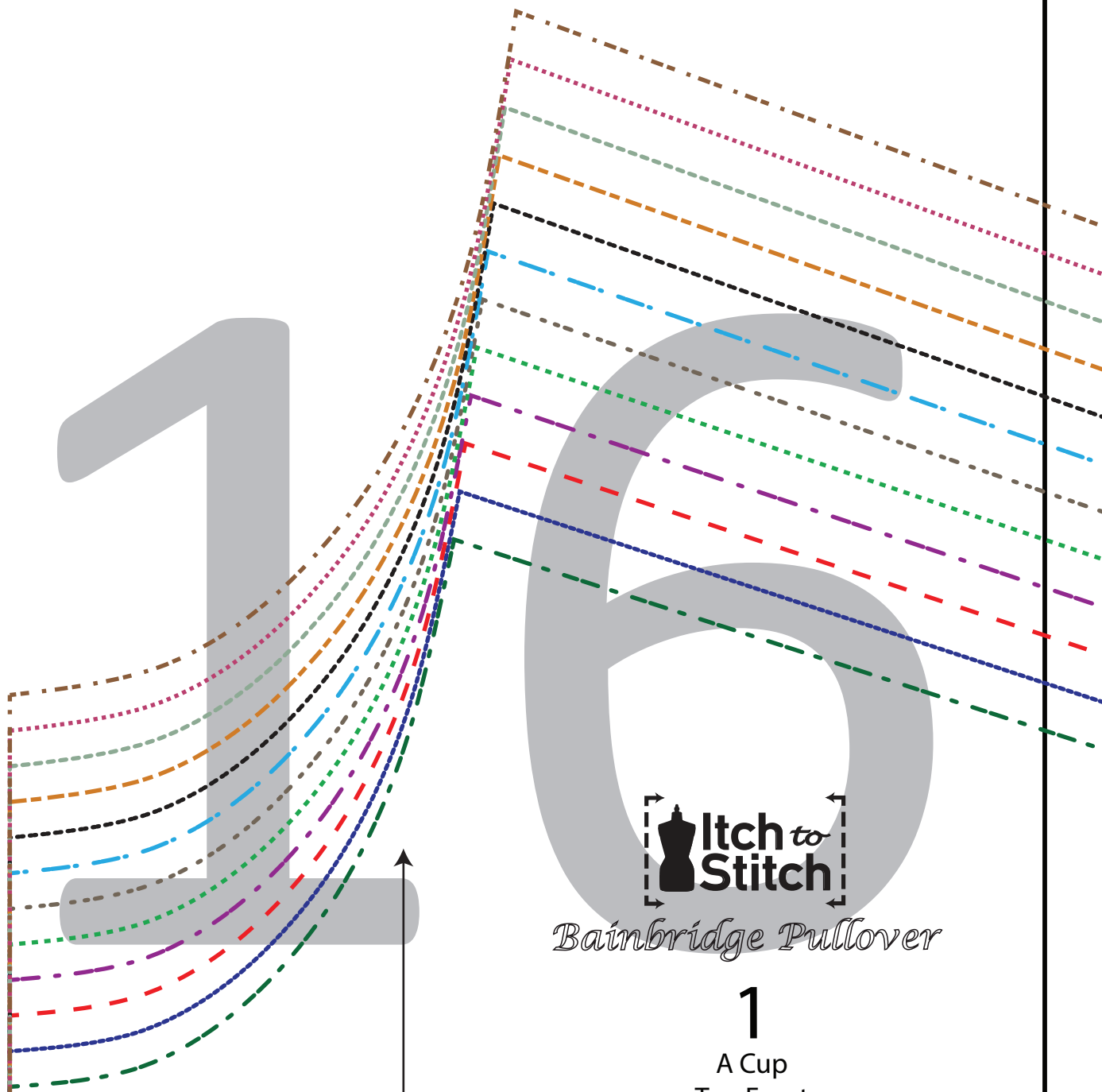
3/8" (1 cm) Seam Allowance Included

Grain Line

Lengthen or Shorten

Stretch of Fabric





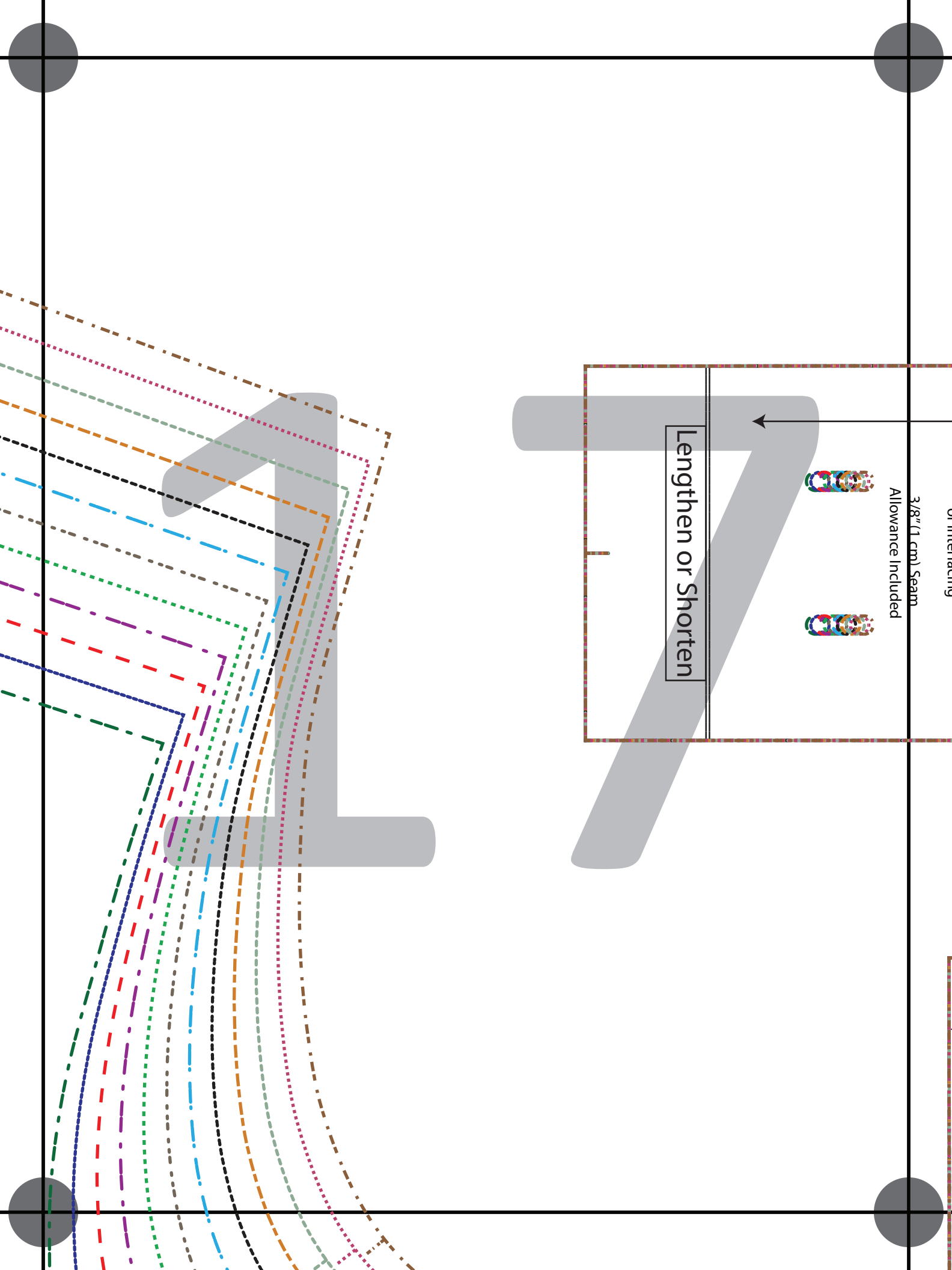
Bainbridge Pullover

1

A Cup
Top Front

Cut 2 Mirror Images of Primary Fabric

3/8" (1 cm) Seam Allowance Included



of interfacing

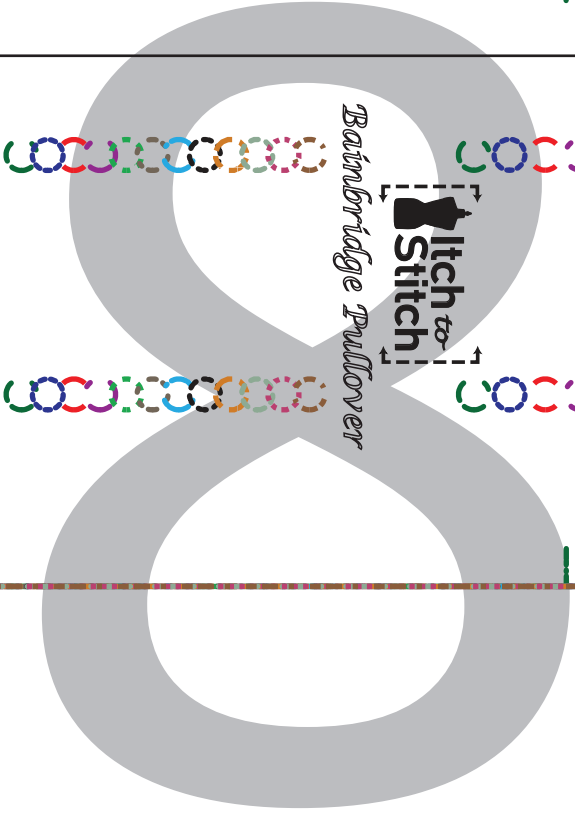
3/8" (1 cm) Seam

Allowance Included



Lengthen or Shorten





Bainbridge Pullover

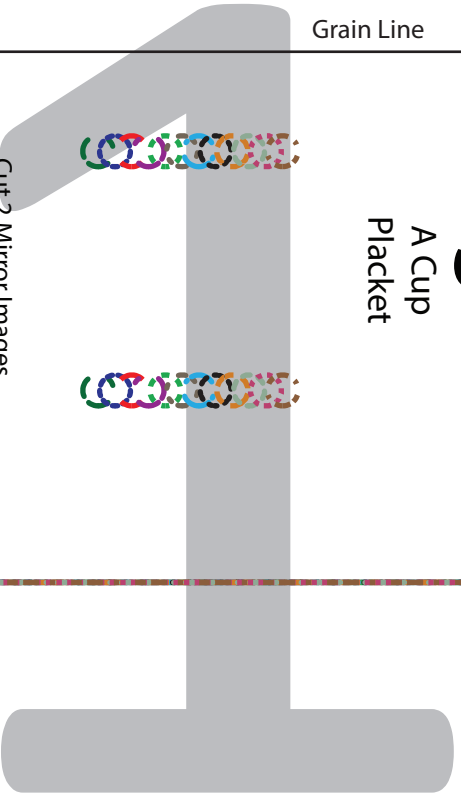


Itch to
Stitch

3

A Cup
Placket

Grain Line



Cut 2 Mirror Images
of Contrast Fabric

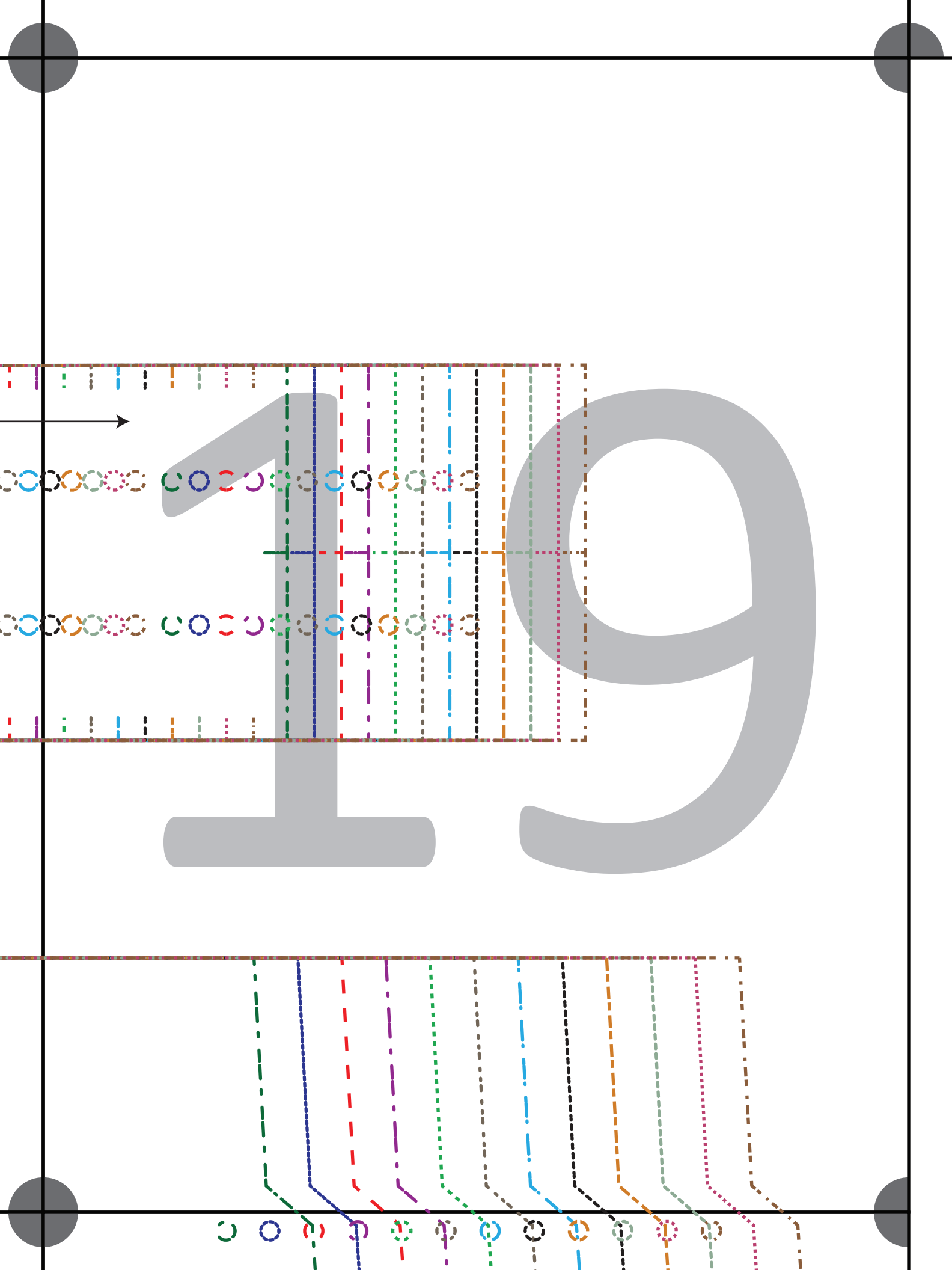
Cut 2 Mirror Images
of Interfacing

3/8" (1 cm) Seam
Allowance Included



Itch to
Stitch

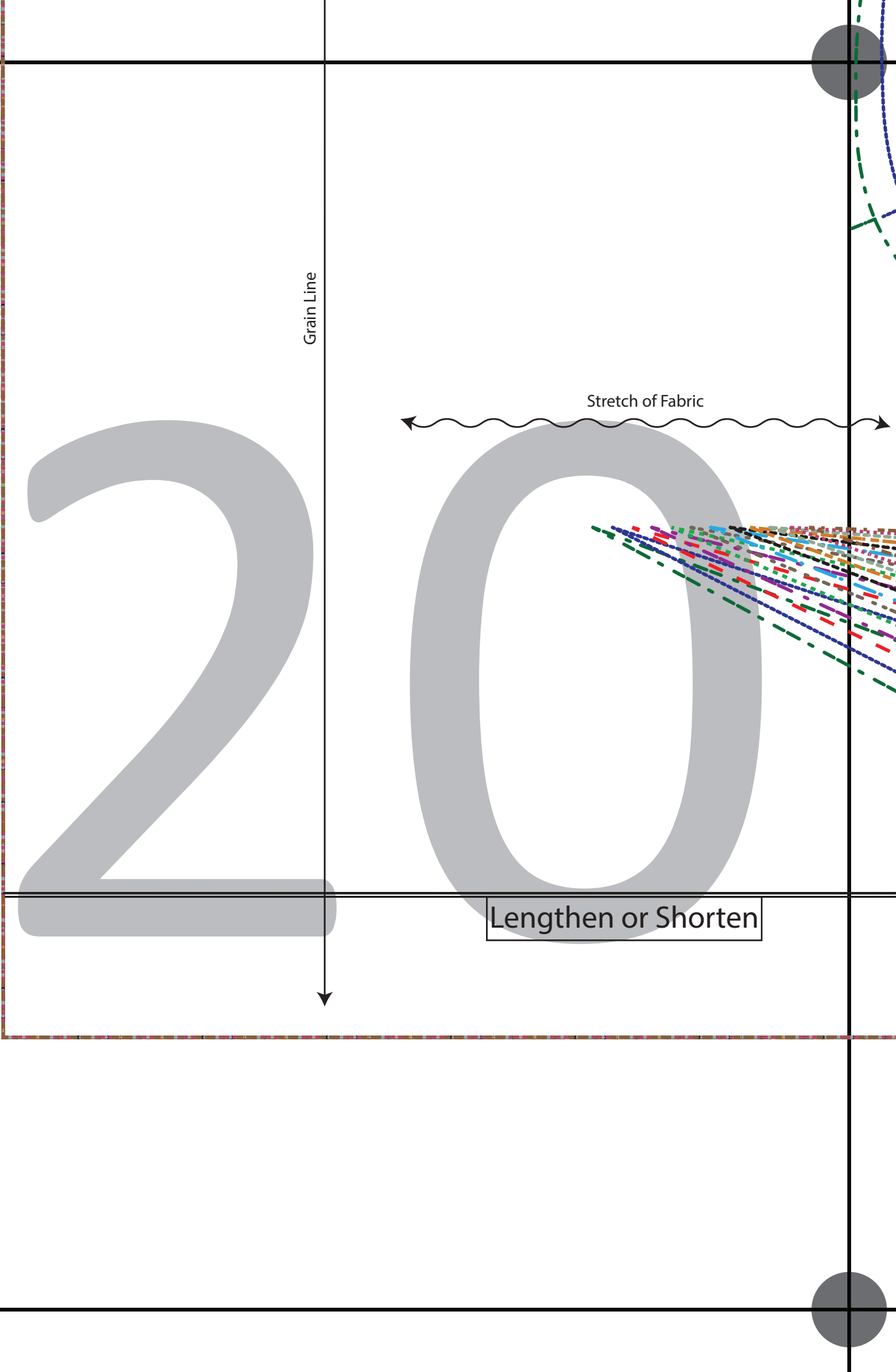


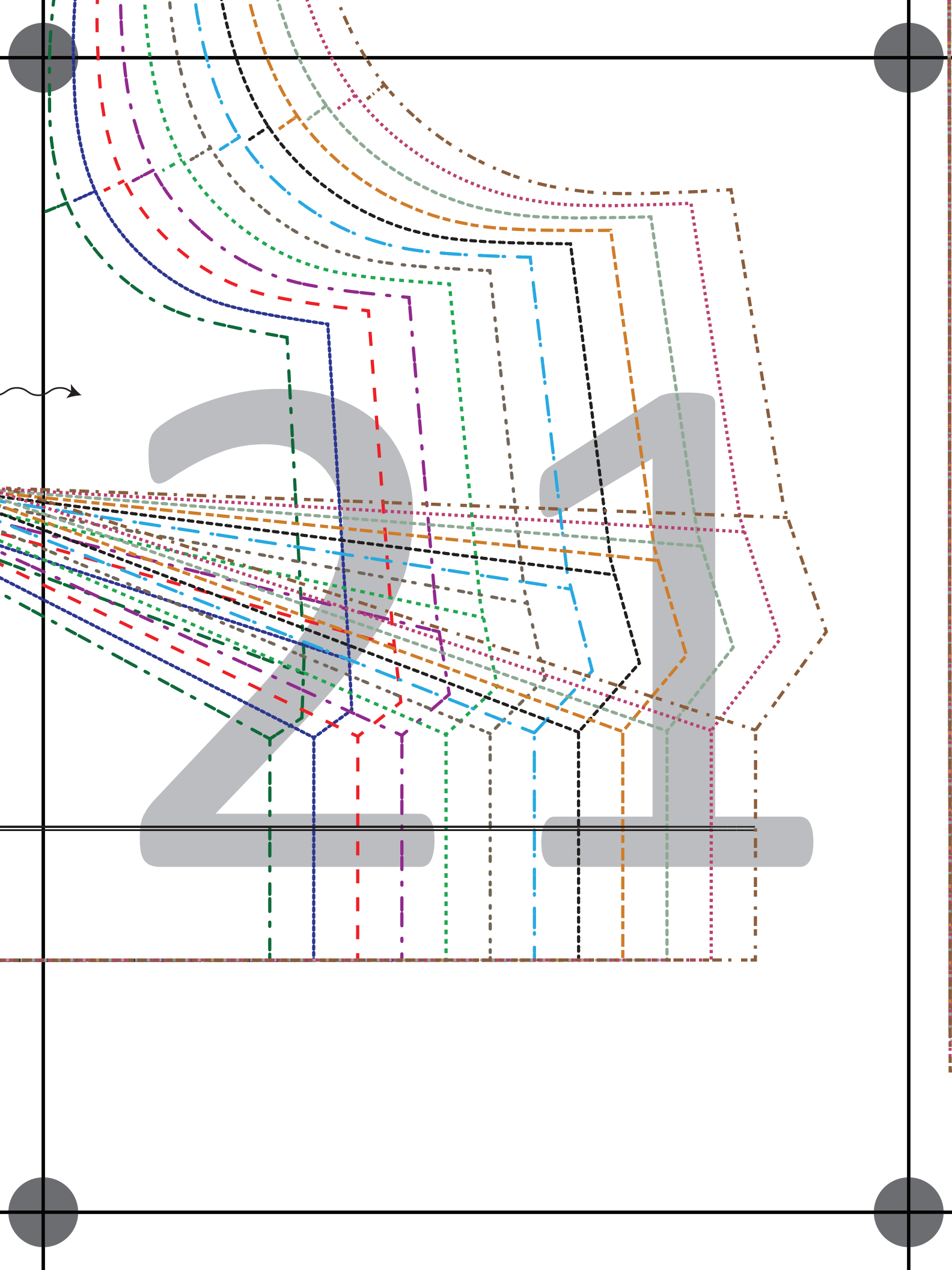


Grain Line

Stretch of Fabric

Lengthen or Shorten







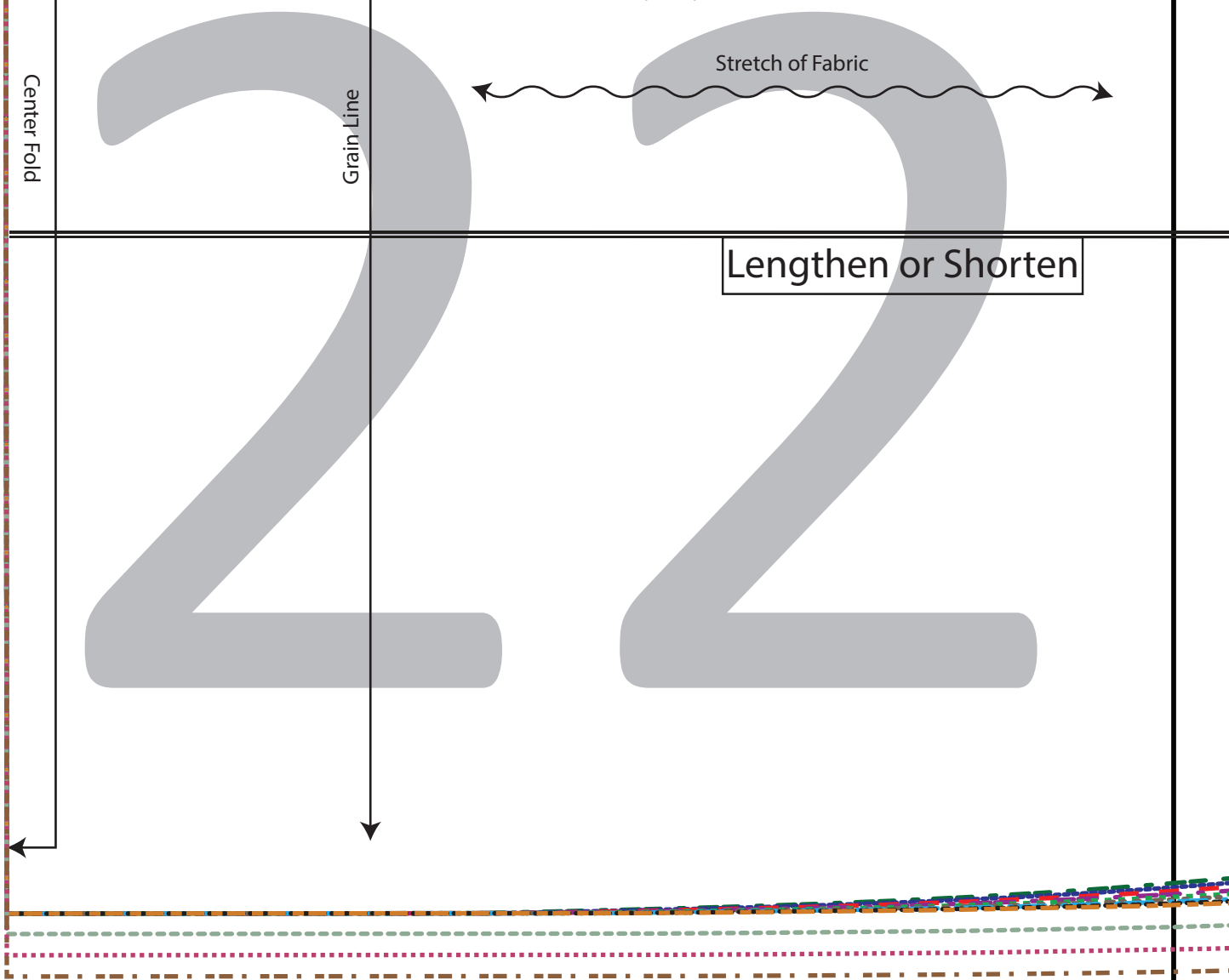
Bainbridge Pullover

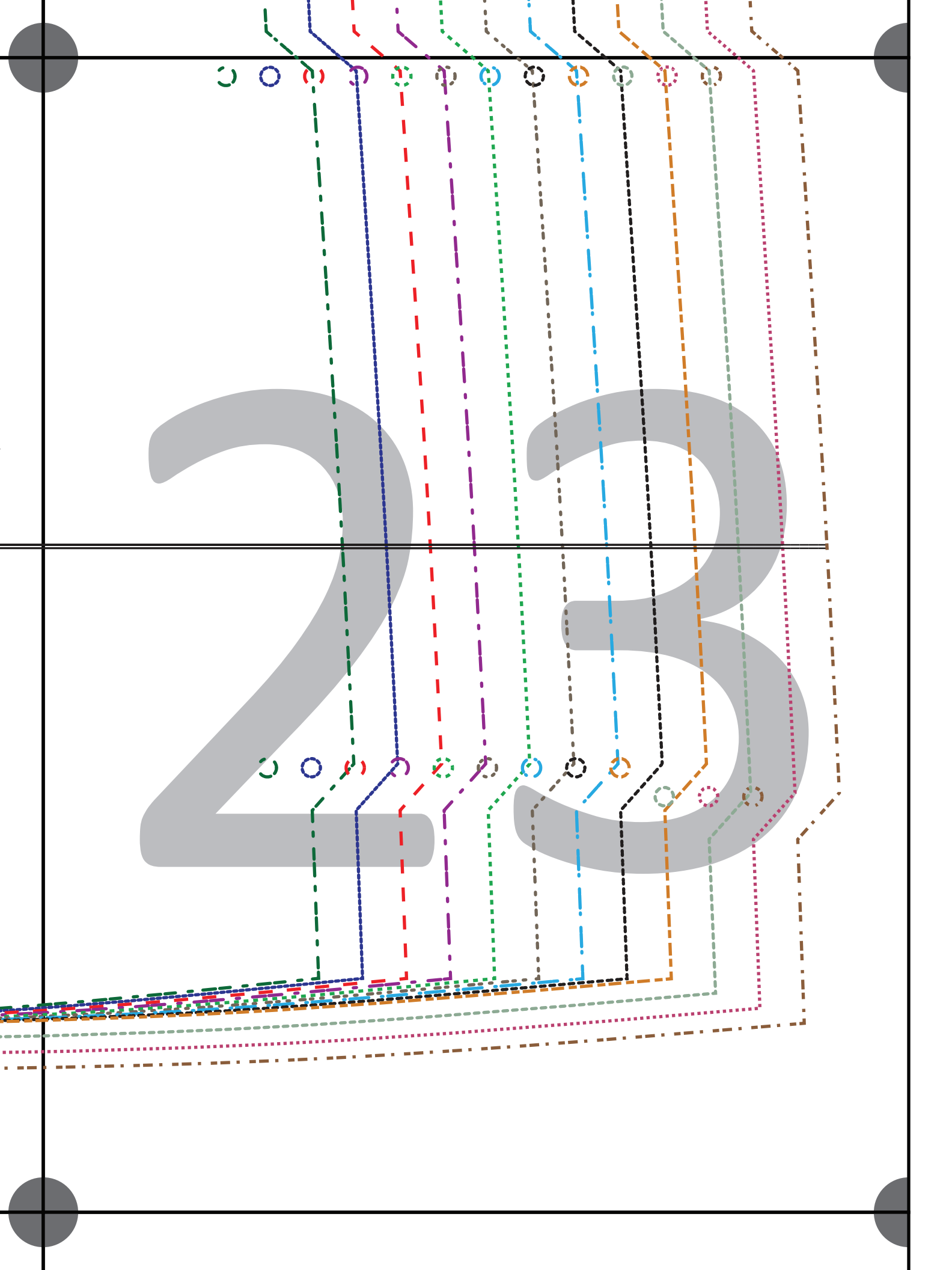
2

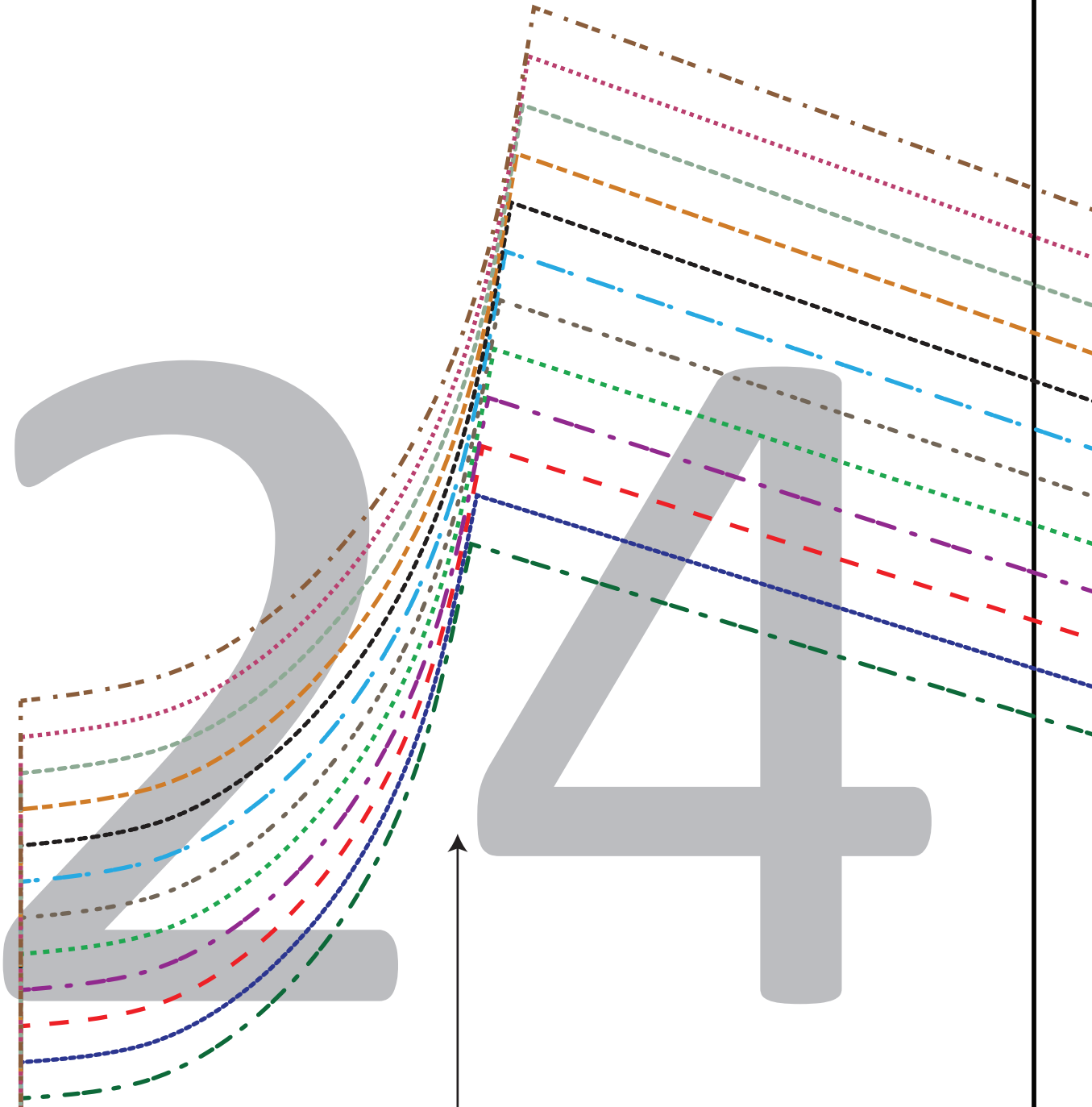
A Cup
Bottom Front

Cut 1 of Primary Fabric on Fold

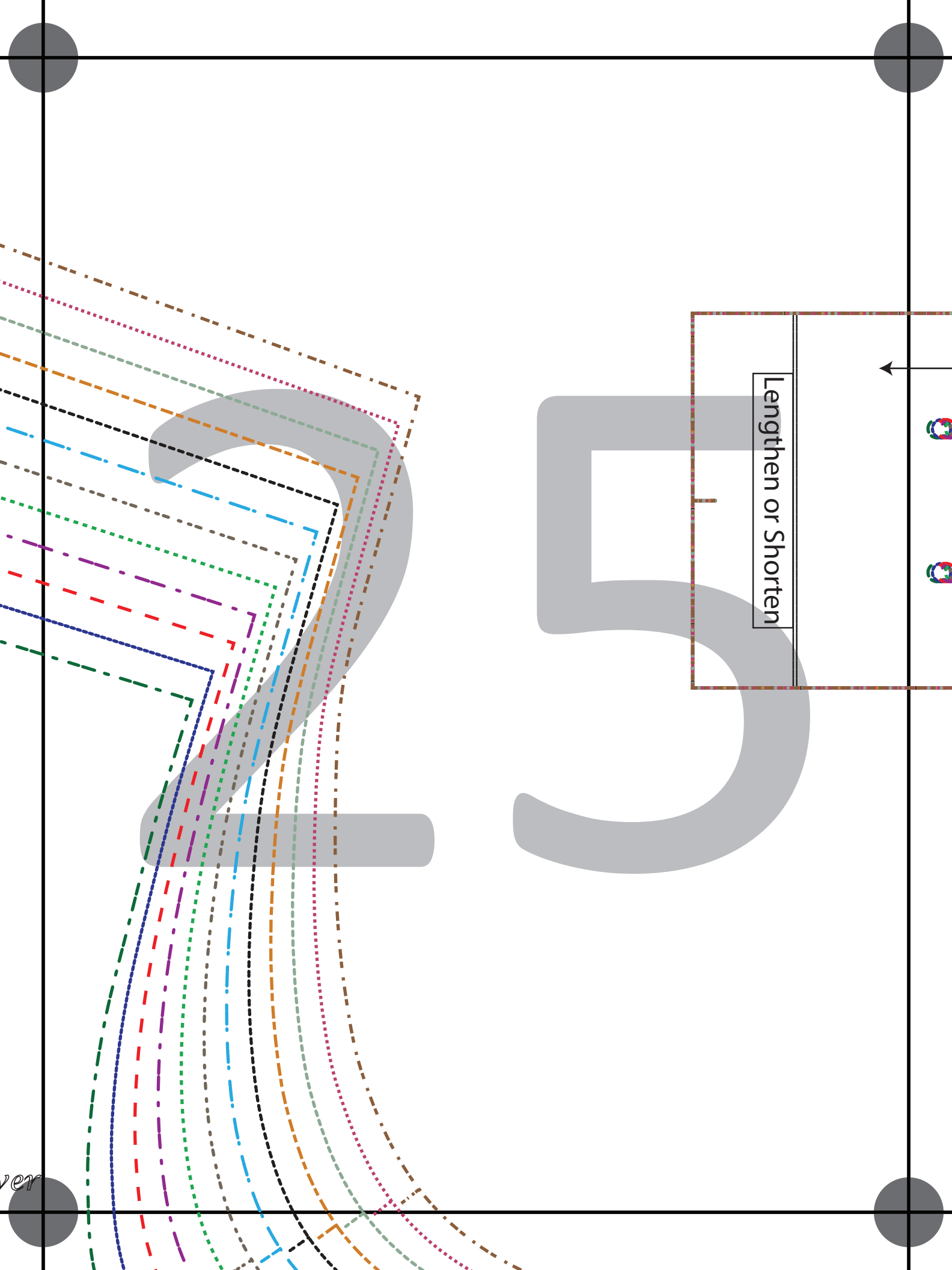
3/8" (1 cm) Seam Allowance Included







Bainbridge Pullover



Lengthen or Shorten

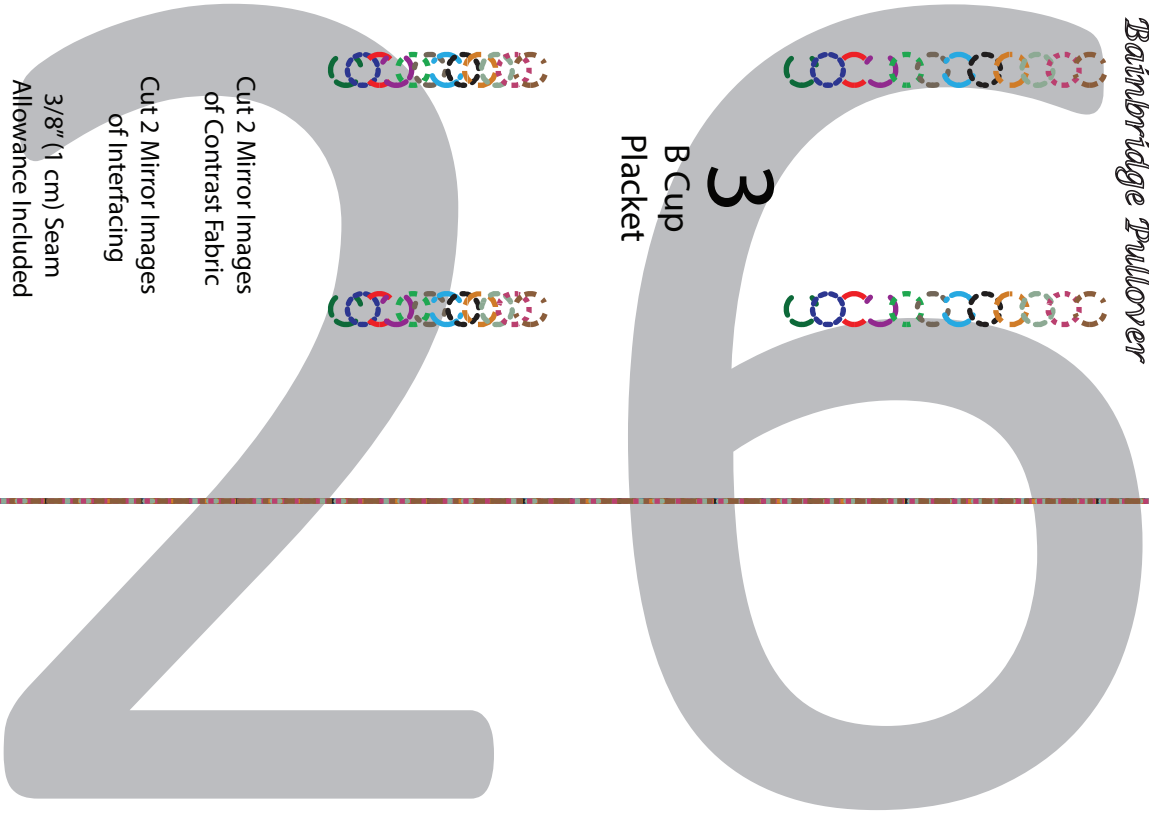


Bainbridge Pullover



3
B Cup
Placket

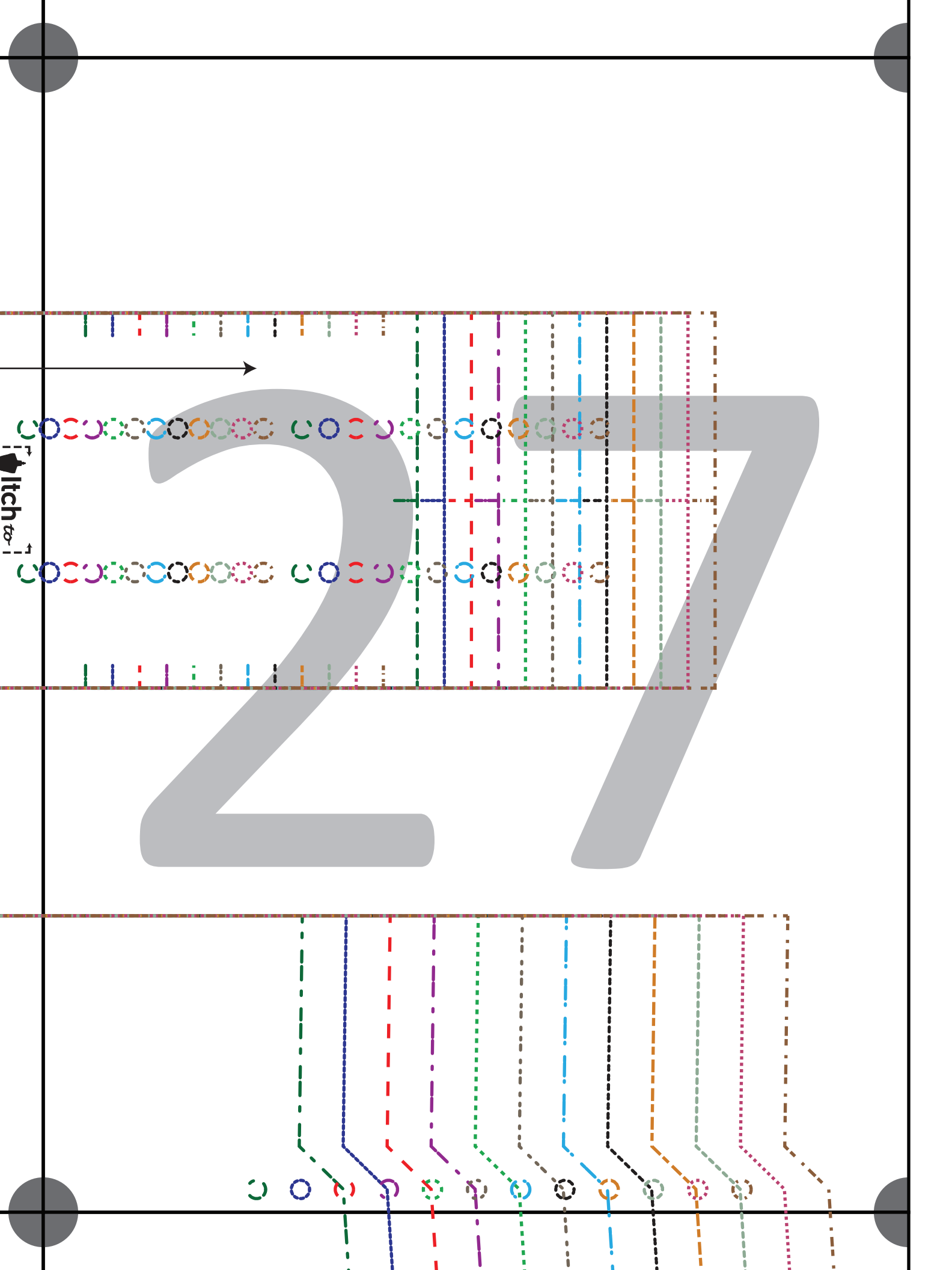
Grain Line



Cut 2 Mirror Images
of Contrast Fabric
Cut 2 Mirror Images
of Interfacing
3/8" (1 cm) Seam
Allowance Included

2
Bainbridge Pullover





itch to

Bainbridge Pullover

1

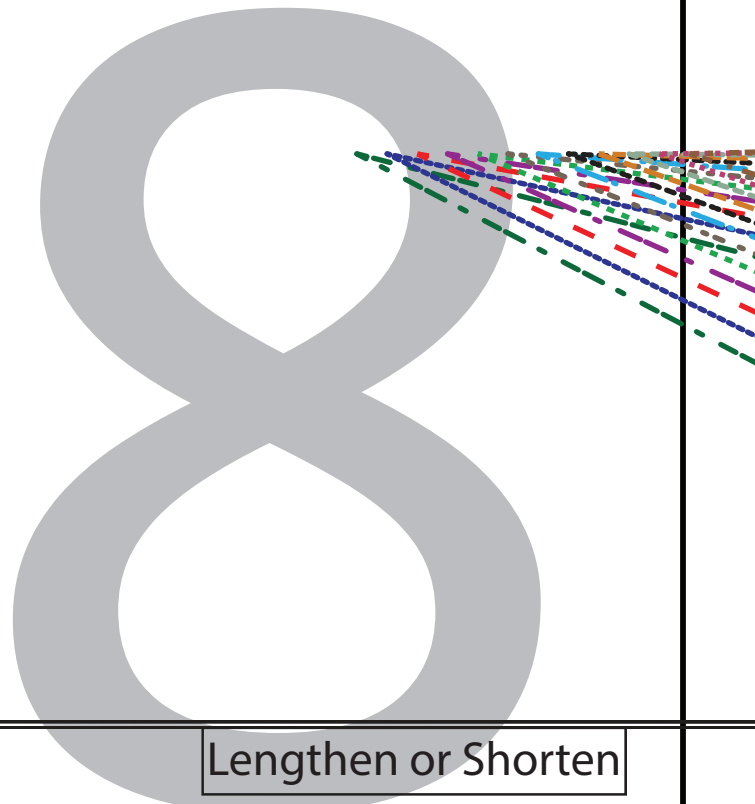
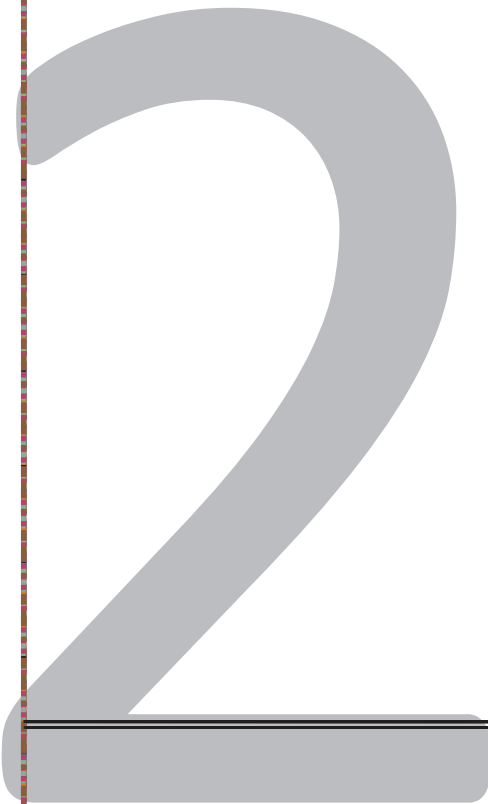
B Cup
Top Front

Cut 2 Mirror Images of Primary Fabric

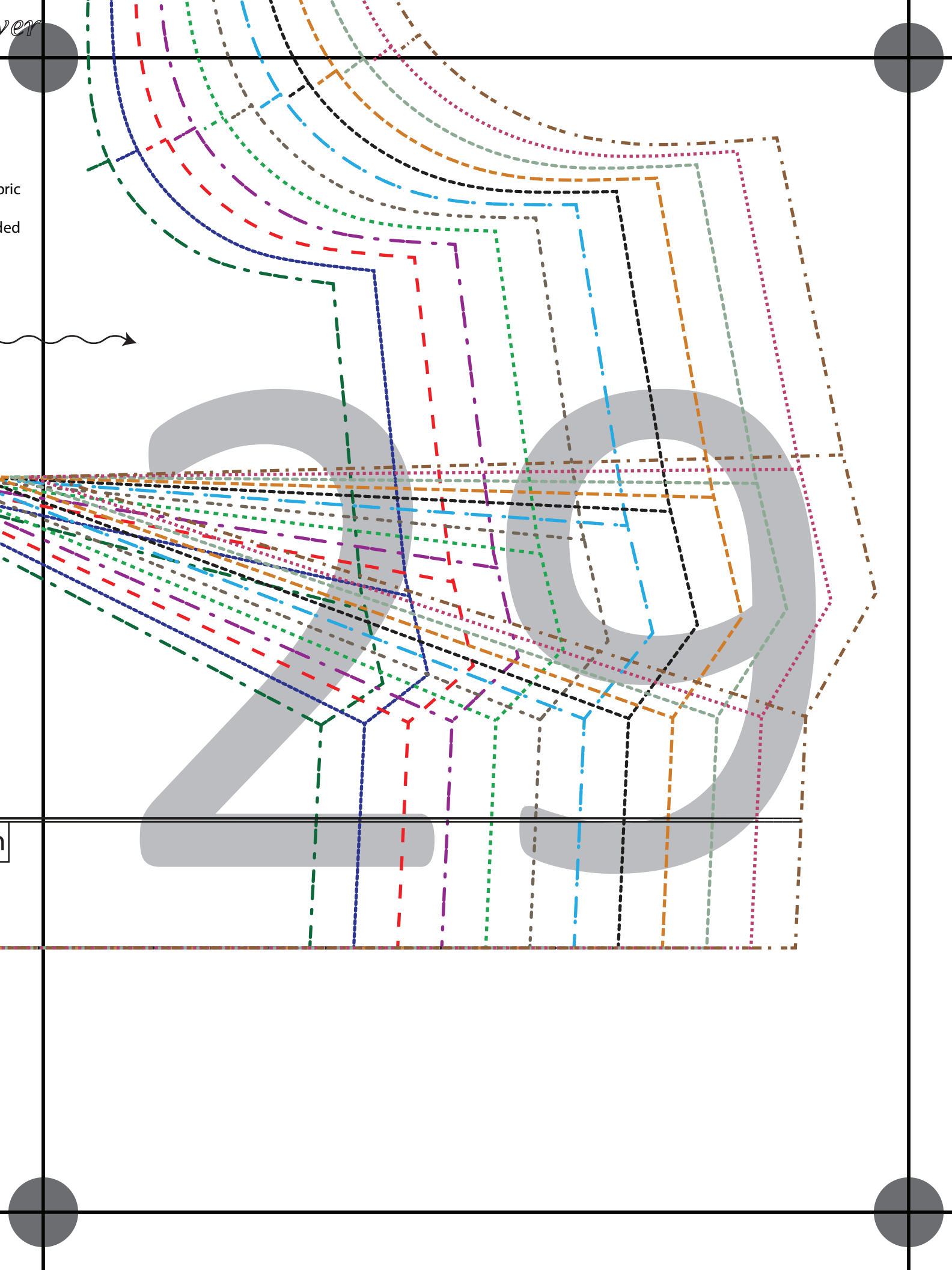
3/8" (1 cm) Seam Allowance Included

Grain Line

Stretch of Fabric



Lengthen or Shorten



Bainbridge Pullover

2

B Cup
Bottom Front

Cut 1 of Primary Fabric on Fold

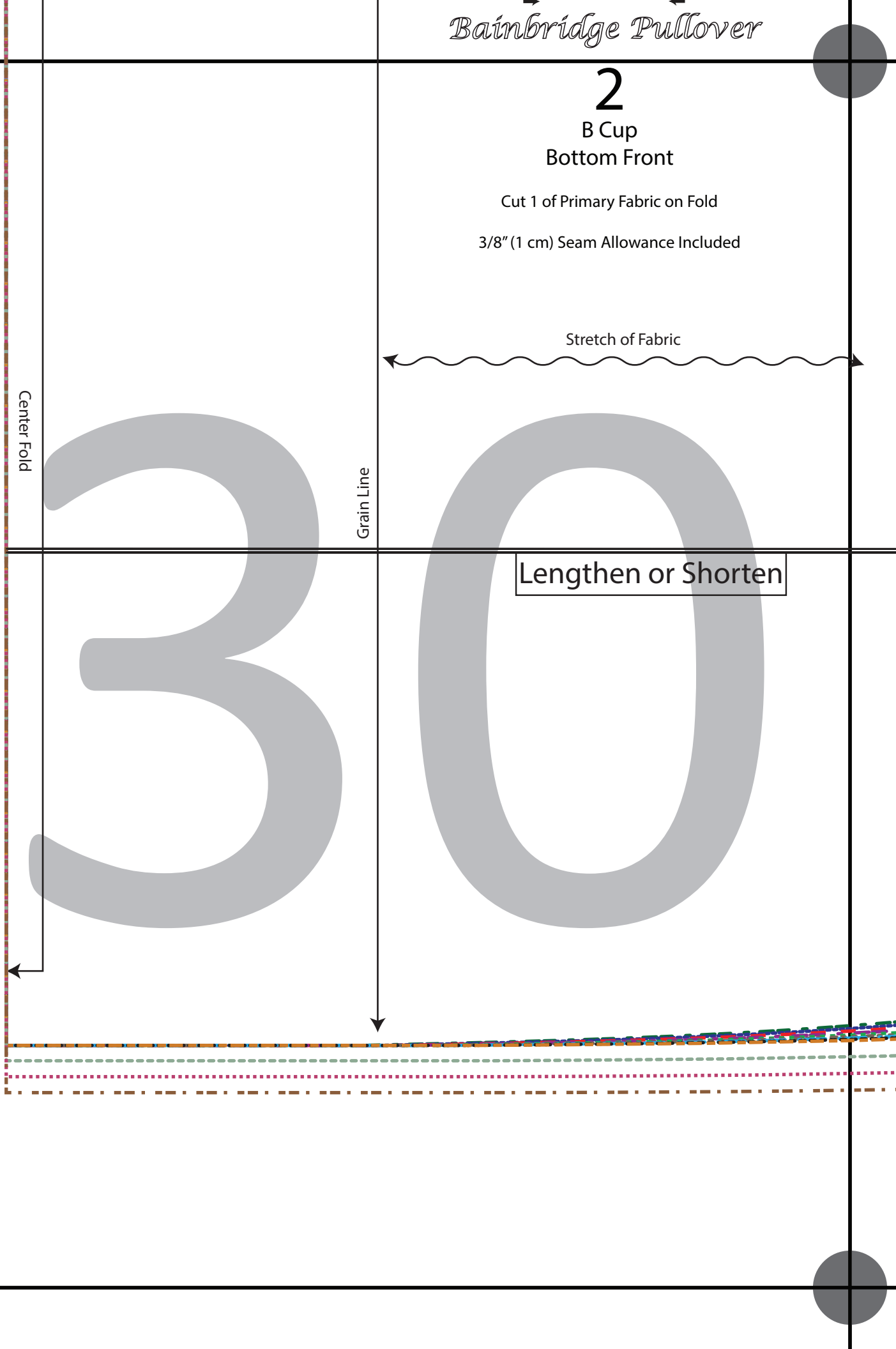
3/8" (1 cm) Seam Allowance Included

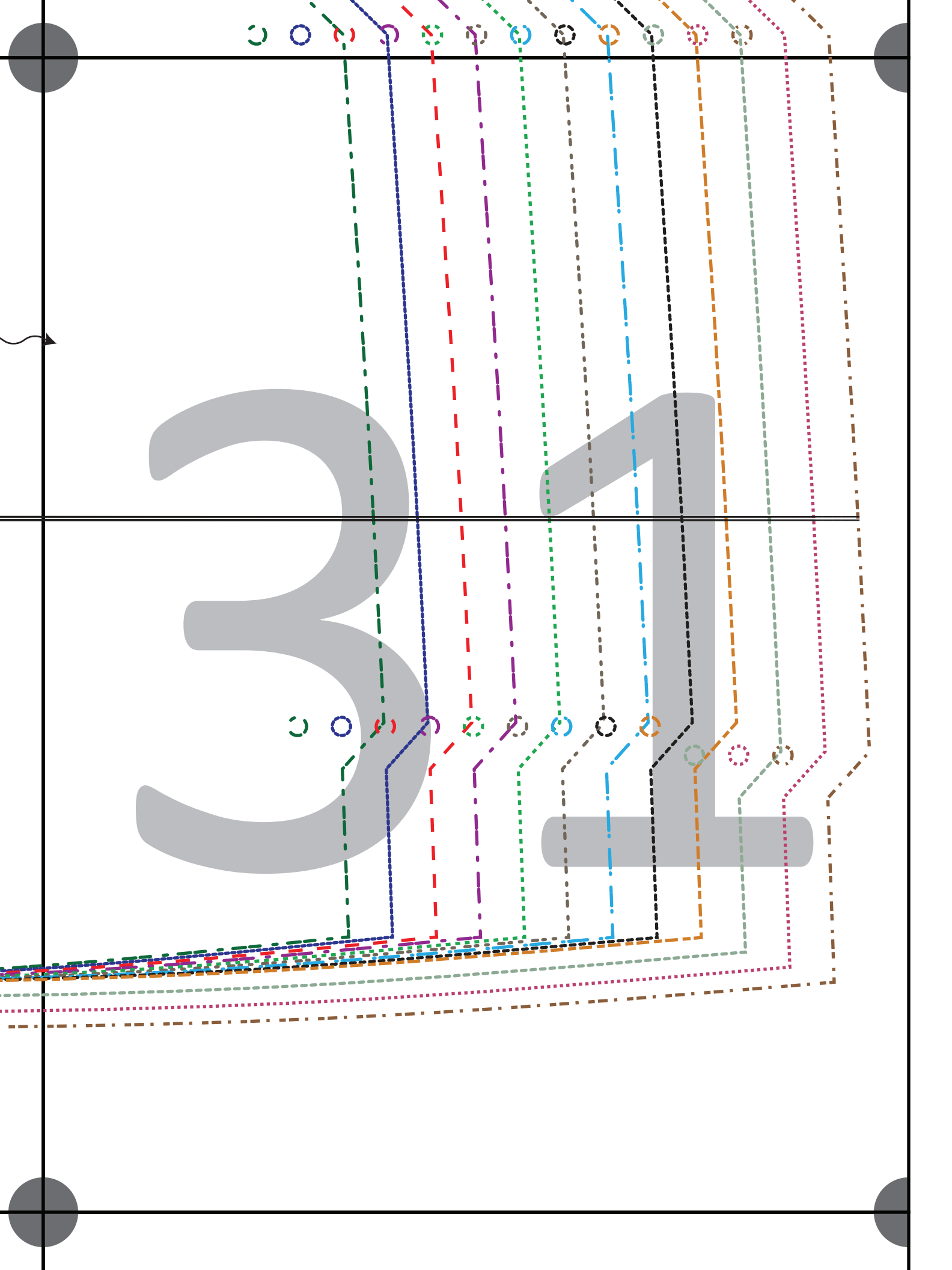
Stretch of Fabric

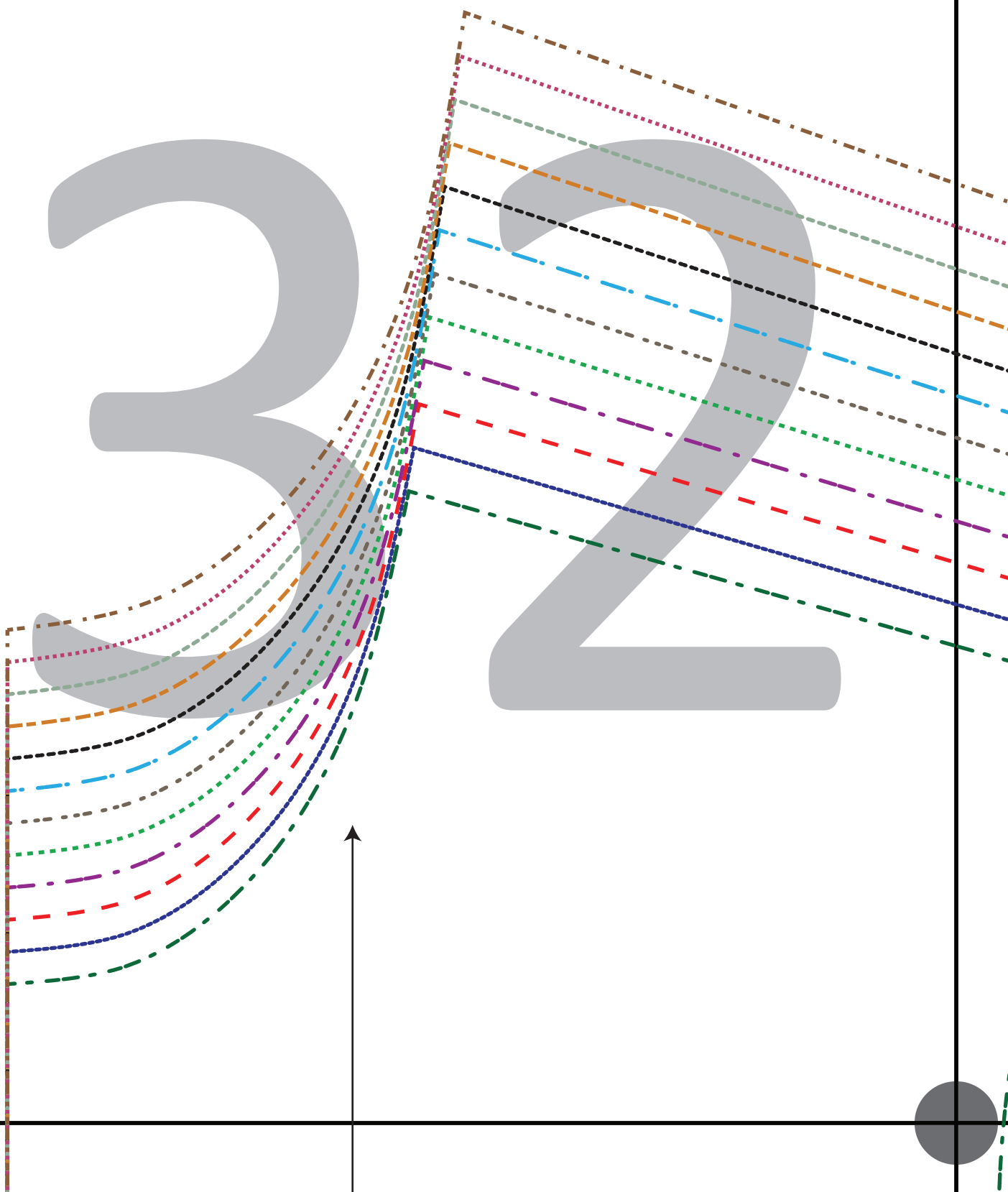
Center Fold

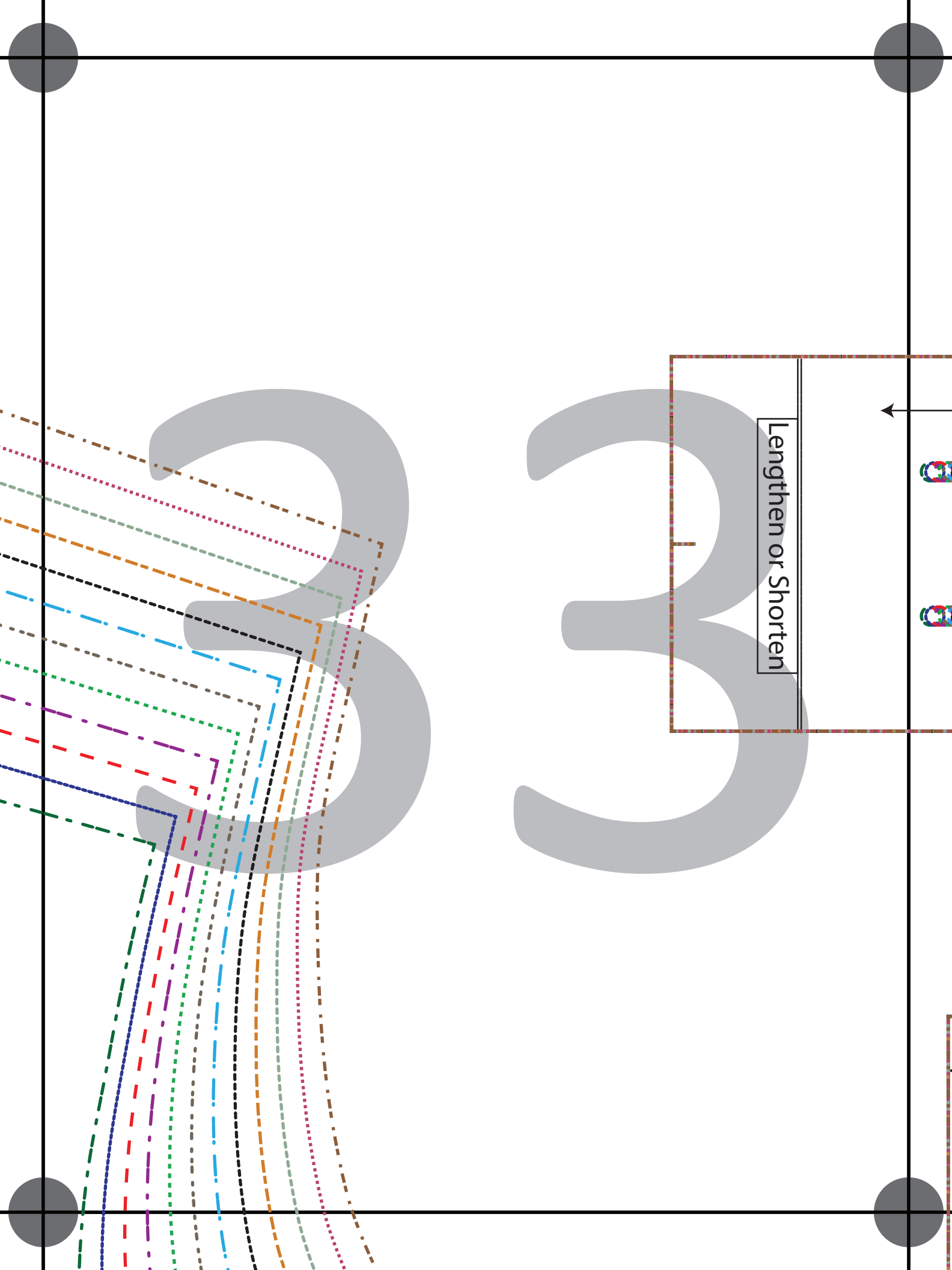
Grain Line

Lengthen or Shorten







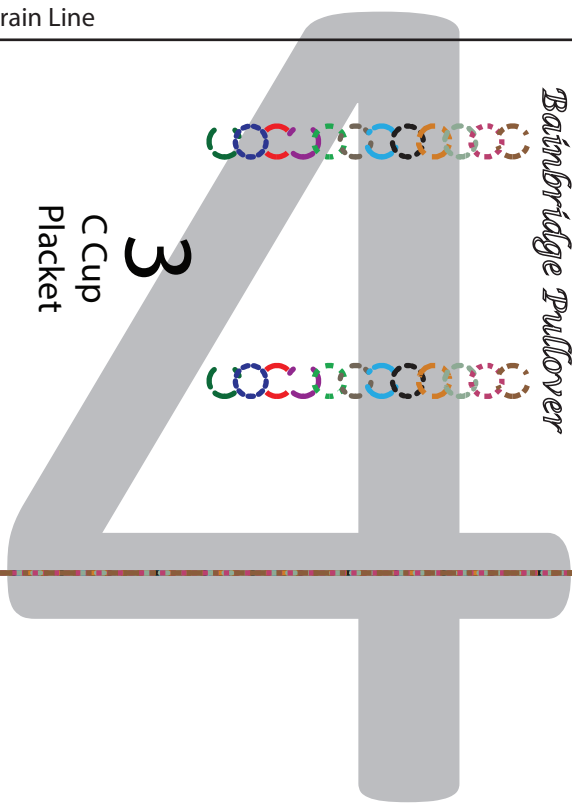


Lengthen or Shorten

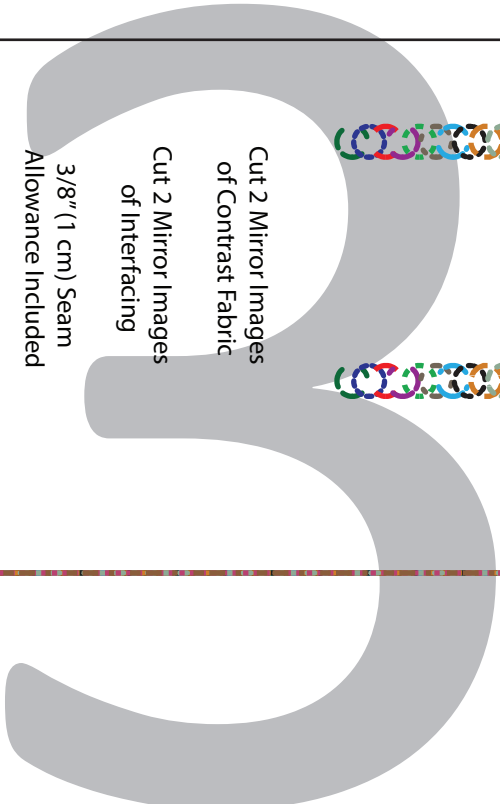
Bainbridge Pullover



Grain Line



C Cup
Placket

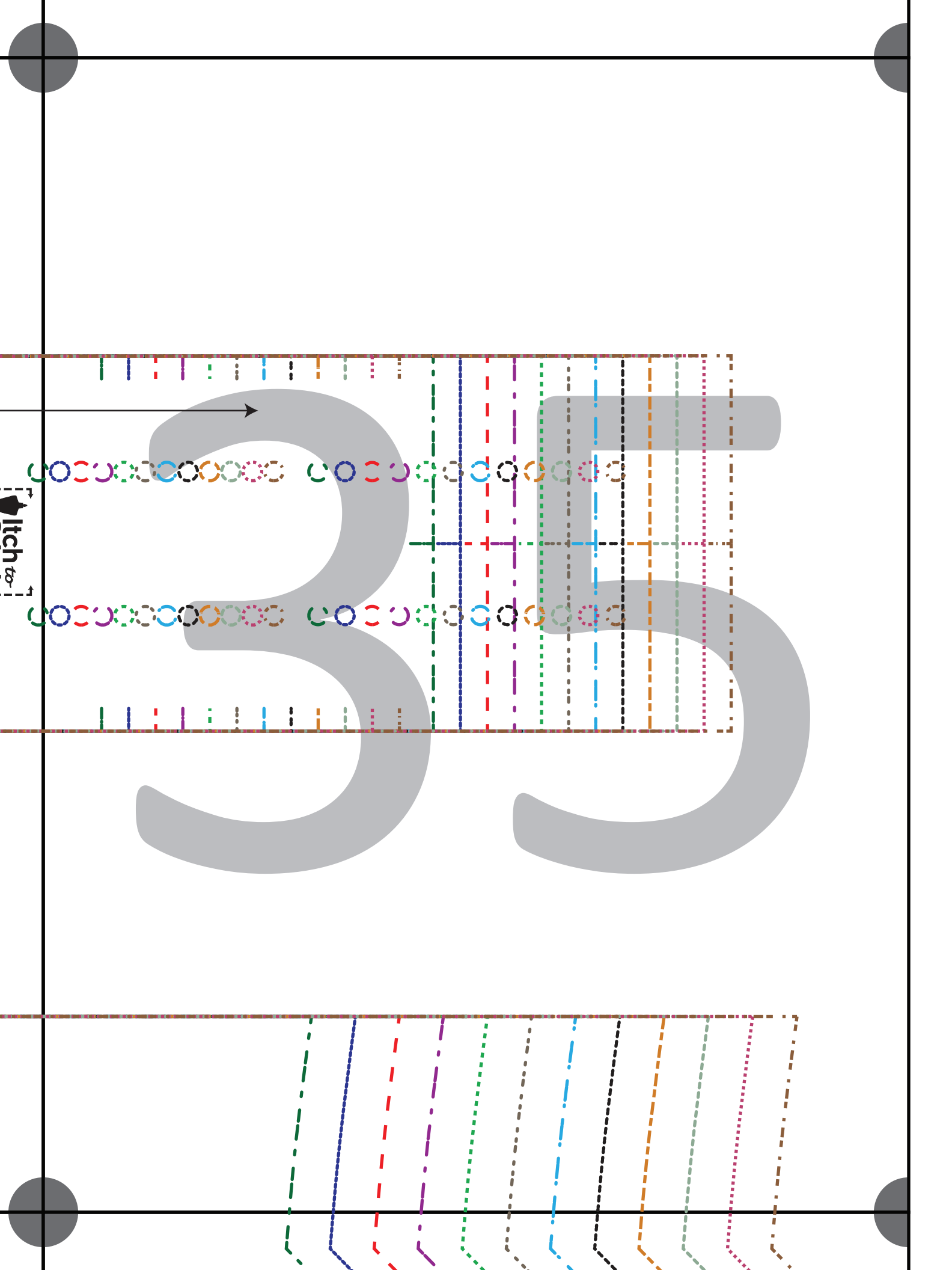


Cut 2 Mirror Images
of Contrast Fabric
Cut 2 Mirror Images
of Interfacing
3/8" (1 cm) Seam
Allowance Included

Bainbridge Pullover



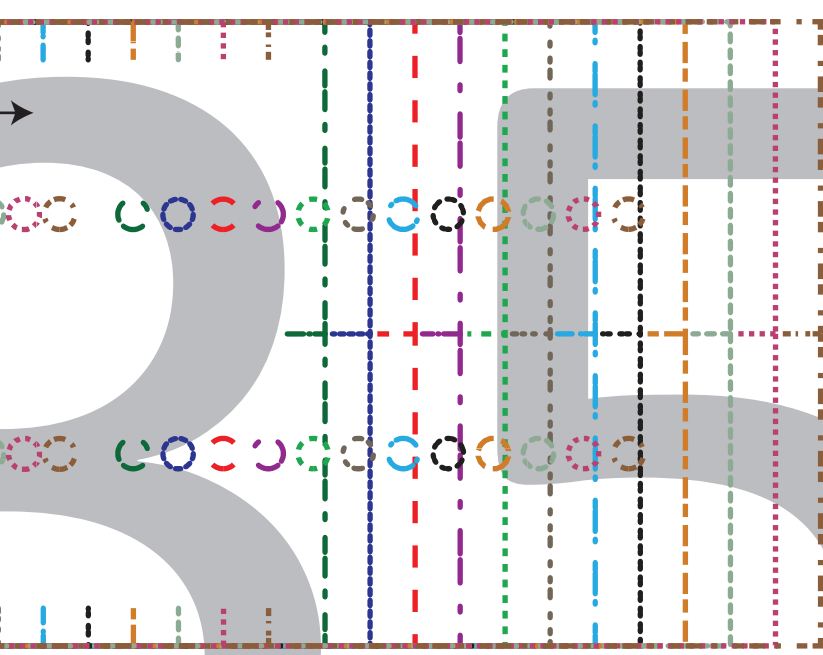
2



35

○
○ ○ ○ ○ ○ ○ ○ ○ ○ ○ ○ ○ ○ ○ ○ ○ ○ ○ ○ ○

Itch to





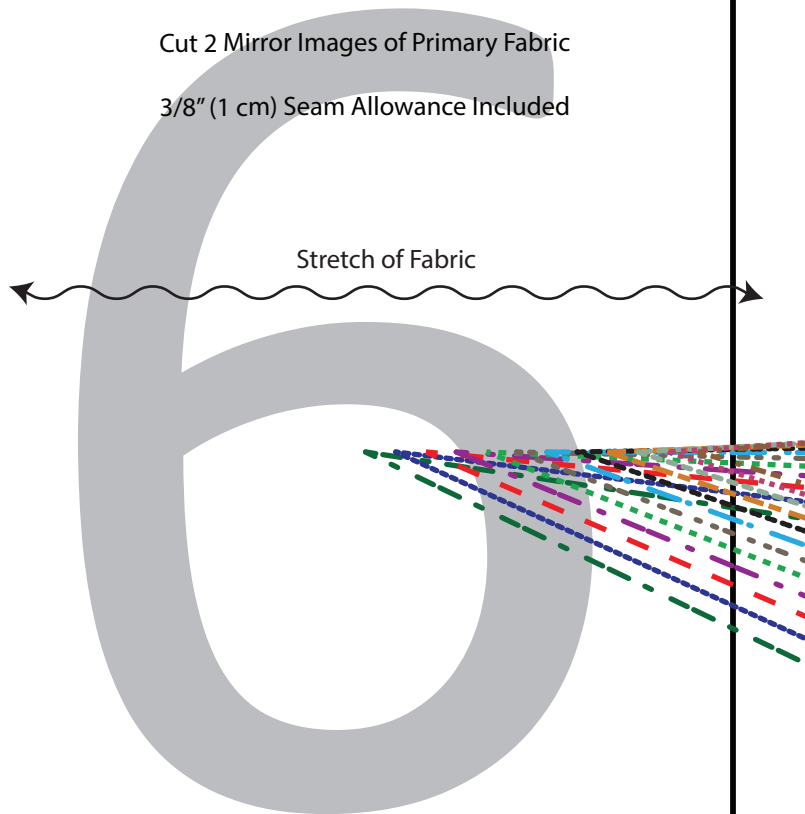
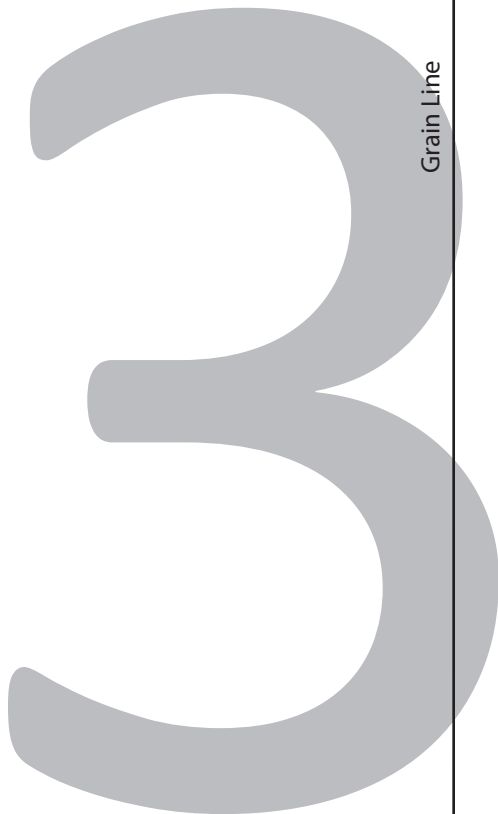
Bainbridge Pullover

1

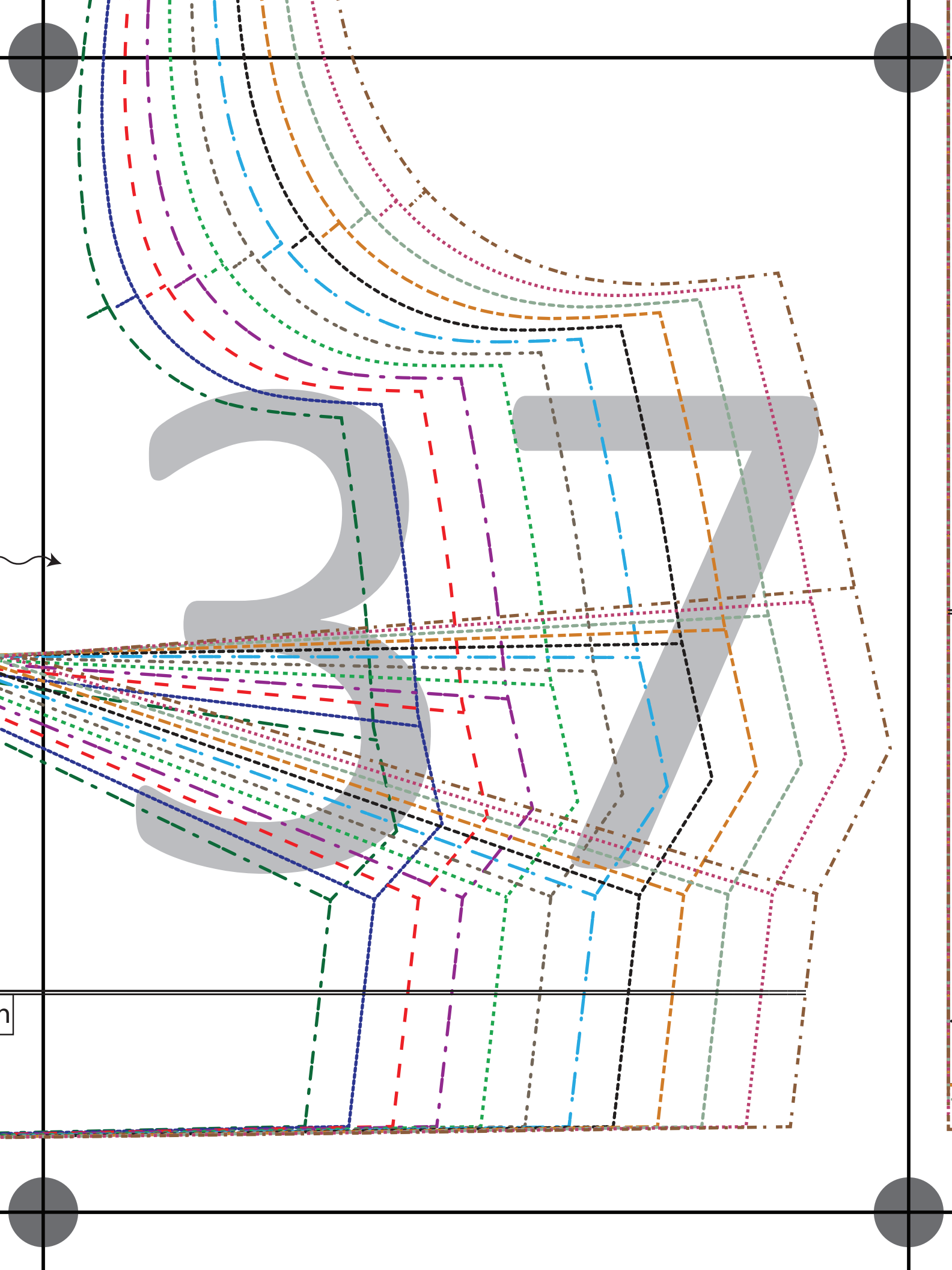
C Cup
Top Front

Cut 2 Mirror Images of Primary Fabric

3/8" (1 cm) Seam Allowance Included



Lengthen or Shorten



Bainbridge Pullover

2

C Cup
Bottom Front

Cut 1 of Primary Fabric on Fold

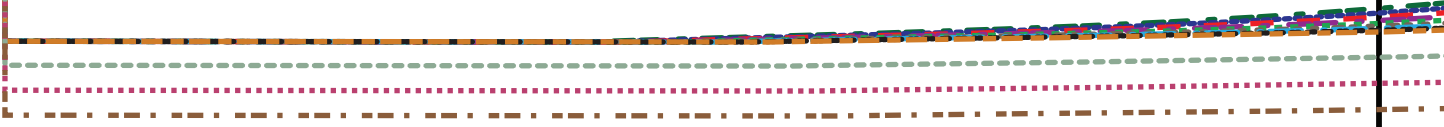
3/8" (1 cm) Seam Allowance Included

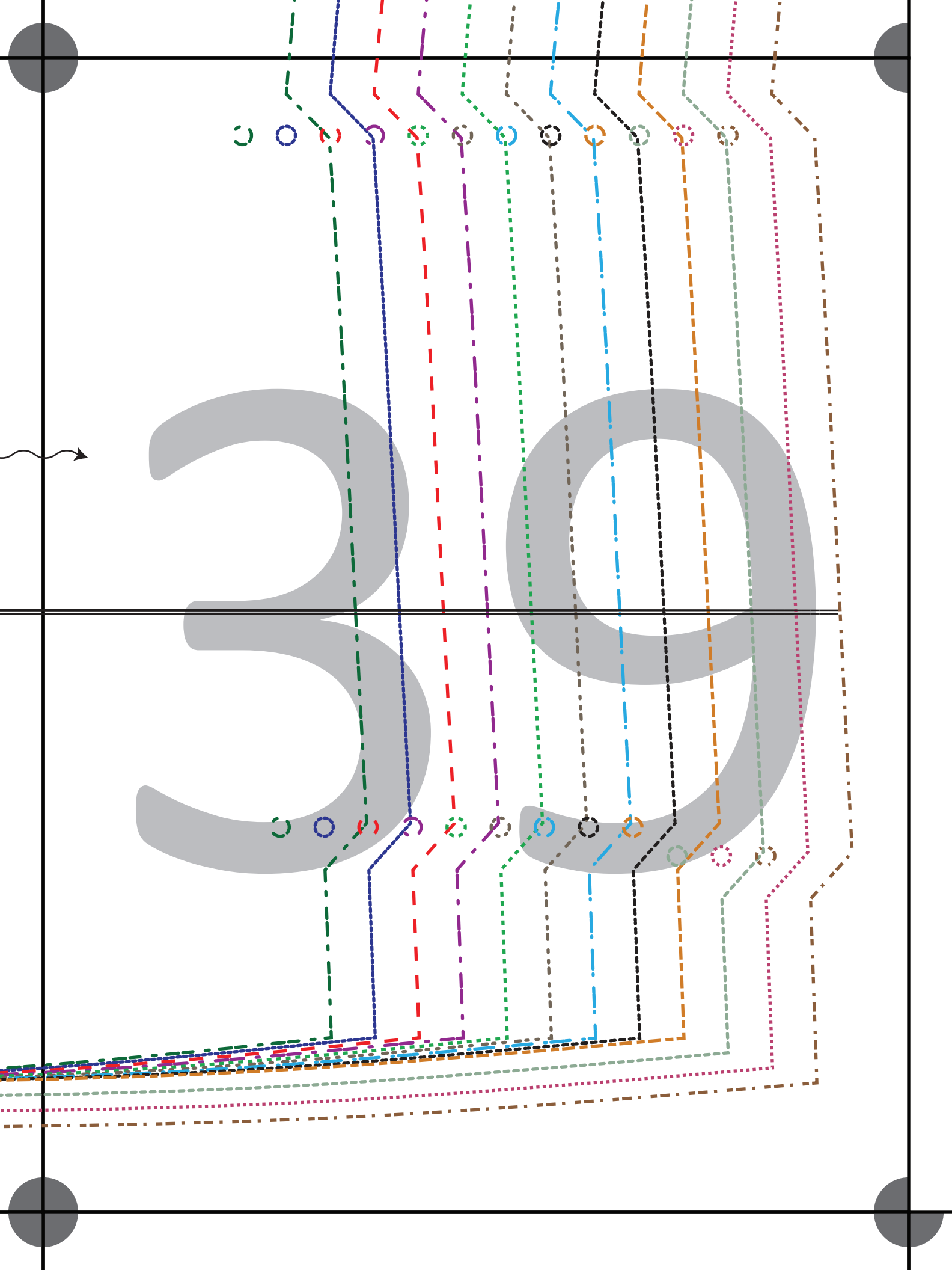
Center Fold

Grain Line

Stretch of Fabric

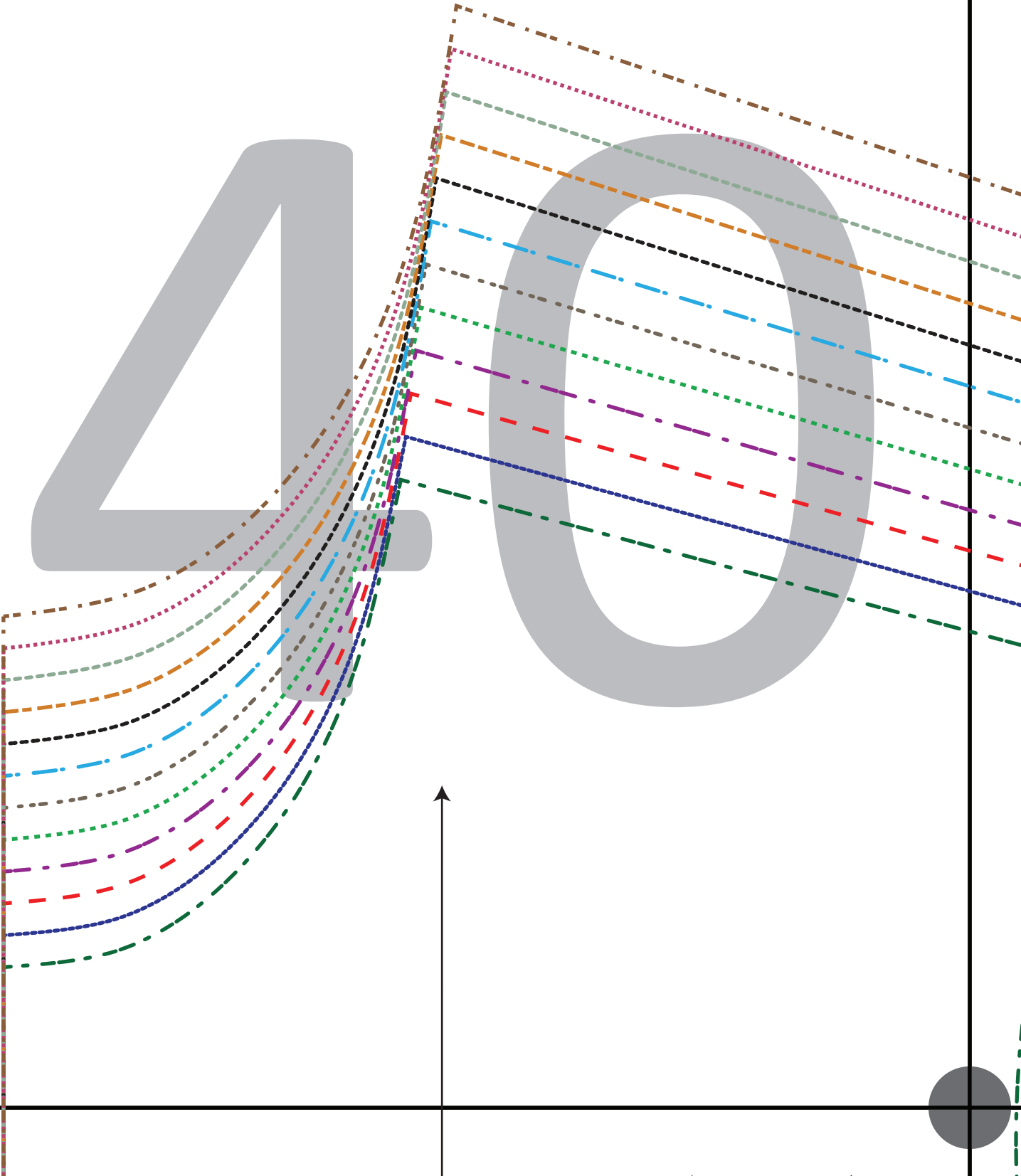
Lengthen or Shorten





4

0



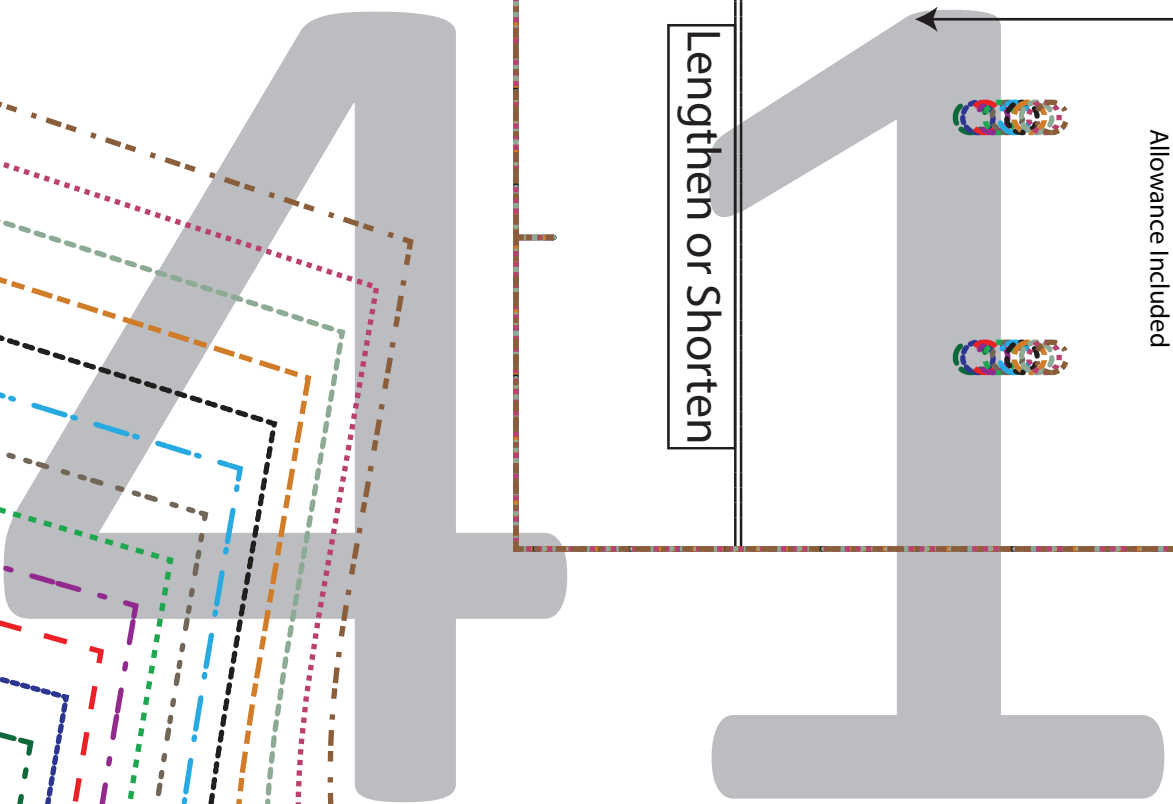
Cut 2 Mirror Images
of Contrast Fabric

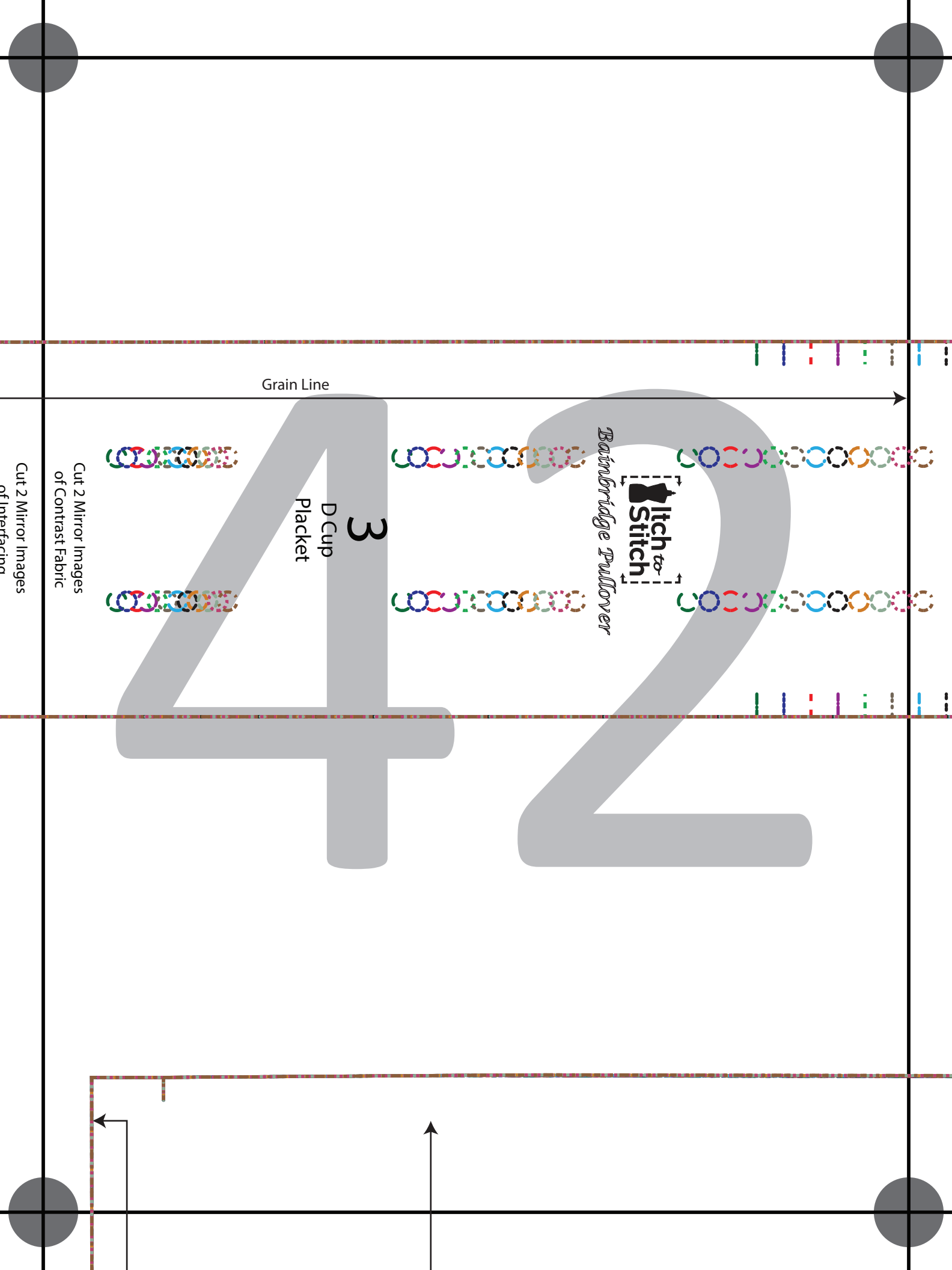
Cut 2 Mirror Images
of Interfacing

3/8" (1 cm) Seam
Allowance Included



Lengthen or Shorten





Grain Line

Bainbridge Pullover

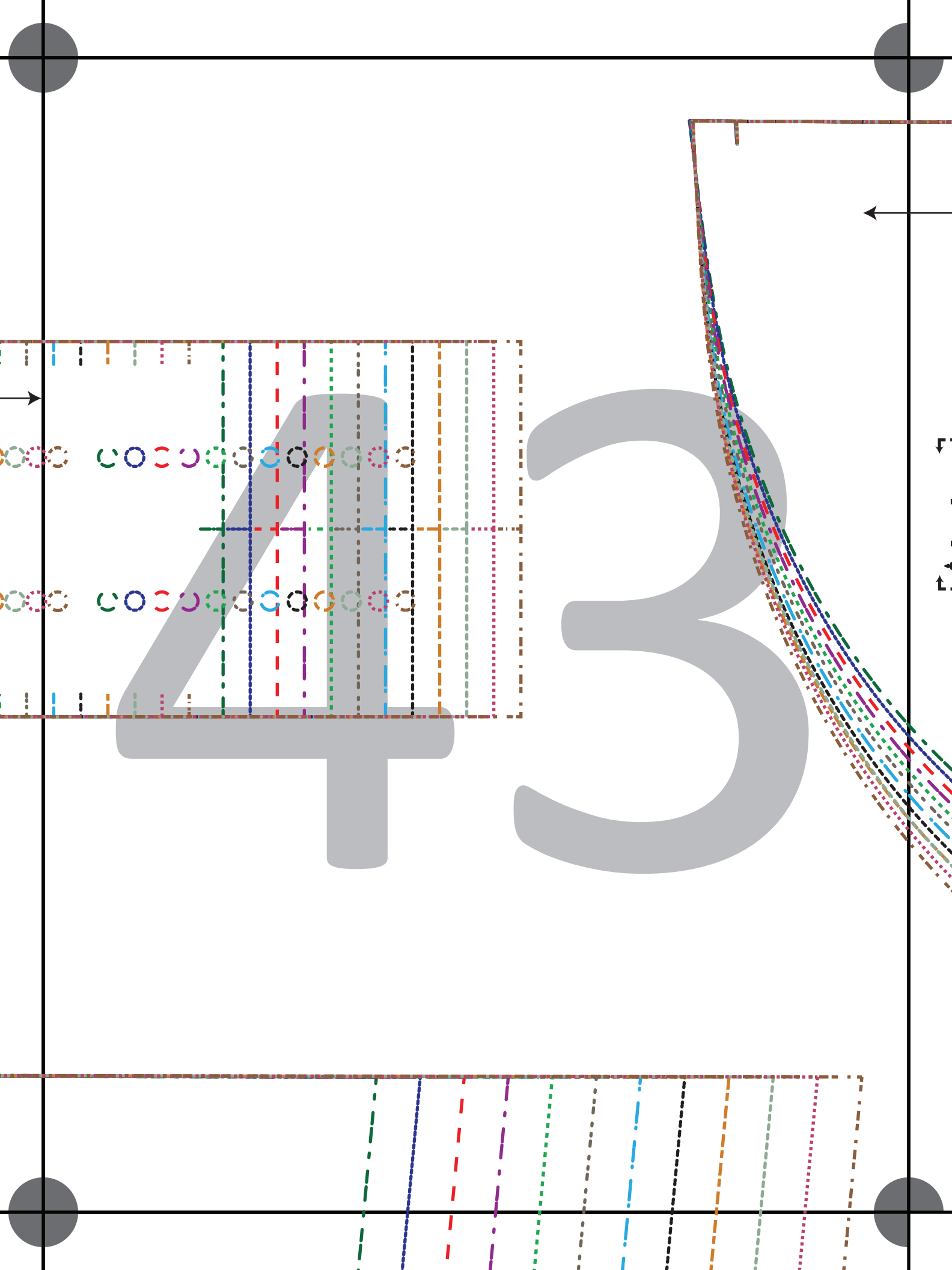
Stitch to
Stitch

3
D Cup
Placket

Cut 2 Mirror Images
of Contrast Fabric

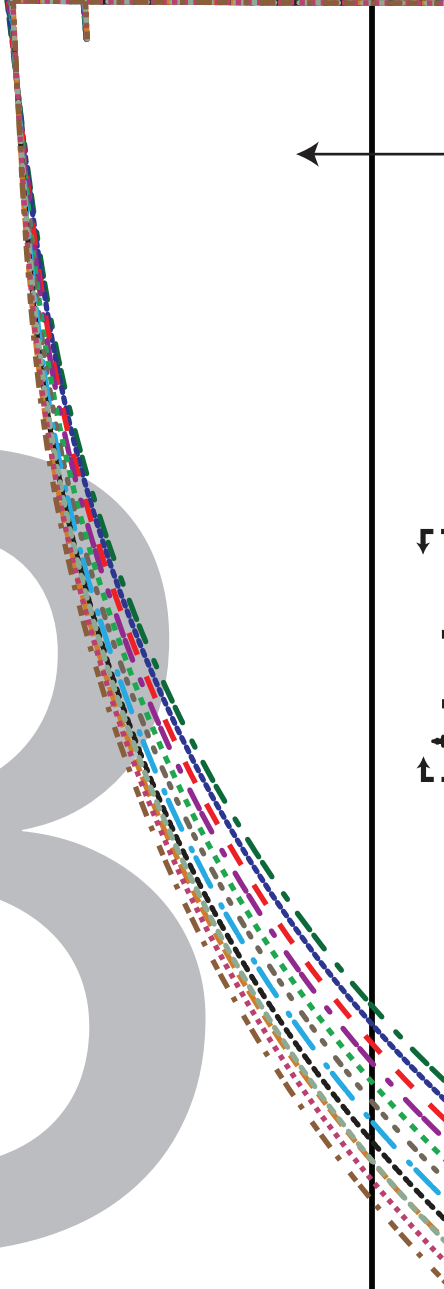
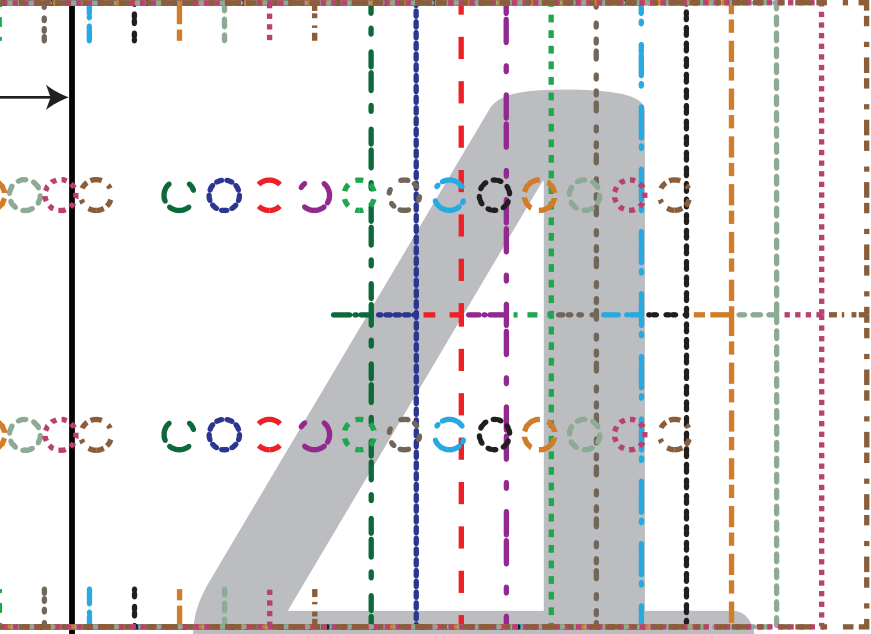
Cut 2 Mirror Images
of Interfacing





4

3





Bainbridge Pullover

7

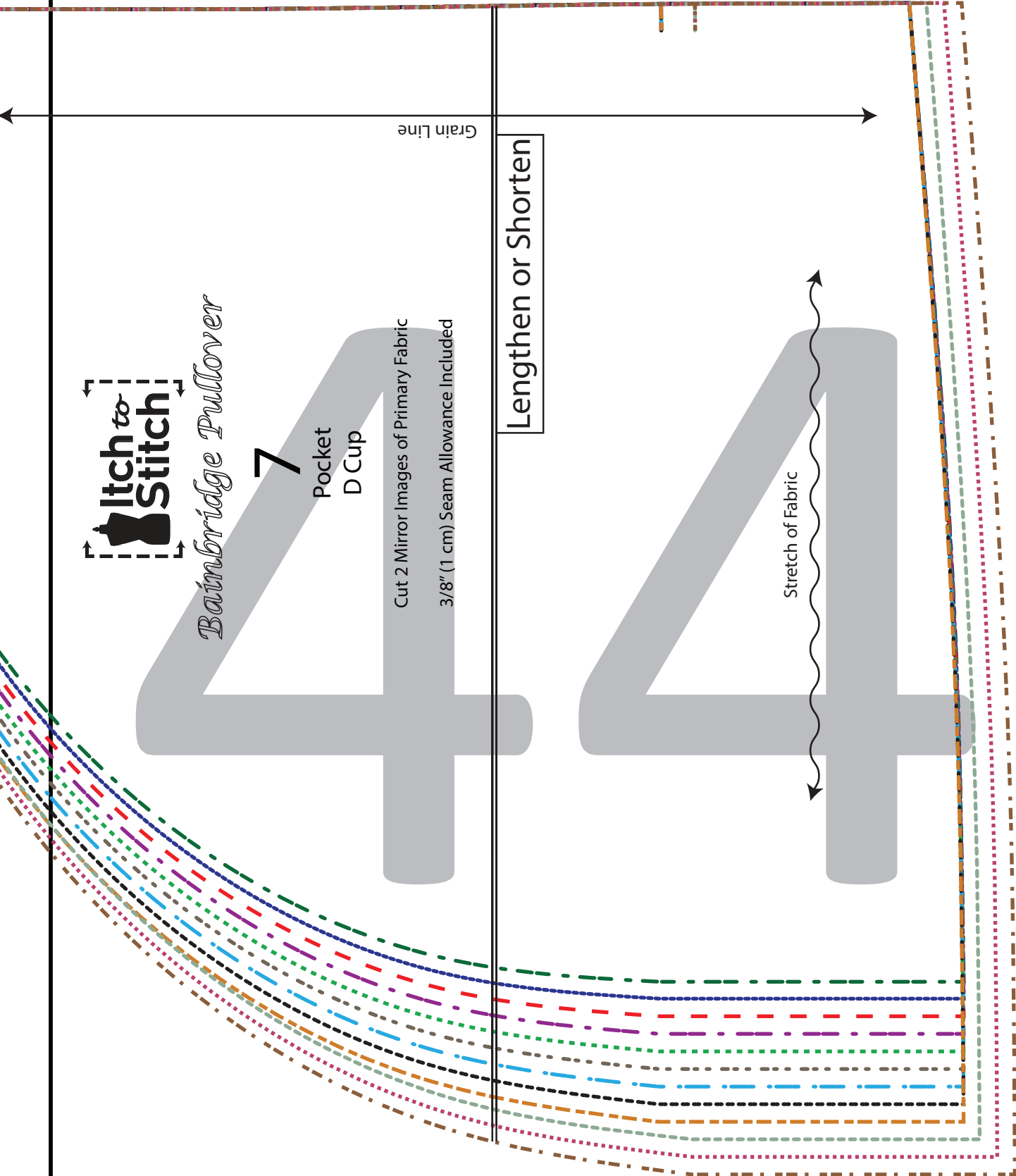
Pocket
D Cup

Cut 2 Mirror Images of Primary Fabric
3/8" (1 cm) Seam Allowance Included

Grain Line

Lengthen or Shorten

Stretch of Fabric





Bainbridge Pullover

1

D Cup
Top Front

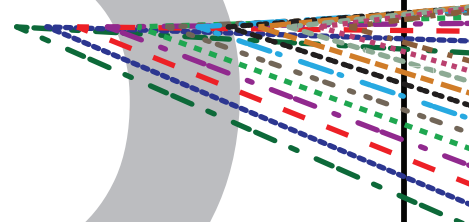
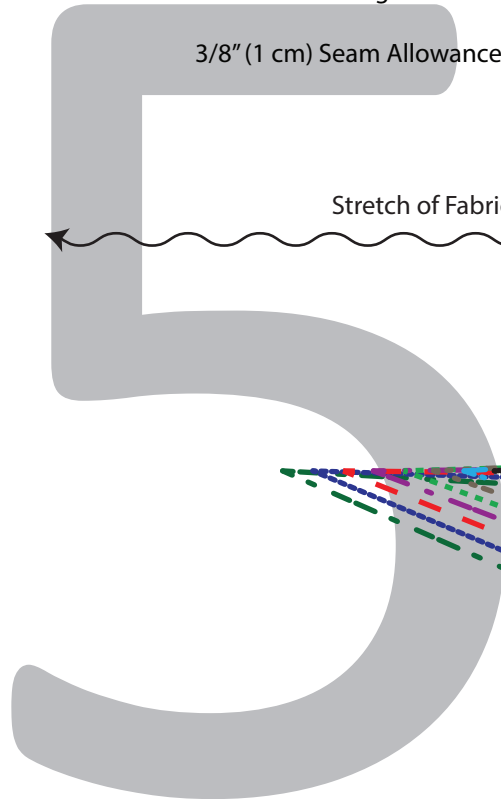
Cut 2 Mirror Images of Primary Fabric

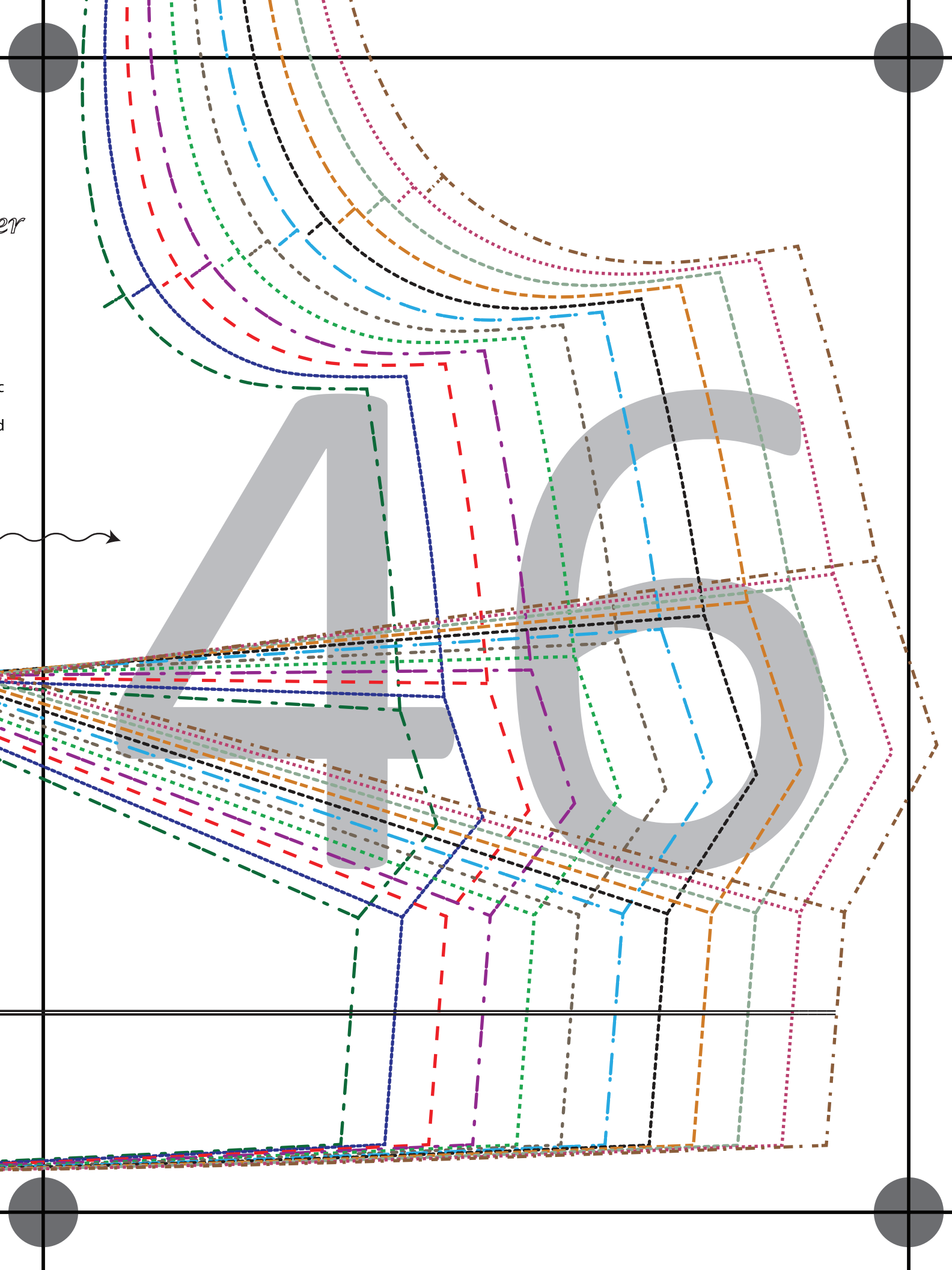
3/8" (1 cm) Seam Allowance Included

Stretch of Fabric

Grain Line

Lengthen or Shorten







Bainbridge Pullover

2

D Cup
Bottom Front

Cut 1 of Primary Fabric on Fold

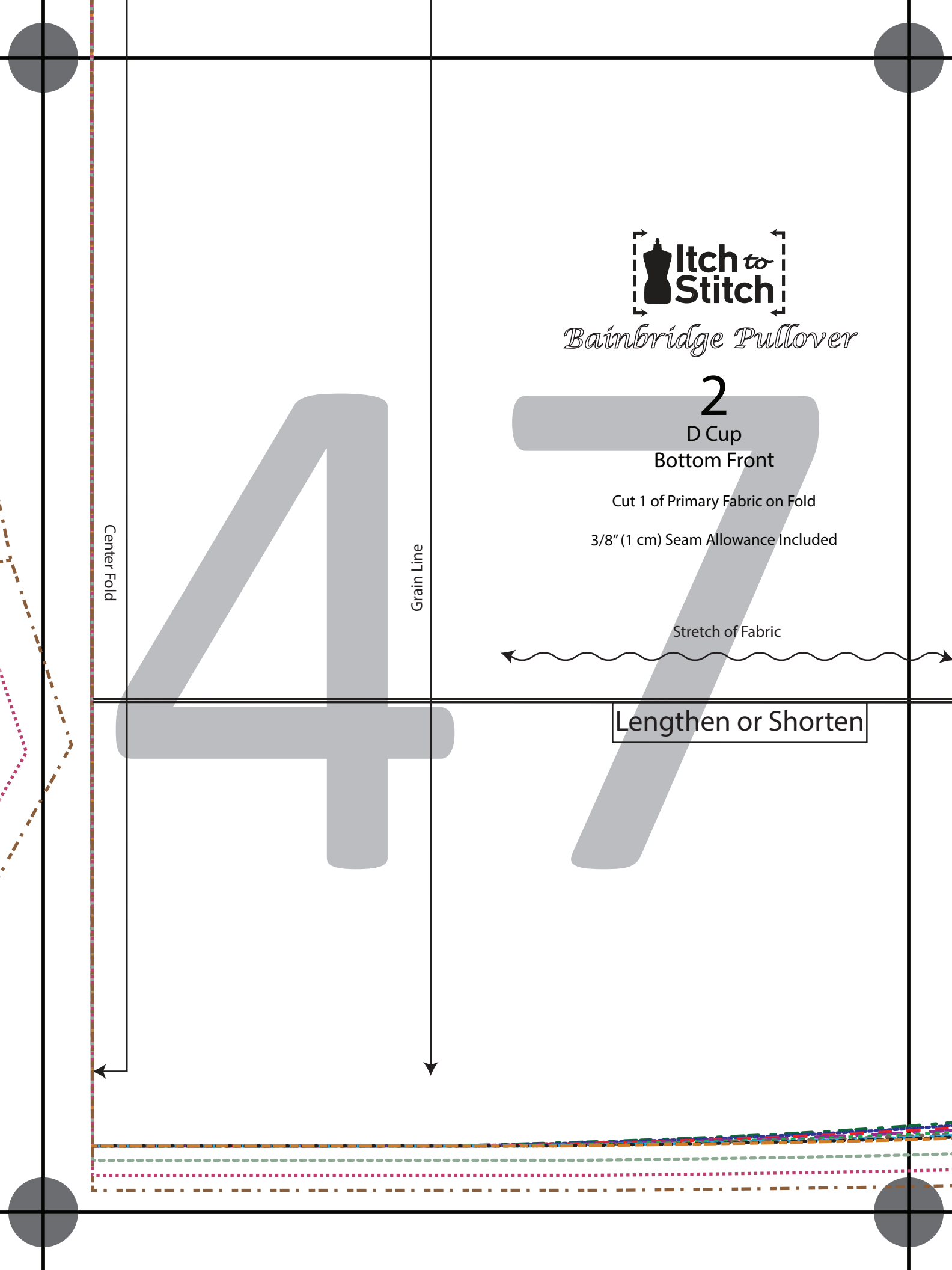
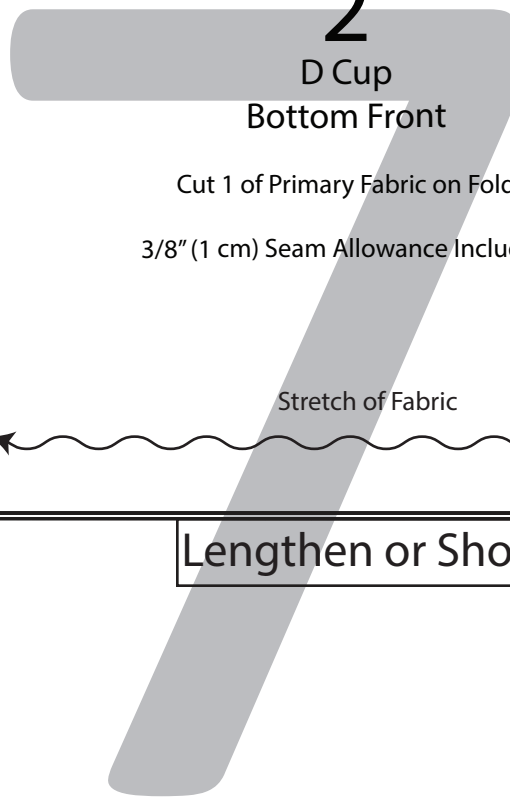
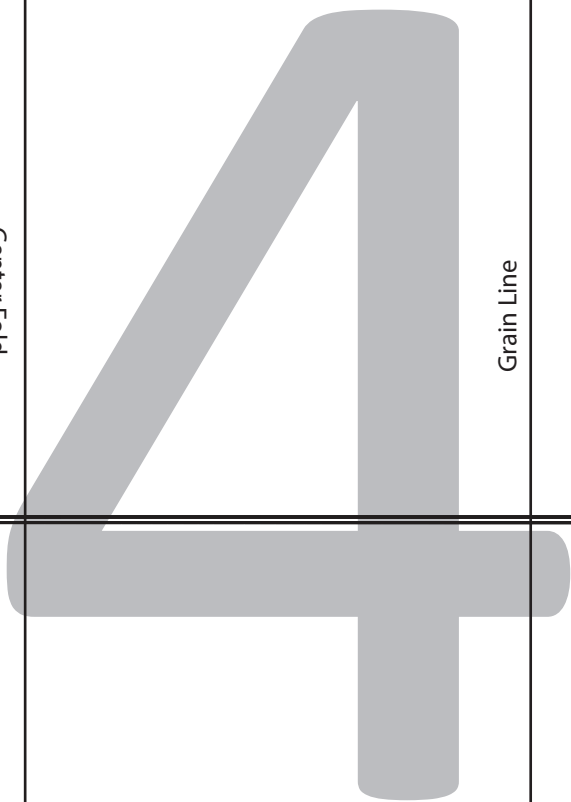
3/8" (1 cm) Seam Allowance Included

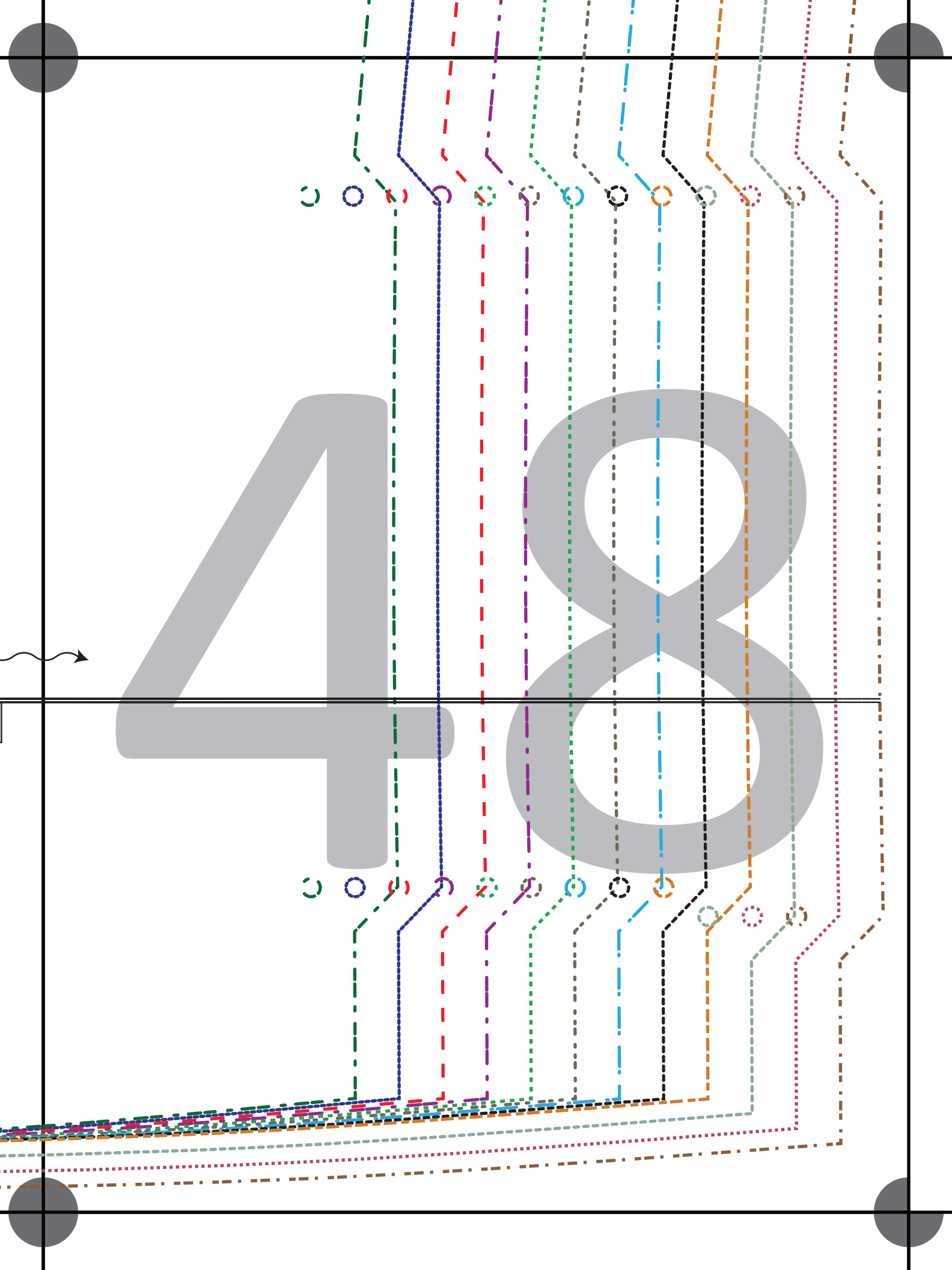
Stretch of Fabric

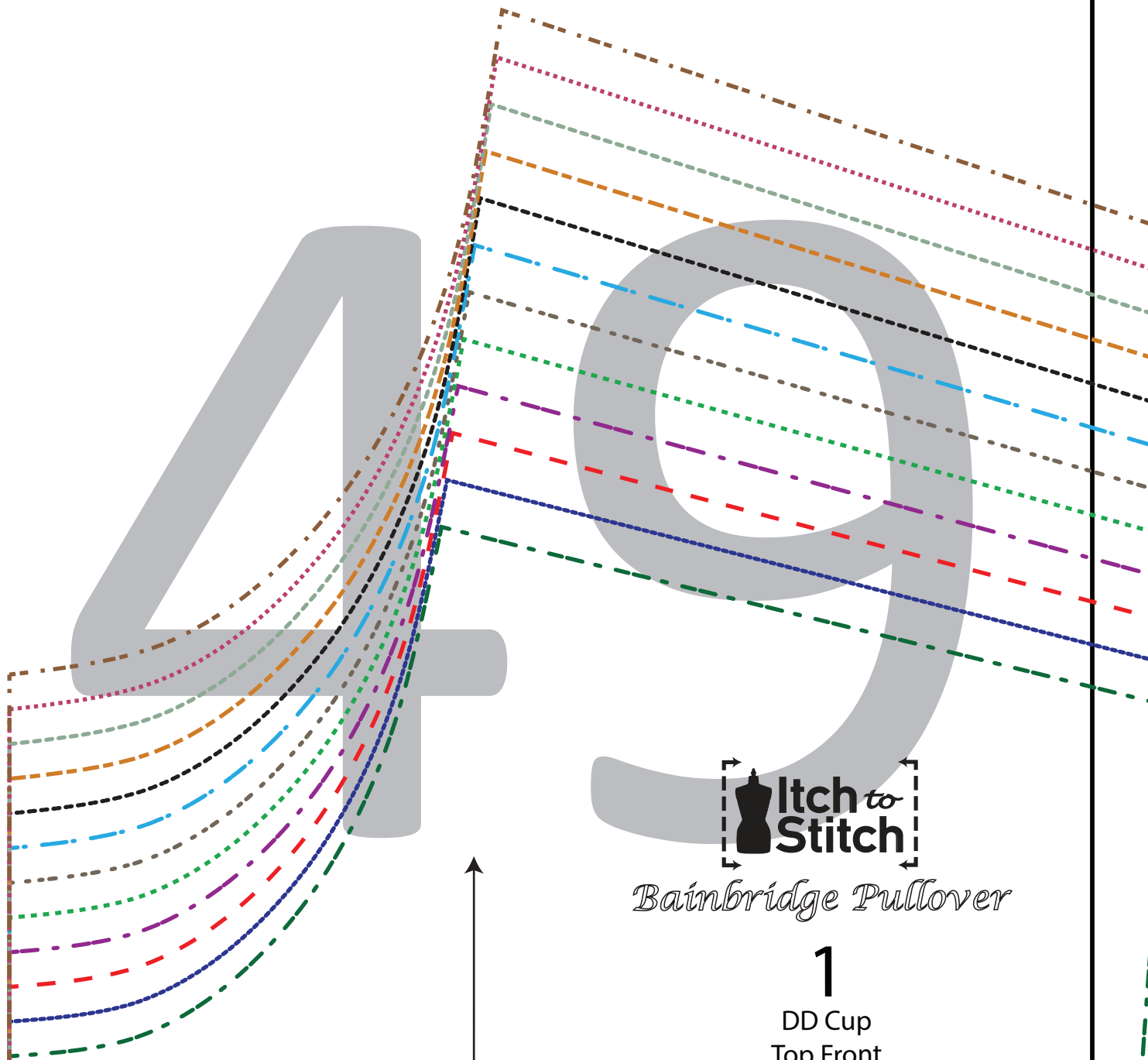
Lengthen or Shorten

Center Fold

Grain Line







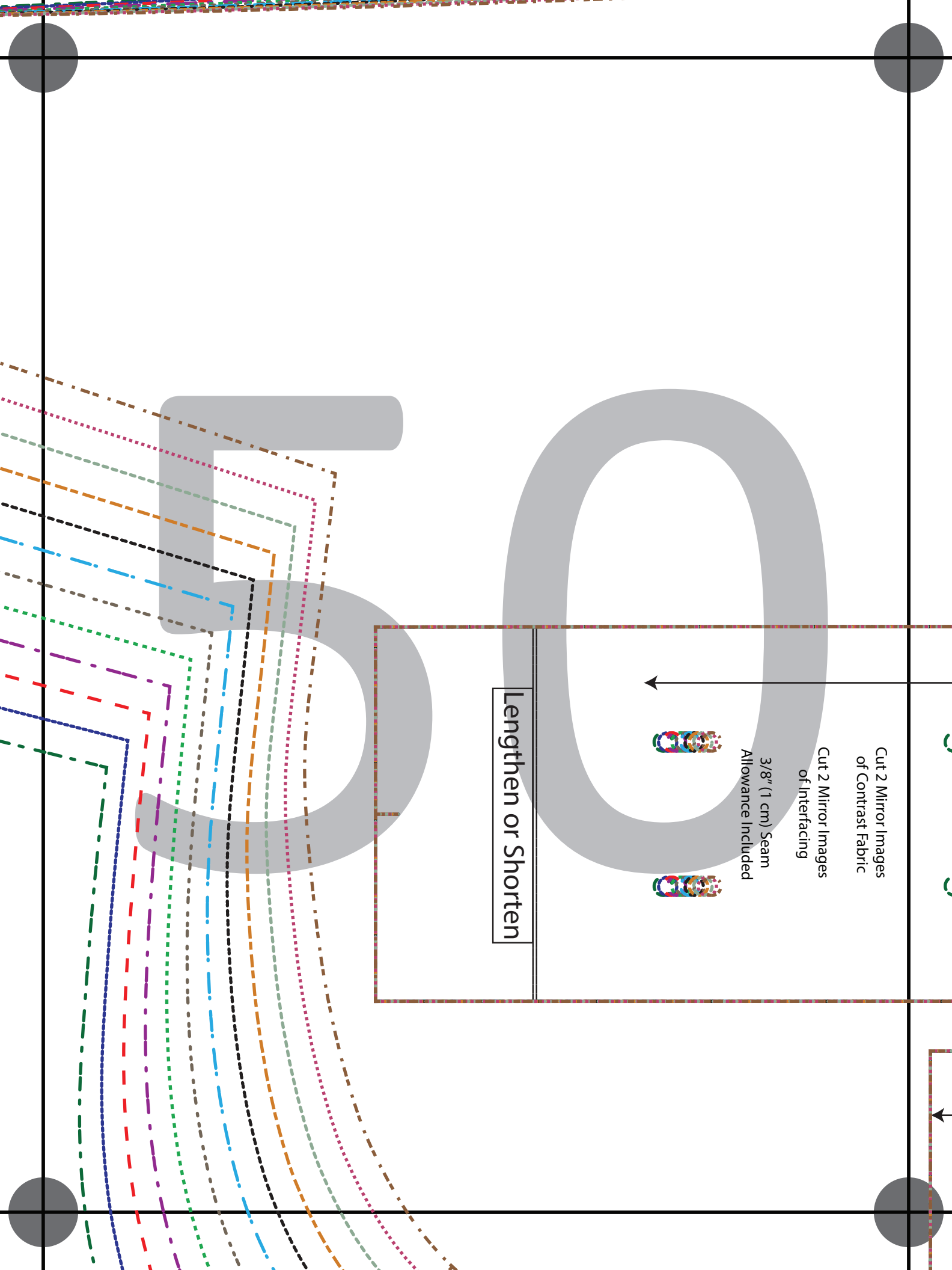
Bainbridge Pullover

1

DD Cup
Top Front

Cut 2 Mirror Images of Primary Fabric

3/8" (1 cm) Seam Allowance Included



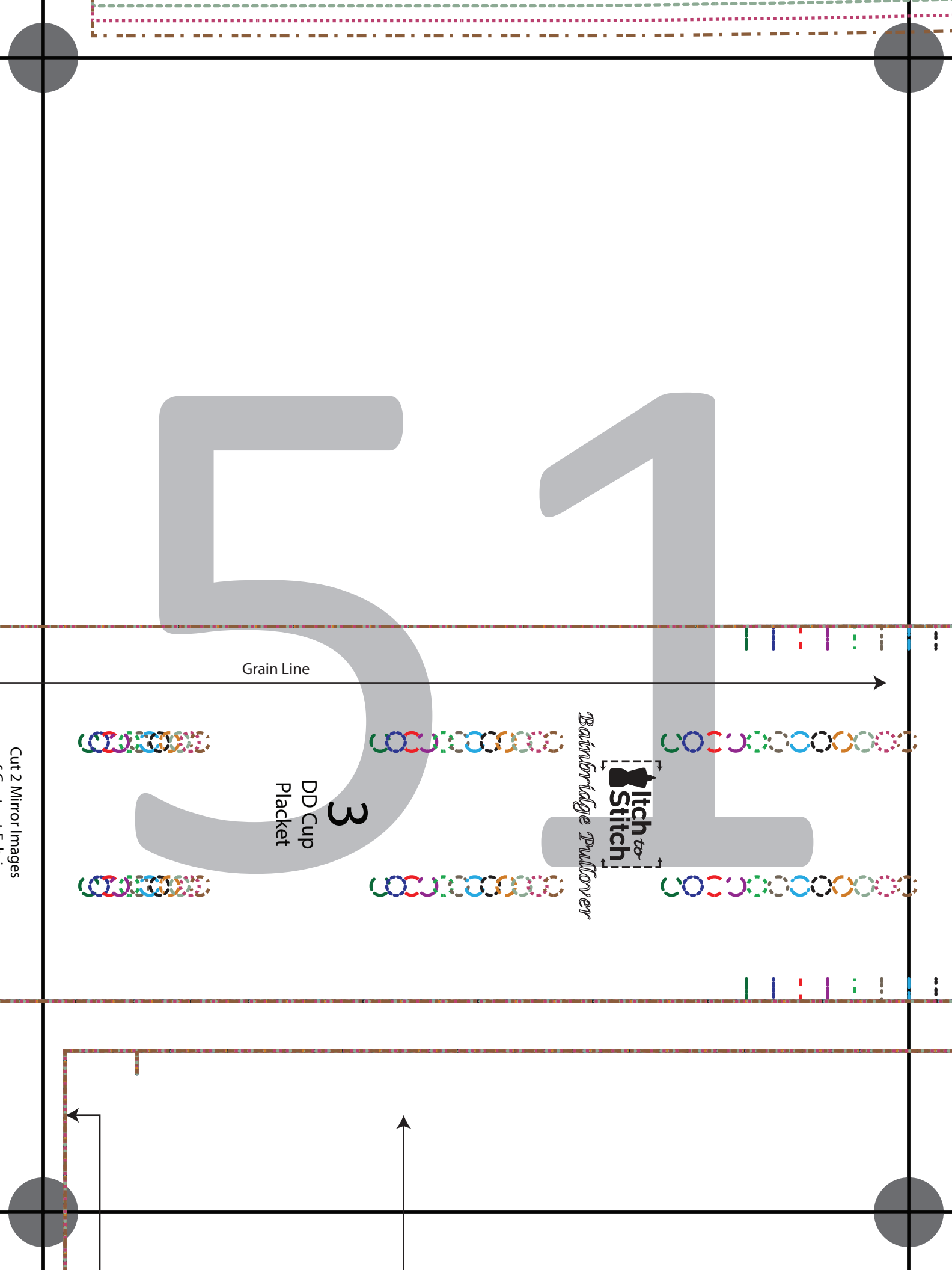
Cut 2 Mirror Images
of Contrast Fabric

Cut 2 Mirror Images
of Interfacing

3/8" (1 cm) Seam
Allowance Included



Lengthen or Shorten



Grain Line

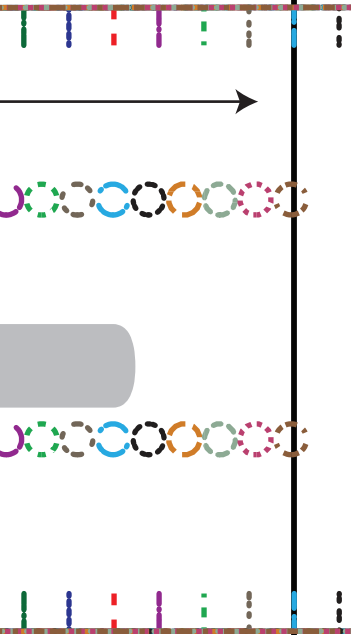
DD Cup
Placket

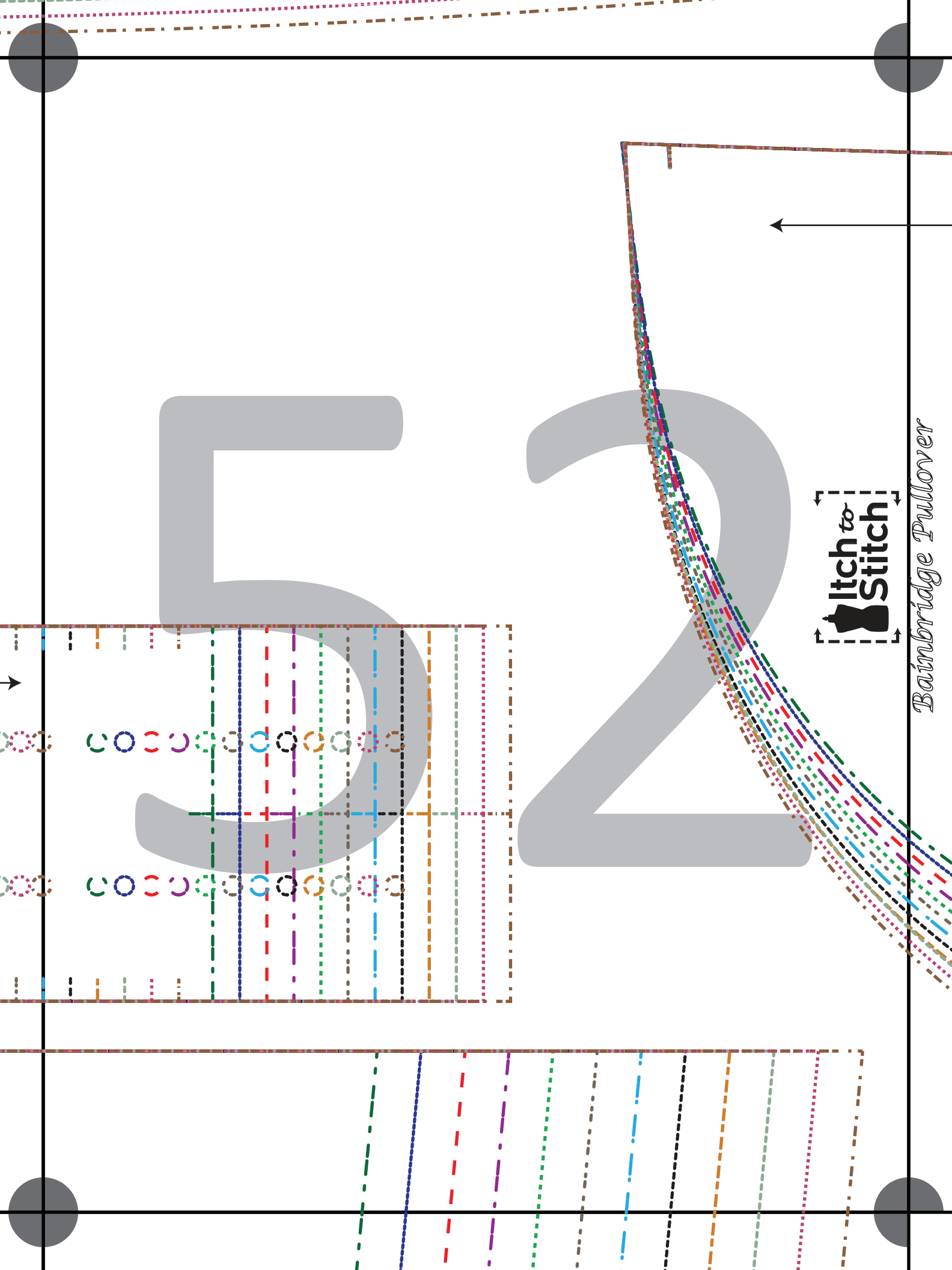
3

Itch to
Stitch

Bainbridge Pullover

Cut 2 Mirror Images





Itch to
Stitch

Bainbridge Pullover

Bainbridge Pullover

7

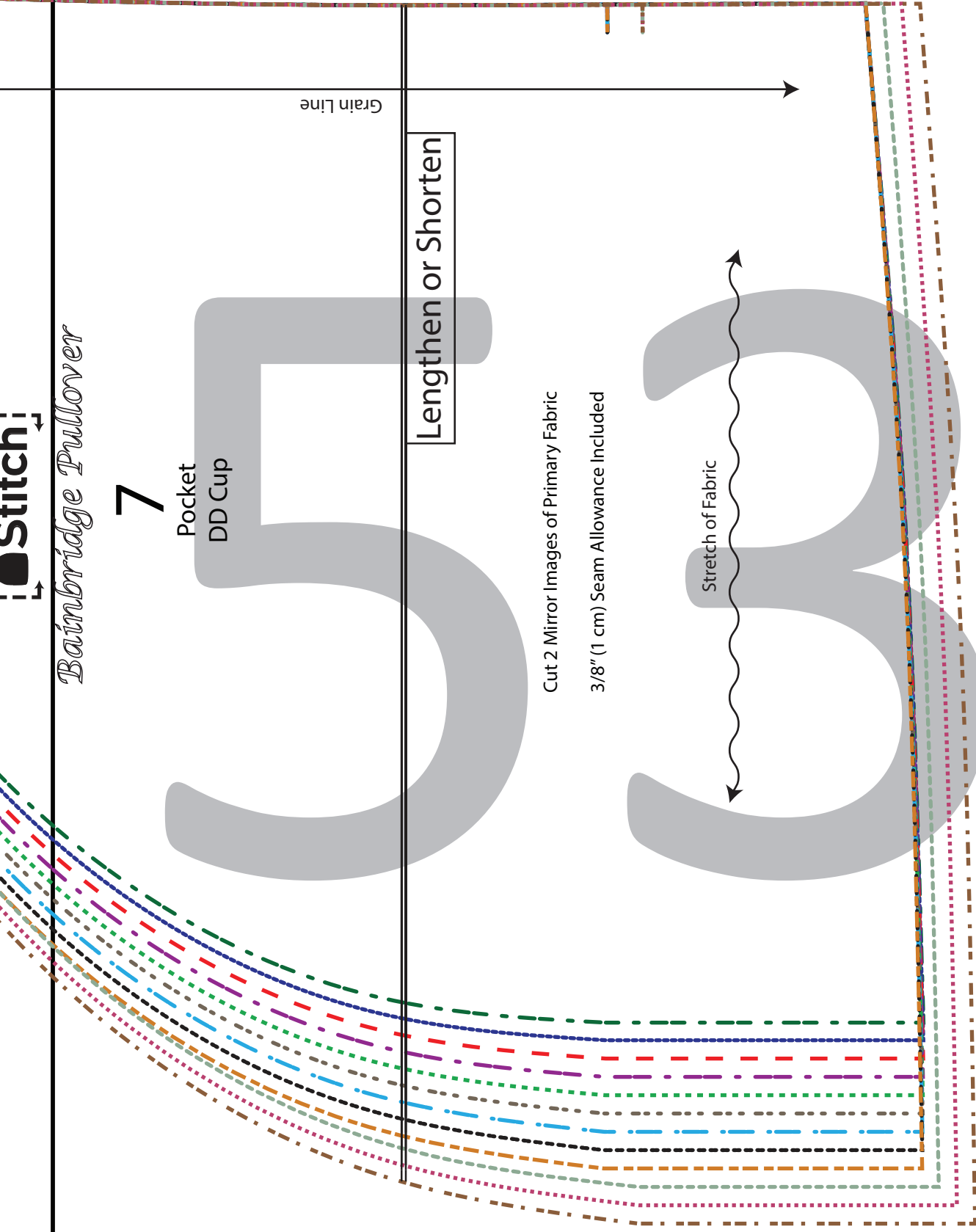
Pocket
DD Cup

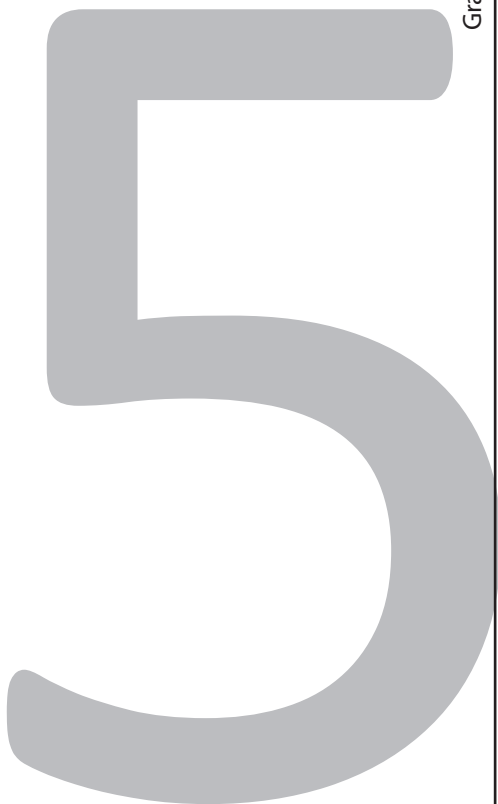
Grain Line

Lengthen or Shorten

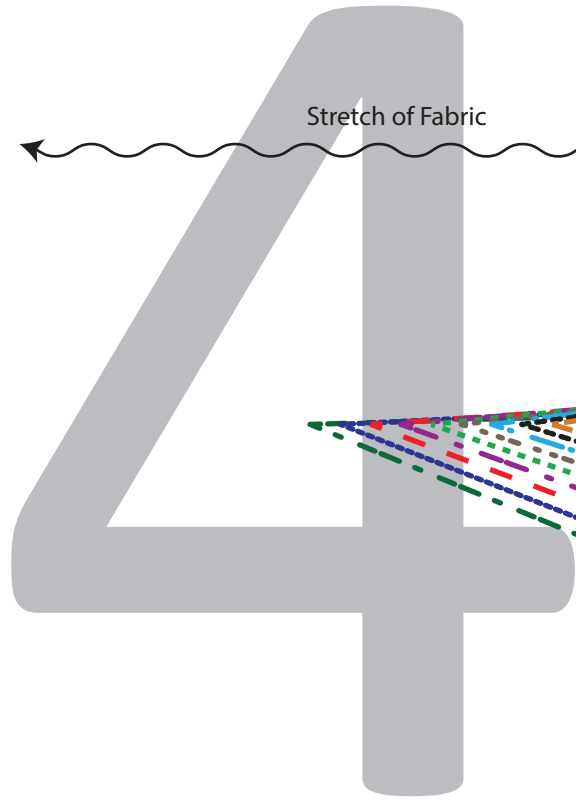
Cut 2 Mirror Images of Primary Fabric
3/8" (1 cm) Seam Allowance Included

Stretch of Fabric



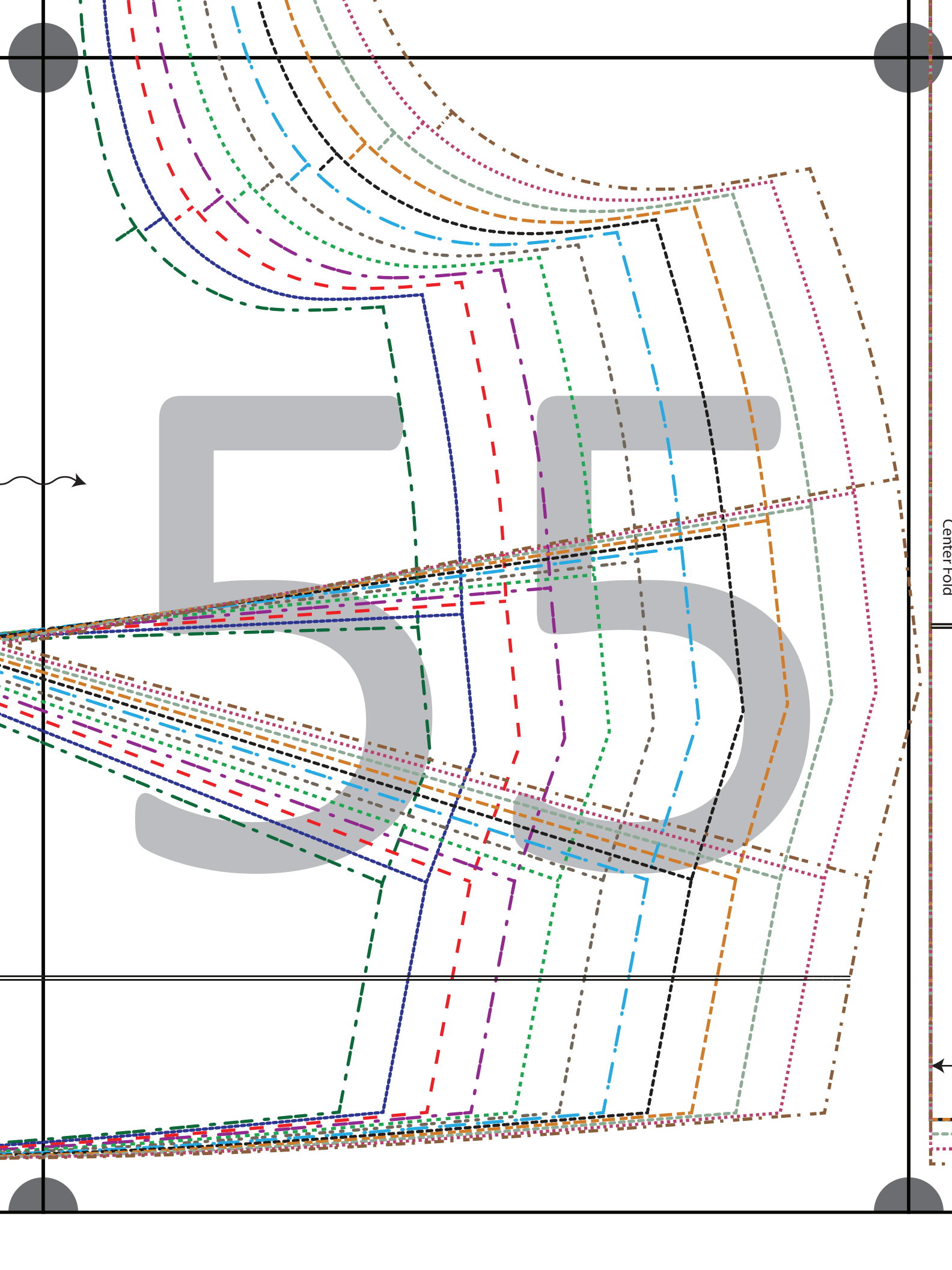


Grain Line



Stretch of Fabric

Lengthen or Shorten





Bainbridge Pullover

2

DD Cup
Bottom Front

Cut 1 of Primary Fabric on Fold

3/8" (1 cm) Seam Allowance Included

Lengthen or Shorten

Stretch of Fabric

Center Fold

Grain Line



